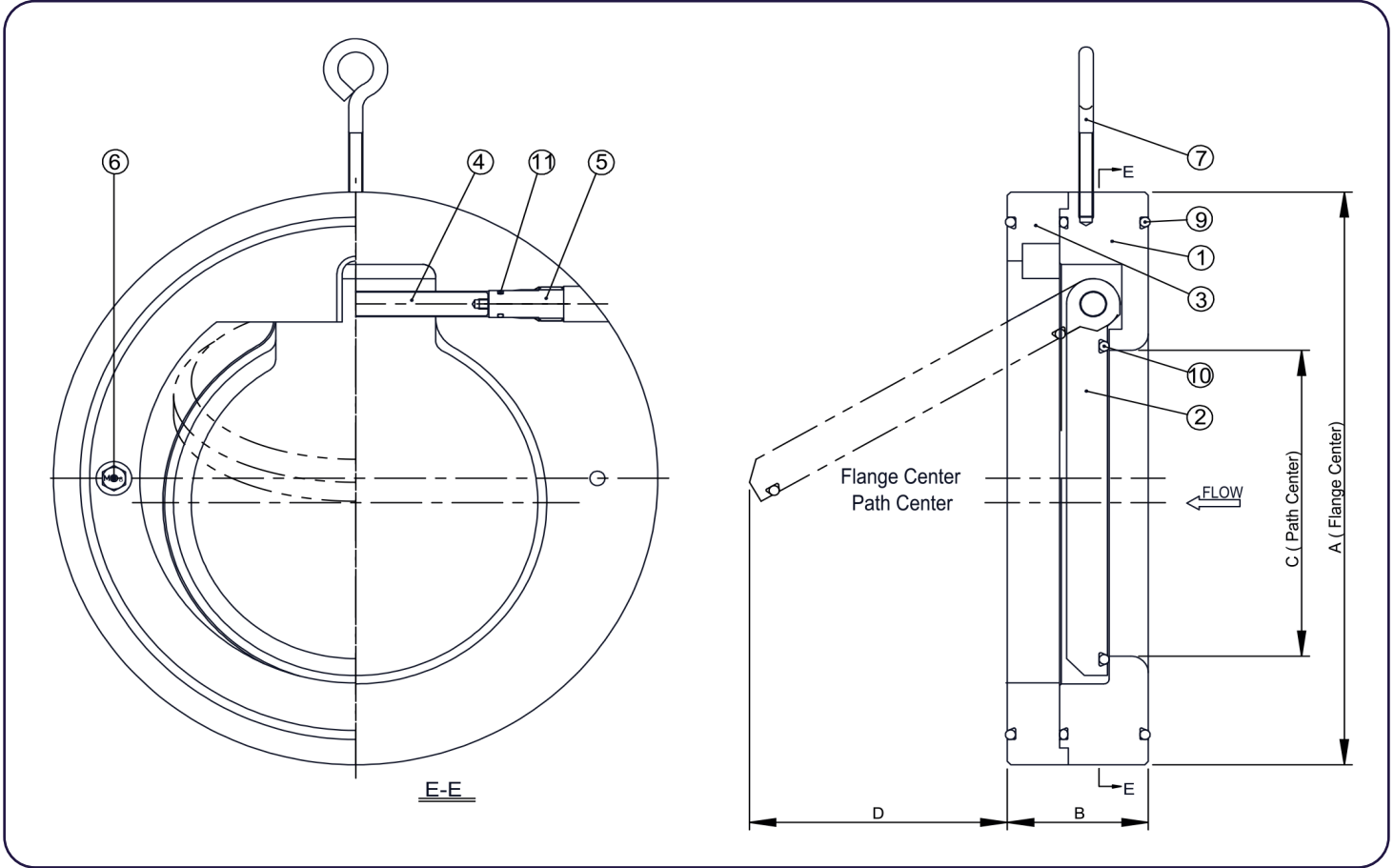


# Wafer Check Valve Dimensional Guide

**DIMENSIONS (SIZES 3" - 12" )(INCHES):**



Nominal Size		ANSI Class 150			
inch	mm	A	B	C	D
3	80	5.67	2.00	1.85	1.37
4	100	6.89	2.24	2.05	1.89
6	150	8.74	2.76	3.62	3.02
8	200	10.98	2.87	5.20	4.80
10	250	13.39	3.12	6.97	6.45
12	300	16.14	3.38	8.54	7.67

Note: The shape and appearance of assembly differ slightly with nominal size compared to the drawing.

# Wafer Check Valve Dimensional Guide

## PARTS LIST (SIZES 3" - 12"):

Parts List			
No.	Description	Pcs.	Material
1	Body	1	PVC
2	Disc	1	PVC
3	Stopper	1	PVC
4	Shaft	1	PVC
5	Shaft plug	1	PVC
6	AV bolt	2	PVC
7	L bolt	1	Stainless steel 400
8*	Spring	1	SWP-B with ETFE coating
9	O-ring (A)	3	EPDM, FKM
10	O-ring (B)	1	EPDM, FKM
11	O-ring (C)	1	EPDM, FKM

\* Item #8 used on spring type valve only