

Table of Contents

Series-19 On/Off

TYPE-14 DIAPHRAGM VALVE WITH SERIES 19 SMART ON/OFF 24 VAC/VDC ELECTRIC ACTUATOR	2
TYPE-14 DIAPHRAGM VALVE WITH SERIES 19 SMART ON/OFF 95 -265 VAC ELECTRIC ACTUATOR	4

Series-19 Modulating

TYPE-14 DIAPHRAGM VALVE WITH SERIES 19 SMART MODULATING 24 VAC/VDC ELECTRIC ACTUATOR	6
TYPE-14 DIAPHRAGM VALVE WITH SERIES 19 SMART MODULATING 95 -265 VAC ELECTRIC ACTUATOR	8

TYPE-14 DIAPHRAGM VALVE WITH SERIES 19 **SMART** ON/OFF ELECTRIC ACTUATOR (24 VAC/VDC)

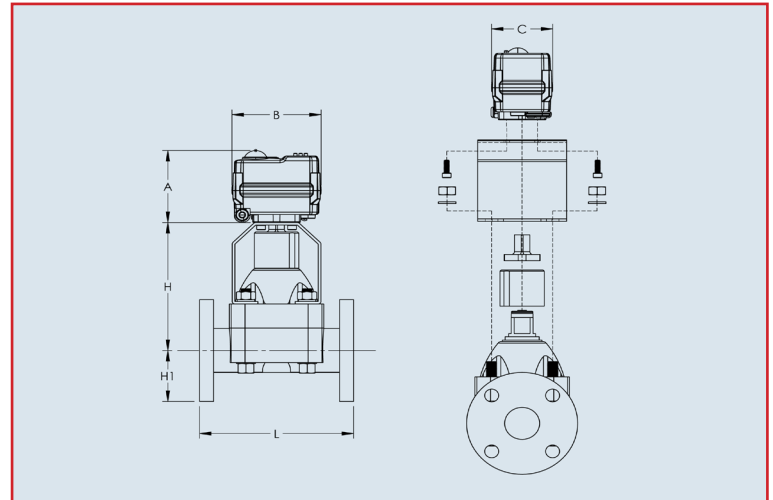


Standard Features (Sizes 1/2" - 4")

- **Compact:** Perfect for OEM and skid manufacturers
- **OLED Screen:** Displays valve position, alarms (such as an over torque condition)
- **Push Buttons:** Used to calibrate/adjust end positions, local controls
- **Multi-voltage:** 24 VDC for S20, 24 VAC/VDC multi-voltage for S50
- **Motor:** Reversing, brushless DC motor
- **Gear Train:** Permanently lubricated steel gears
- **Corrosion Resistant Enclosure:** NEMA 4X PC/PET enclosure with stainless steel trim
- **ISO mounting configuration**
- **Electrical Connection:** NEMA 4X cable gland with two-meter cable
- **Visual Position Indication:** Flat disc position indicator
- **LED Position Indication:** RED closed, GREEN open, BLUE fault
- **Manual Override:** Manually cycle valve via electroless nickel-plated hex key
- **Auxiliary Contacts:** Open and closed dry contacts rated 0.1 Amp @ 250 VAC, 0.5 Amp @ 30 VDC
- **Alarm Contact:** Dry contact rated 0.1 Amp @ 250 VAC, 0.5 Amp @ 30 VDC for alarm status (over torque, as an example)
- **QR Code:** Links to user manual; includes wiring schematic
- **Space Heater:** Internally wired to limit condensation
- **CE Compliant:** All actuators are CE labeled and compliant
- **75% Duty Cycle:** Extended duty cycle is ideal for high cycling applications
- **Simple Wiring:** Wiring technique is the same for all voltage units
- **Local Controls:** Used with OLED and push buttons, a user can locally open or close units via password

Specifications

Motor Type:	Reversing, brushless DC
Sizes:	S20 for 1/2" - 1-1/4" diaphragm valves S50 for 1-1/2" - 4" diaphragm valves
Torque:	177 in-lbs to 442 in-lbs
Voltage:	24 VDC for S20 24 VAC/VDC multi-voltage for S50
Amp Draw:	0.96 Amp for S20 1.2 Amp for S50
Max Ambient Temp:	150° F



Dimensions (inch)

Size	1/2"	3/4"	1"	1-1/4"	1-1/2"	2"	2-1/2"	3"	4"
H	3.65	3.73	3.97	4.11	6.28	6.90	9.52	10.25	11.00
H1	1.75	1.94	2.12	2.31	2.50	3.00	3.50	3.75	4.50
L	4.25	5.88	5.88	6.38	6.94	7.94	9.84	10.38	12.94
A	3.54	3.54	3.54	3.54	4.76	4.76	4.76	4.76	4.76
B	4.01	4.01	4.01	4.01	5.31	5.31	5.31	5.31	5.31
C	2.76	2.76	2.76	2.76	4.57	4.57	4.57	4.57	4.57
MODEL	S20MT	S20MT	S20MT	S20MT	S50MT	S50MT	S50MT	S50MT	S50MT

See catalog for L dimension of true union valves (1/2" - 2")

Engineering Data

Size	Model	Torque (in/lbs)	24 VAC/VDC		Cycle time (seconds)*	Weight (lbs)
			Amp Draw	Duty Cycle		
1/2"	S20MTHM2W	177	.96	75%	13	3.4
3/4"	S20MTHM2W	177	.96	75%	13	3.6
1"	S20MTHM2W	177	.96	75%	13	4.1
1-1/4"	S20MTHM2W	177	.96	75%	13	4.8
1-1/2"	S50MTHM2W	442	1.2	75%	68	9.8
2"	S50MTHM2W	442	1.2	75%	84	11.6
2-1/2"	S50MTHM2W	442	1.2	75%	100	17.9
3"	S50MTHM2W	442	1.2	75%	100	20.2
4"	S50MTHM2W	442	1.2	75%	100	29.4

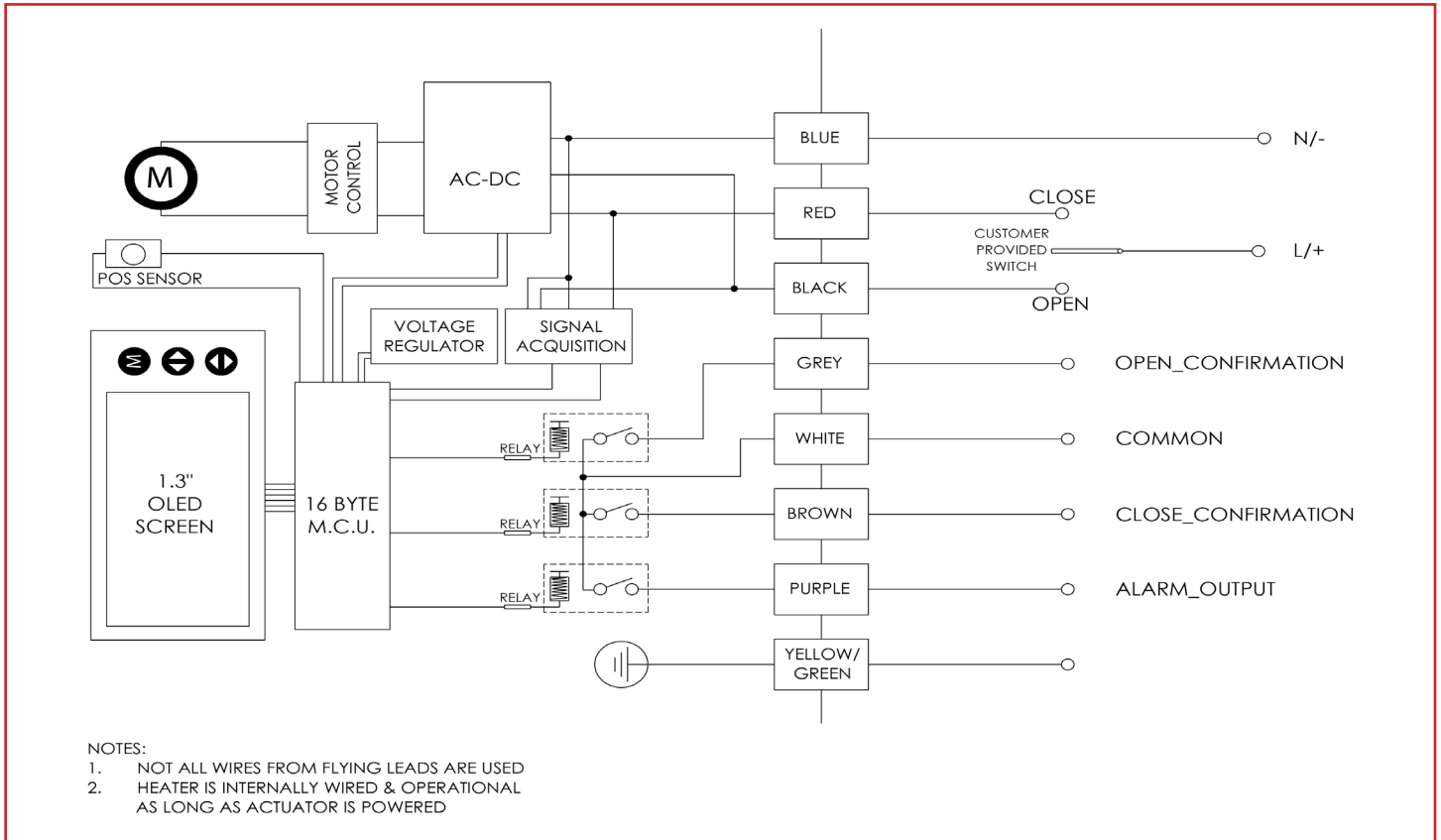
Amp draw is considered locked rotor

*Cycle times are approximate

Duty cycle shown for ambient temp (73° F)

TYPE-14 DIAPHRAGM VALVE WITH SERIES 19 **SMART** ON/OFF ELECTRIC ACTUATOR (24 VAC/VDC)

Wiring Diagram

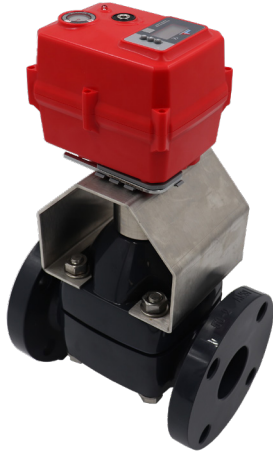


Sample Specifications

All Series 19 SAV smart on/off multiturn electric actuators shall have a brushless DC motor that accepts multiple voltages, permanently lubricated steel gears, NEMA 4X PC/PET enclosure with stainless steel trim, visual position indication, ISO 5211 valve mounting platform, manual override, and be CE compliant. Standard features shall include a heater, one set of dry contacts for PLC confirmation, one set of dry contacts for alarm reporting, LED indicator for position and alarm conditions, an OLED screen with push buttons, local controls, and a QR code that links to its user manual and wiring schematic.



TYPE-14 DIAPHRAGM VALVE WITH SERIES 19 **SMART** ON/OFF ELECTRIC ACTUATOR (95-265 VAC)

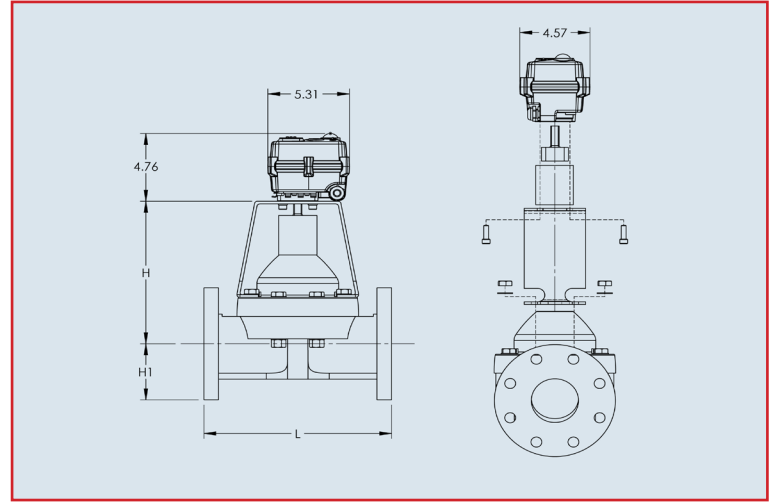


Specifications

Motor Type:	Reversing, brushless DC
Sizes:	S50 for 1/2" – 4" diaphragm valves
Torque:	442 in-lbs
Voltage:	95 VAC to 265 VAC multi-voltage
Amp Draw:	0.24 Amp for S50
Max Ambient Temp:	150° F

Standard Features (Sizes 1/2" – 4")

- **Compact:** Perfect for OEM and skid manufacturers
- **OLED Screen:** Displays valve position, alarms (such as an over torque condition)
- **Push Buttons:** Used to calibrate/adjust end positions, local controls
- **Multi-voltage:** 95 VAC to 265 VAC
- **Motor:** Reversing, brushless DC motor
- **Gear Train:** Permanently lubricated steel gears
- **Corrosion Resistant Enclosure:** NEMA 4X PC/PET enclosure with stainless steel trim
- **ISO mounting configuration**
- **Electrical Connection:** NEMA 4X cable gland with two-meter cable
- **Visual Position Indication:** Flat disc position indicator
- **LED Position Indication:** RED closed, GREEN open, BLUE fault
- **Manual Override:** Manually cycle valve via electroless nickel-plated hex key
- **Auxiliary Contacts:** Open and closed dry contacts rated 0.1 Amp @ 250 VAC, 0.5 Amp @ 30 VDC
- **Alarm Contact:** Dry contact rated 0.1 Amp @ 250 VAC, 0.5 Amp @ 30 VDC for alarm status (over torque, as an example)
- **QR Code:** Links to user manual; includes wiring schematic
- **Space Heater:** Internally wired to limit condensation
- **CE Compliant:** All actuators are CE labeled and compliant
- **75% Duty Cycle:** Extended duty cycle is ideal for high cycling applications
- **Simple Wiring:** Wiring technique is the same for all voltage units
- **Local Controls:** Used with OLED and push buttons, a user can locally open or close units via password



Dimensions (inch)

Size	1/2"	3/4"	1"	1-1/4"	1-1/2"	2"	2-1/2"	3"	4"
H	3.65	3.73	3.97	4.11	6.28	6.90	9.52	10.25	11.00
H1	1.75	1.94	2.12	2.31	2.50	3.00	3.50	3.75	4.50
L	4.25	5.88	5.88	6.38	6.94	7.94	9.84	10.38	12.94
MODEL	S50MT	S50MT	S50MT	S50MT	S50MT	S50MT	S50MT	S50MT	S50MT

See catalog for L dimension of true union valves

Engineering Data

Size	Model	Torque (in/lbs)	95-265 VAC		Cycle time (seconds)*	Weight (lbs)
			Amp Draw	Duty Cycle		
1/2"	S50MTHM2W	442	.24	75%	52	5.1
3/4"	S50MTHM2W	442	.24	75%	52	5.4
1"	S50MTHM2W	442	.24	75%	52	5.9
1-1/4"	S50MTHM2W	442	.24	75%	52	6.6
1-1/2"	S50MTHM2W	442	.24	75%	68	9.8
2"	S50MTHM2W	442	.24	75%	84	11.6
2-1/2"	S50MTHM2W	442	.24	75%	100	17.9
3"	S50MTHM2W	442	.24	75%	100	20.2
4"	S50MTHM2W	442	.24	75%	100	29.4

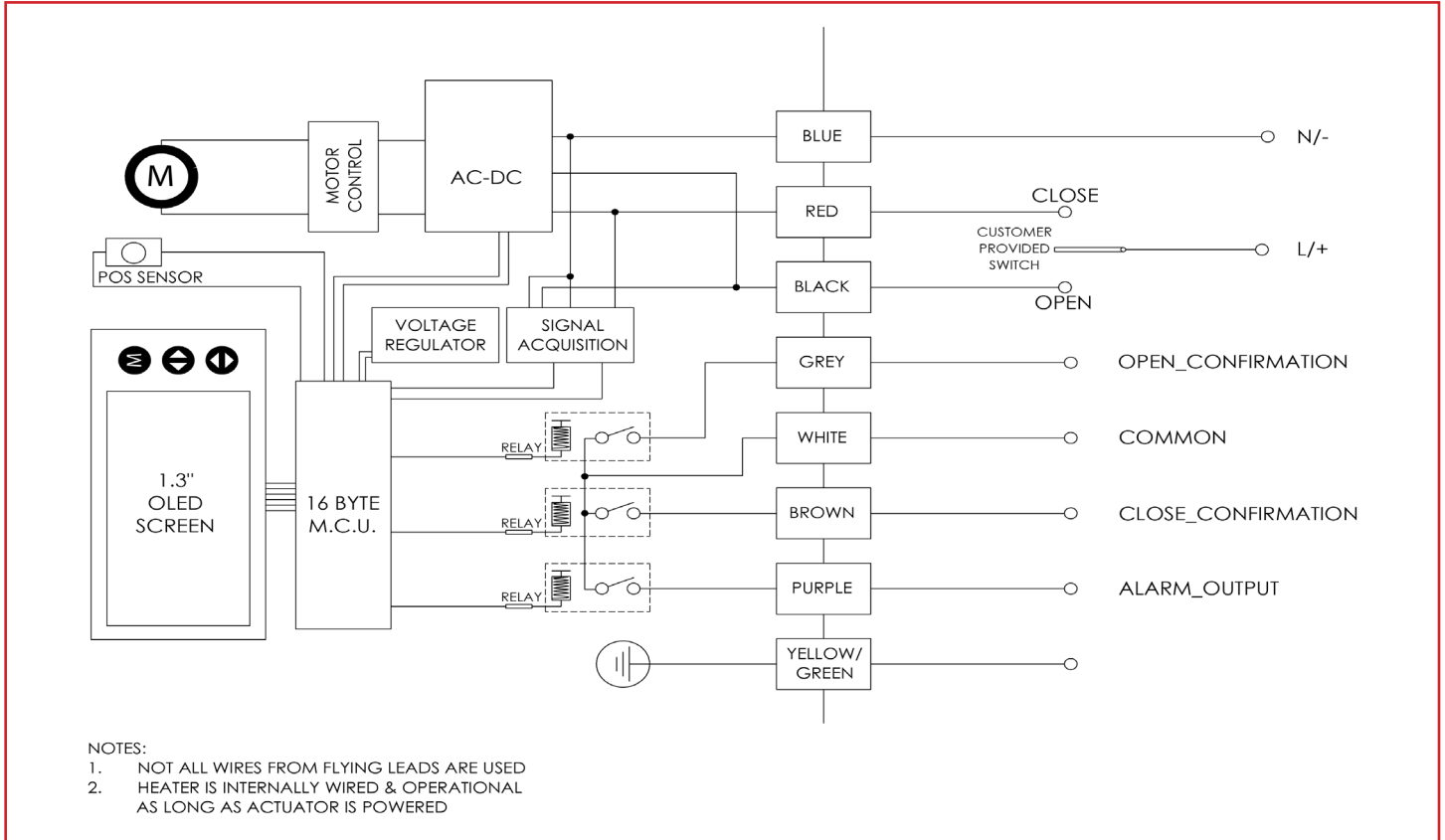
Amp draw is considered locked rotor

*Cycle times are approximate

Duty cycle shown for ambient temp (73° F)

TYPE-14 DIAPHRAGM VALVE WITH SERIES 19 **SMART** ON/OFF ELECTRIC ACTUATOR (95-265 VAC)

Wiring Diagram



Sample Specifications

All Series 19 SAV smart on/off multiturn electric actuators shall have a brushless DC motor that accepts multiple voltages, permanently lubricated steel gears, NEMA 4X PC/PET enclosure with stainless steel trim, visual position indication, ISO 5211 valve mounting platform, manual override, and be CE compliant. Standard features shall include a heater; one set of dry contacts for PLC confirmation, one set of dry contacts for alarm reporting, LED indicator for position and alarm conditions, an OLED screen with push buttons, local controls, and a QR code that links to its user manual and wiring schematic.



TYPE-14 DIAPHRAGM VALVE WITH SERIES 19 **SMART** MODULATING ELECTRIC ACTUATOR (24 VAC/VDC)

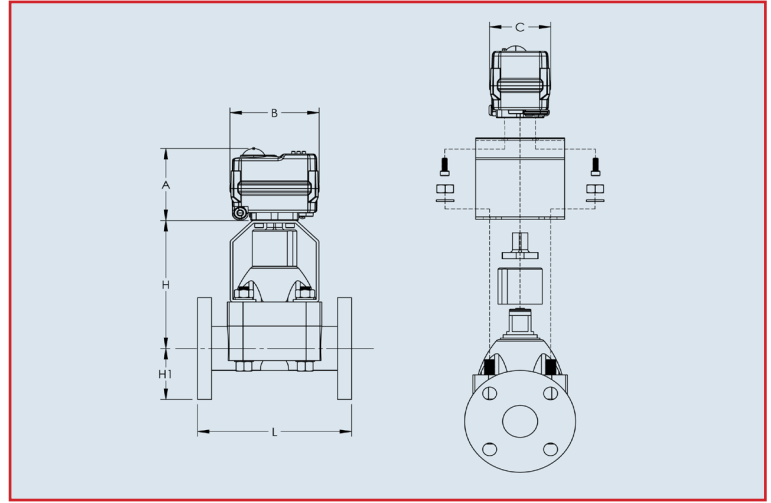


Specifications

Motor Type:	Reversing, brushless DC
Sizes:	S20 for 1/2" - 1-1/4" diaphragm valves S50 for 1-1/2" - 4" diaphragm valves
Torque:	177 in-lbs to 442 in-lbs
Voltage:	24 VDC for S20 24 VAC/VDC multi-voltage for S50
Amp Draw:	0.96 Amp for S20 1.2 Amp for S50
Max Ambient Temp:	150° F

Standard Features (Sizes 1/2" - 4")

- **Compact:** Perfect for OEM and skid manufacturers
- **OLED Screen:** Displays input command, position status, alert conditions
- **Push Buttons:** Used to calibrate, local controls
- **Multi-voltage:** 24 VDC for S20, 24 VAC/VDC multi-voltage for S50
- **Motor:** Reversing, brushless DC motor
- **Gear Train:** Permanently lubricated steel gears
- **Corrosion Resistant Enclosure:** NEMA 4X PC/PET enclosure with stainless steel trim
- **Electrical Connection:** NEMA 4X cable gland with two-meter cable
- **Visual Position Indication:** Flat disc position indicator
- **LED Position Indication:** RED closed, GREEN open, BLUE fault
- **Manual Override:** Manually cycle valve via electroless nickel-plated hex key
- **Selectable Control Signal:** User can select 4-20 mA, 0-20 mA, 0-10 VDC, 2-10 VDC, or 1-5 VDC (size 20 is specifically a current control signal or a voltage control signal)
- **Reverse Acting:** User can select standard operation or reverse acting
- **Selectable Fail Position:** If control signal is lost, the unit can be calibrated to fail as is, fail open, or fail close
- **Transmitter:** Current or voltage transmitter (matching the control signal) is standard equipment
- **Alarm Contact:** Dry contact rated 0.1 Amp @ 250 VAC, 0.5 Amp @ 30 VDC for alarm status (over torque, as an example)
- **QR Code:** Links to user manual; includes wiring schematic
- **Space Heater:** Internally wired to limit condensation
- **CE Compliant:** All actuators are CE labeled and compliant
- **75% Duty Cycle:** Extended duty cycle is ideal for high cycling applications
- **Simple Wiring:** Wiring technique is the same for all voltage units
- **Local Controls:** Used with OLED and push buttons, a user can locally open or close units via password



Dimensions (inch)

Size	1/2"	3/4"	1"	1-1/4"	1-1/2"	2"	2-1/2"	3"	4"
H	3.65	3.73	3.97	4.11	6.28	6.90	9.52	10.25	11.00
H1	1.75	1.94	2.12	2.31	2.50	3.00	3.50	3.75	4.50
L	4.25	5.88	5.88	6.38	6.94	7.94	9.84	10.38	12.94
A	3.54	3.54	3.54	3.54	4.76	4.76	4.76	4.76	4.76
B	4.01	4.01	4.01	4.01	5.31	5.31	5.31	5.31	5.31
C	2.76	2.76	2.76	2.76	4.57	4.57	4.57	4.57	4.57
MODEL	S20MT	S20MT	S20MT	S20MT	S50MT	S50MT	S50MT	S50MT	S50MT

See catalog for L dimension of true union valves (1/2" - 2")

Engineering Data

Size	Model	Torque (in/lbs)	24 VAC/VDC		Cycle time (seconds)*	Weight (lbs)
			Amp Draw	Duty Cycle		
1/2"	S20MTHC1C3W	177	.96	75%	13	3.4
3/4"	S20MTHC1C3W	177	.96	75%	13	3.6
1"	S20MTHC1C3W	177	.96	75%	13	4.1
1-1/4"	S20MTHC1C3W	177	.96	75%	13	4.8
1-1/2"	S50MTHC1C3W	442	1.2	75%	68	9.8
2"	S50MTHC1C3W	442	1.2	75%	84	11.6
2-1/2"	S50MTHC1C3W	442	1.2	75%	100	17.9
3"	S50MTHC1C3W	442	1.2	75%	100	20.2
4"	S50MTHC1C3W	442	1.2	75%	100	29.4

Amp draw is considered locked rotor

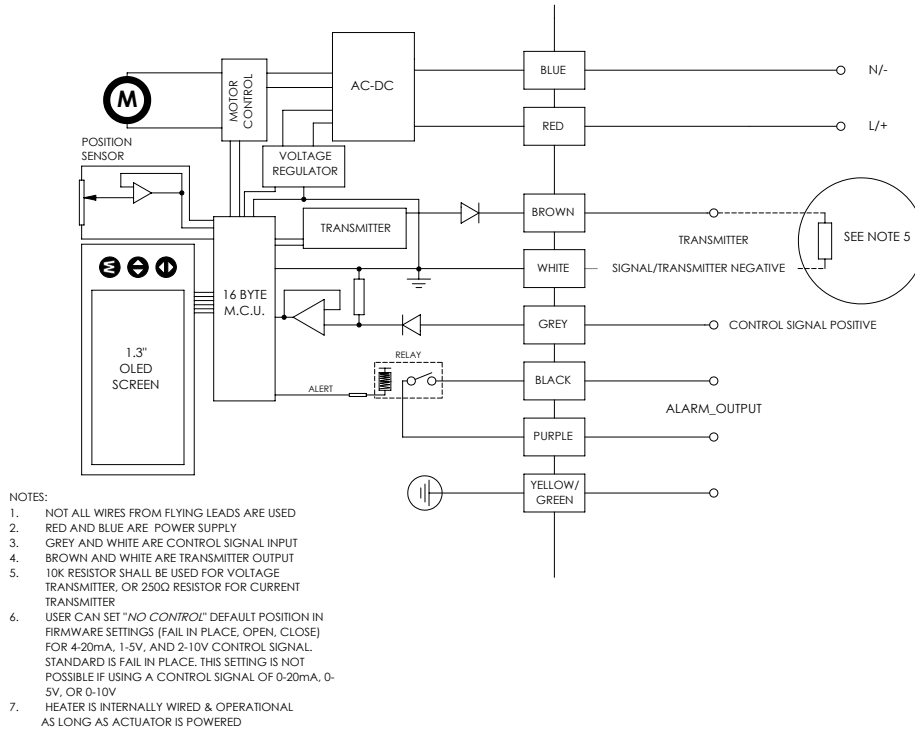
*Cycle times are approximate

Duty cycle shown for ambient temp (73° F)

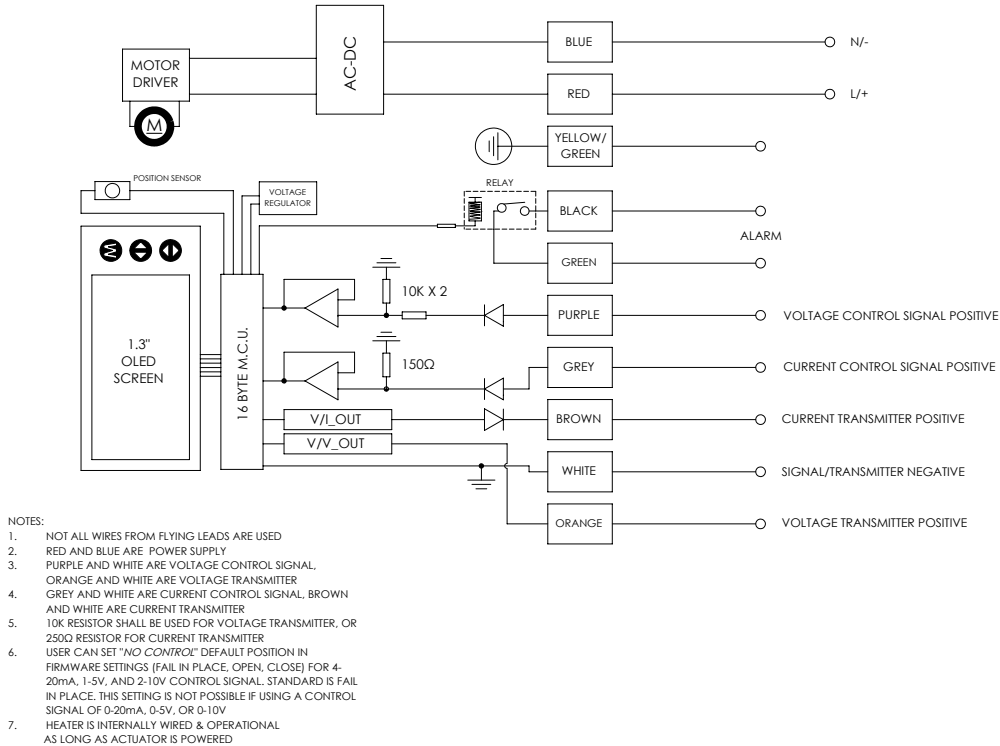
TYPE-14 DIAPHRAGM VALVE WITH SERIES 19 **SMART** MODULATING ELECTRIC ACTUATOR (24 VAC/VDC)

Wiring Diagrams

S20



S50-S110



Sample Specification

All Series 19 SAV smart modulating multiturn electric actuators shall have a brushless DC motor that accepts multiple voltages, permanently lubricated steel gears, NEMA 4X PC/PET enclosure with stainless steel trim, visual position indication, ISO 5211 valve mounting platform, manual override, and be CE compliant. Standard features shall include a heater, transmitter, field selection of various control signals, field selection of fail position (upon loss of control signal), one set of dry contacts for alarm reporting, LED indicator for position and alarm conditions, an OLED screen with push buttons, local controls, and a QR code that links to its user manual and wiring schematic.

TYPE-14 DIAPHRAGM VALVE WITH SERIES 19 SMART MODULATING ELECTRIC ACTUATOR (95-265 VAC)

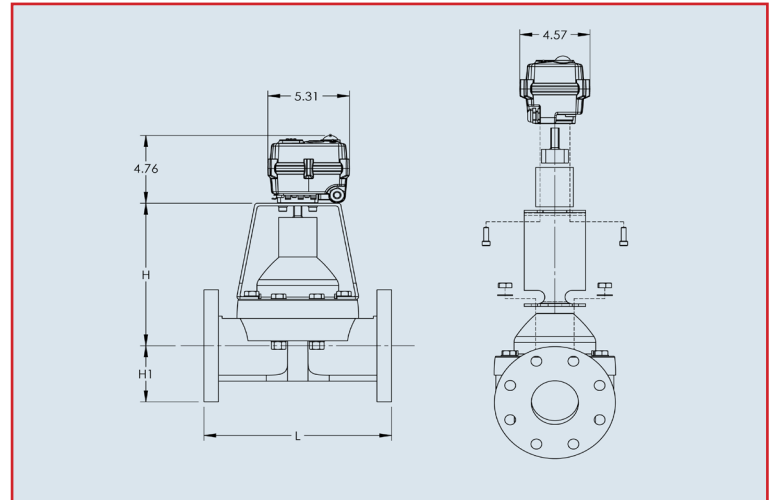


Specifications

Motor Type:	Reversing, brushless DC
Sizes:	S50 for 1/2" – 4" diaphragm valves
Torque:	442 in-lbs
Voltage:	95 VAC to 265 VAC multi-voltage
Amp Draw:	0.24 Amp for S50
Max Ambient Temp:	150° F

Standard Features (Sizes 1/2" – 4")

- **Compact:** Perfect for OEM and skid manufacturers
- **OLED Screen:** Displays input command, position status, alert conditions
- **Push Buttons:** Used to calibrate, local controls
- **Multi-voltage:** 95 VAC to 265 VAC
- **Motor:** Reversing, brushless DC motor
- **Gear Train:** Permanently lubricated steel gears
- **Corrosion Resistant Enclosure:** NEMA 4X PC/PET enclosure with stainless steel trim
- **Electrical Connection:** NEMA 4X cable gland with two-meter cable
- **Visual Position Indication:** Flat disc position indicator
- **LED Position Indication:** RED closed, GREEN open, BLUE fault
- **Manual Override:** Manually cycle valve via electroless nickel-plated hex key
- **Selectable Control Signal:** User can select 4-20 mA, 0-20 mA, 0-10 VDC, or 1-5 VDC
- **Reverse Acting:** User can select standard operation or reverse acting
- **Selectable Fail Position:** If control signal is lost, the unit can be calibrated to fail as is, fail open, or fail close
- **Transmitter:** Current or voltage transmitter (matching the control signal) is standard equipment
- **Alarm Contact:** Dry contact rated 0.1 Amp @ 250 VAC, 0.5 Amp @ 30 VDC for alarm status (over torque, as an example)
- **QR Code:** Links to user manual; includes wiring schematic
- **Space Heater:** Internally wired to limit condensation
- **CE Compliant:** All actuators are CE labeled and compliant
- **75% Duty Cycle:** Extended duty cycle is ideal for high cycling applications
- **Simple Wiring:** Wiring technique is the same for all voltage units
- **Local Controls:** Used with OLED and push buttons, a user can locally open or close units via password



Dimensions (inch)

Size	1/2"	3/4"	1"	1-1/4"	1-1/2"	2"	2-1/2"	3"	4"
H	3.65	3.73	3.97	4.11	6.28	6.90	9.52	10.25	11.00
H1	1.75	1.94	2.12	2.31	2.50	3.00	3.50	3.75	4.50
L	4.25	5.88	5.88	6.38	6.94	7.94	9.84	10.38	12.94
MODEL	S50MT	S50MT	S50MT	S50MT	S50MT	S50MT	S50MT	S50MT	S50MT

See catalog for L dimension of true union valves

Engineering Data

Size	Model	Torque (in/lbs)	95-265 VAC		Cycle time (seconds)*	Weight (lbs)
			Amp Draw	Duty Cycle		
1/2"	S50MTHC1C3W	442	.24	75%	52	5.1
3/4"	S50MTHC1C3W	442	.24	75%	52	5.4
1"	S50MTHC1C3W	442	.24	75%	52	5.9
1-1/4"	S50MTHC1C3W	442	.24	75%	52	6.6
1-1/2"	S50MTHC1C3W	442	.24	75%	68	9.8
2"	S50MTHC1C3W	442	.24	75%	84	11.6
2-1/2"	S50MTHC1C3W	442	.24	75%	100	17.9
3"	S50MTHC1C3W	442	.24	75%	100	20.2
4"	S50MTHC1C3W	442	.24	75%	100	29.4

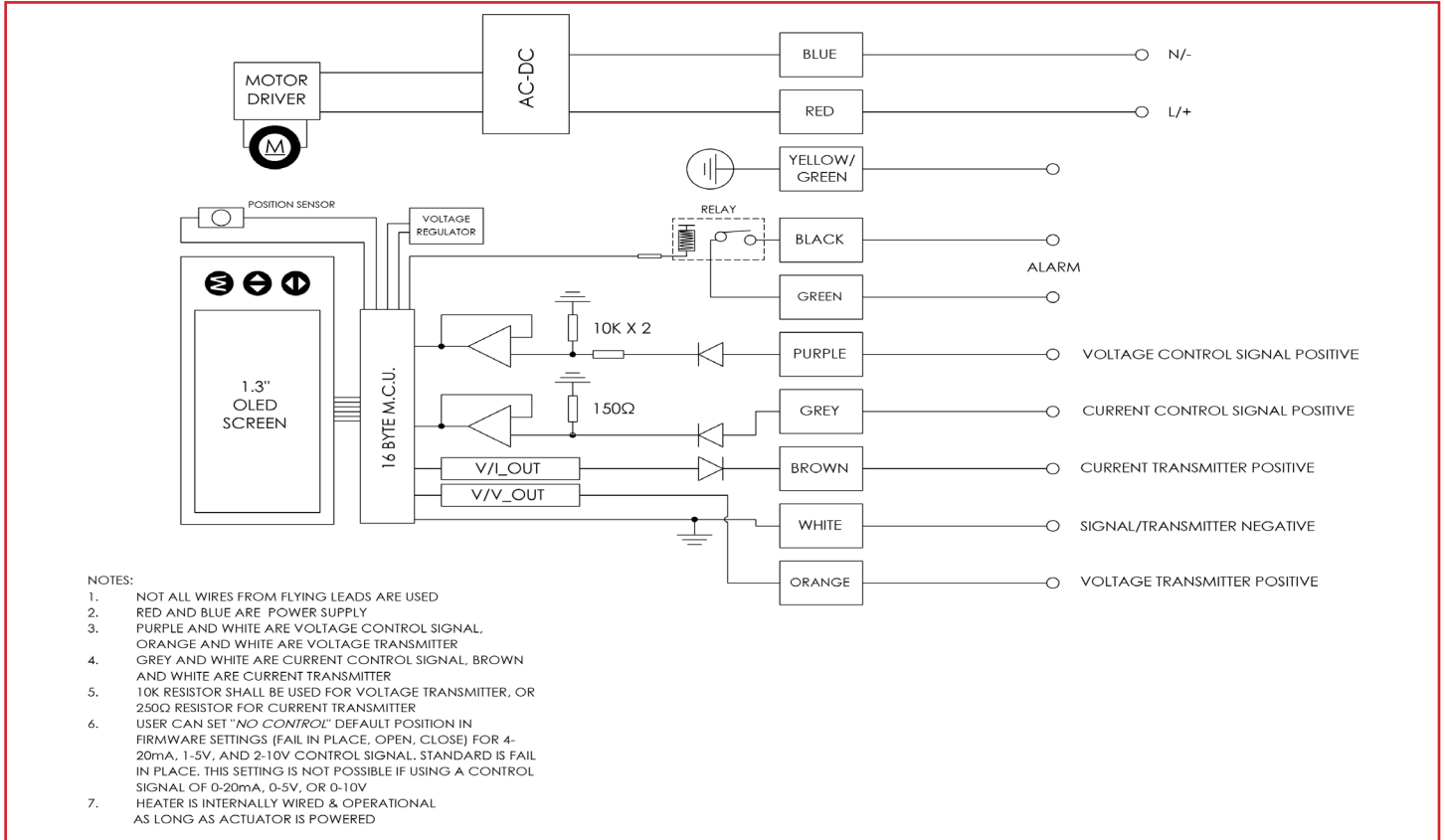
Amp draw is considered locked rotor

*Cycle times are approximate

Duty cycle shown for ambient temp (73° F)

TYPE-14 DIAPHRAGM VALVE WITH SERIES 19 **SMART** MODULATING ELECTRIC ACTUATOR (95-265 VAC)

Wiring Diagram



Sample Specifications

All Series 19 SAV smart modulating multiturn electric actuators shall have a brushless DC motor that accepts multiple voltages, permanently lubricated steel gears, NEMA 4X PC/PET enclosure with stainless steel trim, visual position indication, ISO 5211 valve mounting platform, manual override, and be CE compliant. Standard features shall include a heater, transmitter, field selection of various control signals, field selection of fail position (upon loss of control signal), one set of dry contacts for alarm reporting, LED indicator for position and alarm conditions, an OLED screen with push buttons, local controls, and a QR code that links to its user manual and wiring schematic.

