

# TYPE-14 A/P PNEUMATIC DIAPHRAGM VALVE W/ SOLENOID



## TECHNICAL SPECIFICATION:

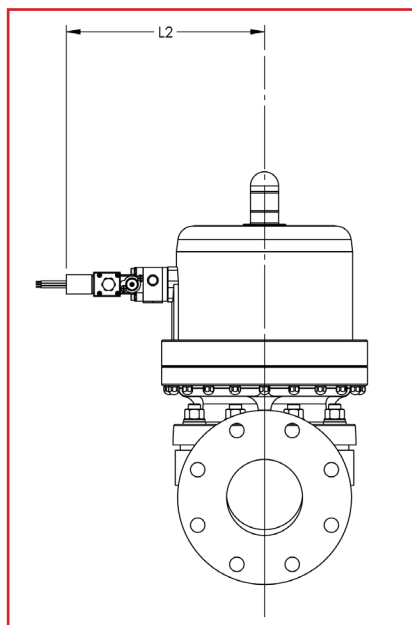
<b>Voltage:</b>	120 VAC 50/60Hz
<b>Watts:</b>	6.3
<b>Body:</b>	Polyamide
<b>Bracket:</b>	304 Stainless steel
<b>Fasteners:</b>	304 Stainless steel
<b>Protection:</b>	NEMA Type 4X
<b>Electrical Connection:</b>	1/2" NPT Conduit

## FEATURES:

- Combination 3-way / 4-way
- NAMUR mount
- Polyamide body
- Stainless steel trim
- Manual override of the solenoid
- Easily adjustable speed controls
- NEMA Type 4X protection
- 120 VAC 50/60Hz

## OPTIONS:

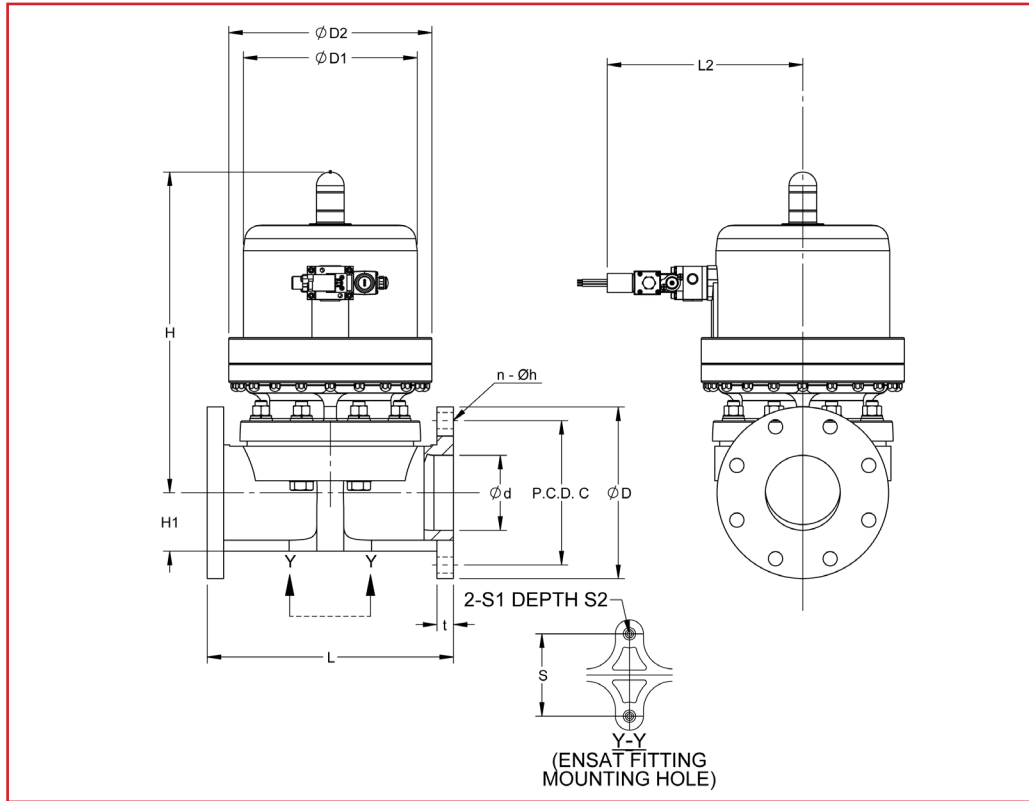
- Voltages: 12 VDC, 24 VDC, 24 VAC, 220 VAC
- ExProof (NEMA 7) coils



Nominal Size		L2
inch	mm	
2-1/2	65	10.29
3	80	10.61
4	100	11.48

# TYPE-14 A/P PNEUMATIC DIAPHRAGM VALVE W/ SOLENOID

## DIMENSIONS:



Nominal Size		d	ANSI Class 150				D1	D2	L	L2	Lift	t		H		H1	S	S1	S2
inch	mm		D	C	n	h						PVC CPVC	PP PVDF	Air-to-Air	Spring-to-Close				
2-1/2	65	2.64	7.00	5.50	4.00	0.75	8.50	10.04	9.84	10.29	1.34	0.87	0.91	13.90	13.90	2.40	3.35	M8	0.59
3	80	3.07	7.50	6.00	4.00	0.75	9.13	10.67	11.02	10.61	1.65	0.87	0.91	14.80	15.31	2.48	3.94	M12	0.87
4	100	3.94	9.00	7.50	8.00	0.75	10.87	12.40	13.39	11.48	1.97	0.87	0.94	16.85	17.76	3.07	4.72	M12	0.87

## PRESSURE VS. TEMPERATURE (psi, water, non-shock)

Nominal Size		PVC		CPVC				PP				PVDF			
		All Diaphragms		All Diaphragms				All Diaphragms				PTFE Diaphragm			
		30° F 105° F	106° F 140° F	30° F 105° F	106° F 140° F	141° F 175° F	176° F 195° F	-5° F 105° F	106° F 140° F	141° F 175° F	176° F 195° F	-40° F 140° F	141° F 175° F	176° F 210° F	211° F 250° F
inch	mm														
2-1/2	65	150	115	150	120	95	85	150	120	95	85	150	115	85	70
3	80	150	115	150	120	95	85	150	120	95	85	150	115	85	70
4	100	150	115	150	120	95	85	150	120	95	85	150	115	85	70

## CAUTION:

- After replacing diaphragm, do not tighten bolts for bonnet and body with diaphragm in the closed position
- Excessive force could damage bonnet or body
- Fully vacuum-rated at 2-1/2"
- Never remove valve from pipeline under pressure
- Always wear protective gloves and goggles

Vacuum Rating		
inch	Rubber Diaphragms (inch)	PTFE Diaphragms (inch)
3	-25.59	-9.84
4	-19.69	-3.94