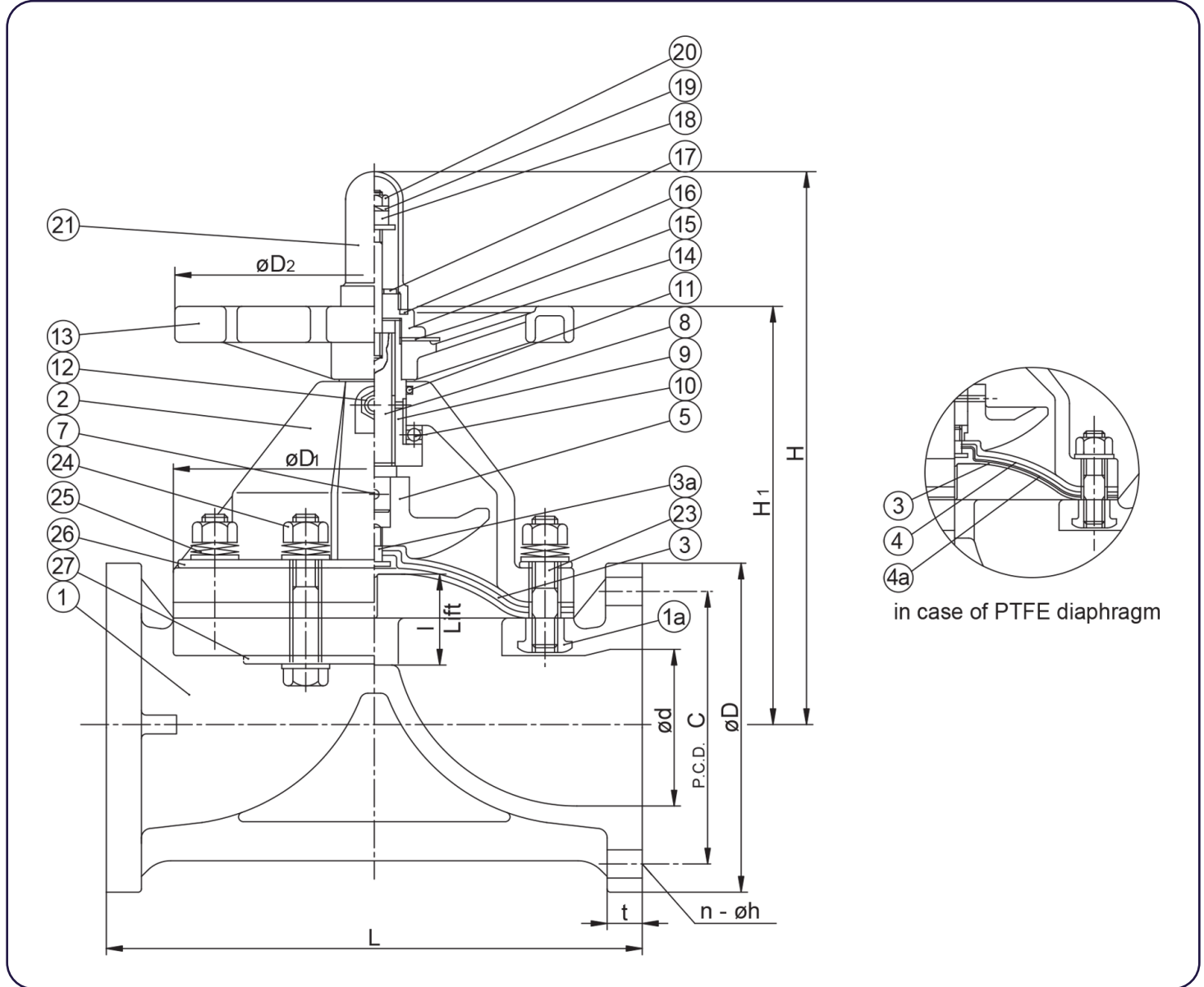


Type-G Diaphragm Valve Dimensional Guide

DIMENSIONS (SIZES 8" - 10")(INCHES):



Nominal Size		ANSI Class 150					L	t		D1	D2	l	H	H1
inch	mm	d	C	D	n	h		PVC	PP, PVDF					
8	200	7.72	11.75	13.50	8	0.88	22.24	1.10	1.26	16.93	16.14	3.74	24.69	16.50
10	250	9.72	14.25	16.00	12	0.98	26.77	1.18	1.46	21.26	22.05	5.04	30.63	20.08

Note: The shape and appearance of assembly differ slightly with nominal size compared to the drawing.

Type-G Diaphragm Valve Dimensional Guide

PARTS LIST (SIZES 8" - 10"):

Parts List			
No.	Description	Pcs.	Material
1	Body	1	PVC, PP, PVDF
2	Bonnet	1	PVC, PPG, PP, PVDF
3	Diaphragm	1	EPDM, PTFE, others
3a	Diaphragm metal insert	1	Stainless steel 304
4	Cushion*	1	EPDM
4a	PVDF gas barrier*	1	PVDF
5	Compressor	1	PVDF
7	Pin	1	Stainless steel 304
8	Stem	1	Copper alloy
9	Sleeve	1	Copper alloy
10	Thrust bearing (A)	1	High carbon chromium bearing
11	O-ring	1	NBR
12	Grease nipple	1	Copper alloy
13	Handwheel	1	PP
14	Nameplate	1	PVC
15	Cap	1	PP
16	Sheet gasket	1	EPDM
17	Sheet ring	1	Stainless steel 304
18	Stopper	1	Chromized steel
20	Nut	1	Stainless steel 304
21	Gauge cover	1	Polycarbonate
23	Stud bolt, nut	-	Stainless steel 304, others
24	Bolt, nut, washer	-	Stainless steel 304, others
25	Conical spring washer	-	Stainless steel 304, others ¹
26	Upper bonnet liner	1 set	Stainless steel 304, others ²
27	Body liner	1 set	Stainless steel 304, others ²
1a	Inserted nut	4	Stainless steel 304 ¹
			Copper alloy ³

* Used on PTFE diaphragm

¹ Used for PVDF body

² Used for PP and PVDF bodies

³ Used for PVC and PP bodies