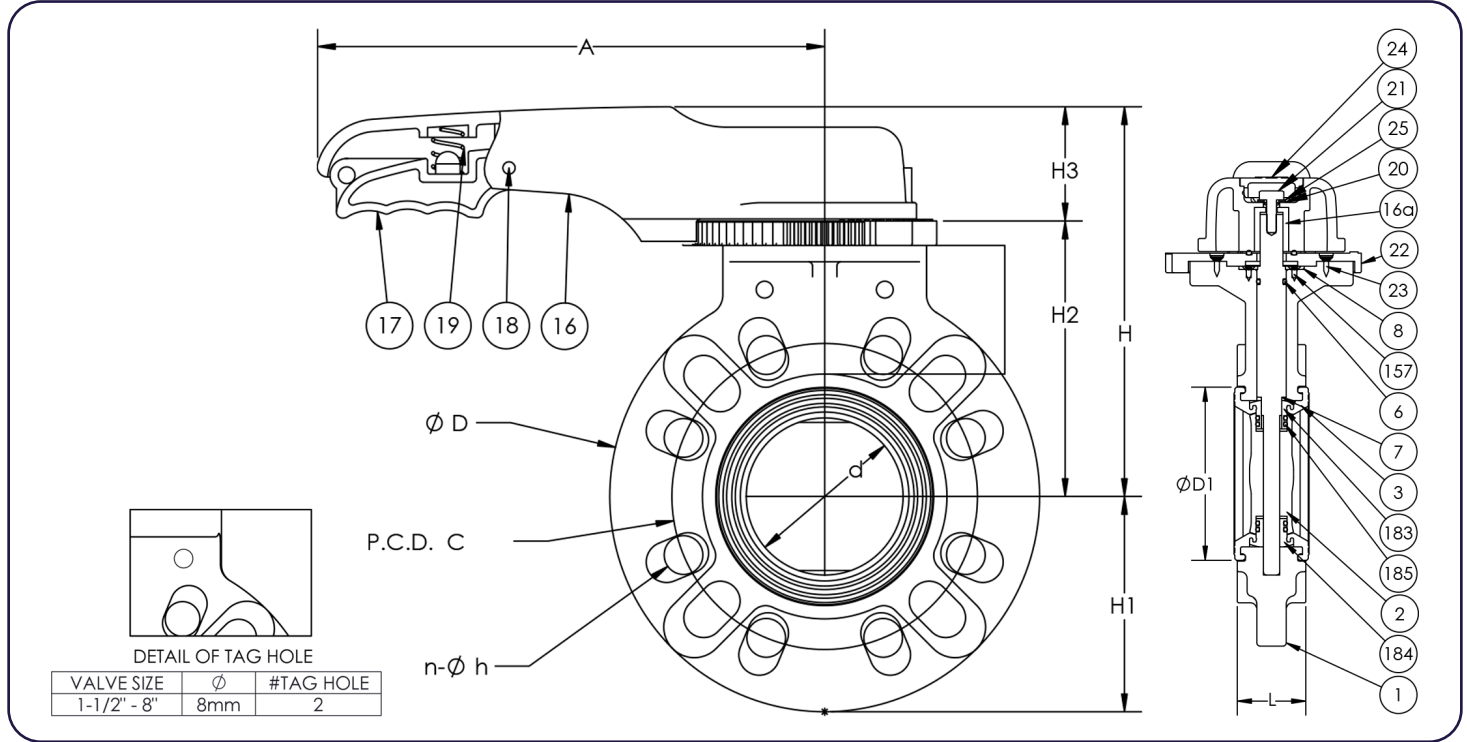


Type-57P Butterfly Valve Dimensional Guide

DIMENSIONS (LEVER, SIZES 1-1/2" - 8") (INCHES):

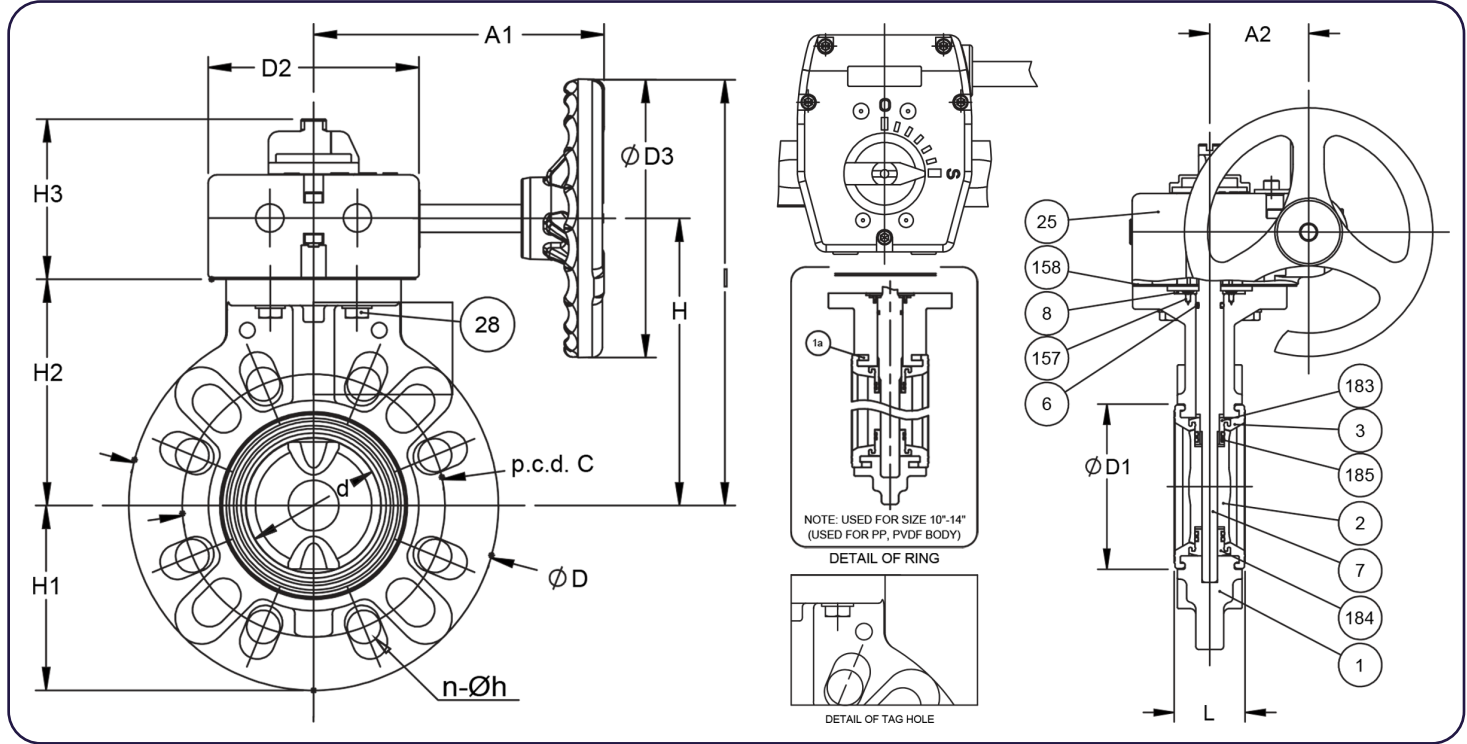


Nominal Size		d	ANSI Class 150			D	D1	L	H	H1	H2	H3	A
inch	mm		C	n	h								
1-1/2	40	1.77	3.88	4	0.62	5.91	2.83	1.54	6.14	2.95	3.94	2.20	8.66
2	50	2.20	4.75	4	0.75	6.50	3.23	1.65	6.54	3.25	4.33	2.20	8.66
2-1/2	65	2.72	5.50	4	0.75	7.28	3.78	1.81	6.93	3.64	4.72	2.20	8.66
3	80	3.03	6.00	4	0.75	8.31	4.17	1.81	7.52	4.15	5.31	2.20	9.84
4	100	4.02	7.50	8	0.75	9.37	5.31	2.20	8.11	4.69	5.91	2.20	9.84
5	125	5.08	8.50	8	0.88	10.39	6.69	2.60	9.33	5.20	6.61	2.72	12.60
6	150	5.91	9.50	8	0.88	11.22	7.52	2.80	9.92	5.61	7.20	2.72	12.60
8	200	7.68	11.75	8	0.88	13.39	9.53	3.43	11.14	6.69	8.43	2.72	15.75

Note: The shape and appearance of assembly differ slightly with nominal size compared to the drawing.

Type-57P Butterfly Valve Dimensional Guide

DIMENSIONS (GEAR, SIZES 1-1/2" - 14")(INCHES):



Nominal Size		d	ANSI Class 150			D	D1	D2	D3	L	H	H1	H2	H3	I	A1	A2	# of handle rotations	Gear box type
inch	mm		C	n	h														
1-1/2	40	1.77	3.88	4	0.62	5.91	2.83	4.80	6.30	1.54	5.12	2.95	3.74	3.54	8.27	6.57	2.52	9.5	241
2	50	2.20	4.75	4	0.75	6.50	3.23	4.80	6.30	1.65	5.51	3.25	4.13	3.54	8.66	6.57	2.52		
2-1/2	65	2.72	5.50	4	0.75	7.28	3.78	4.80	6.30	1.81	5.91	3.64	4.53	3.54	9.06	6.57	2.52		
3	80	3.03	6.00	4	0.75	8.31	4.17	4.80	6.30	1.81	6.50	4.15	5.12	3.54	9.65	6.57	2.52		
4	100	4.02	7.50	8	0.75	9.37	5.31	4.80	6.30	2.20	7.09	4.69	5.71	3.54	10.24	6.57	2.52		
5	125	5.08	8.50	8	0.88	10.39	6.69	4.80	6.30	2.60	7.68	5.20	6.30	3.54	10.83	6.57	2.52		
6	150	5.91	9.50	8	0.88	11.22	7.52	4.80	6.30	2.80	8.27	5.61	6.89	3.54	11.42	6.57	2.52		
8	200	7.68	11.75	8	0.88	13.39	9.53	4.80	6.30	3.43	9.49	6.69	8.11	3.54	12.64	6.57	2.52		
10	250	9.84	14.25	12	1.00	16.57	11.89	4.80	6.30	4.33	10.87	8.31	9.49	3.62	14.02	6.57	2.52		
12	300	11.93	17.00	12	1.00	19.21	14.17	7.40	11.81	5.08	13.39	9.61	11.73	4.25	19.29	10.71	3.90	243	
14	350	13.82	18.75	12	1.12	21.22	15.47	7.40	11.81	5.08	14.45	10.63	12.80	4.25	20.35	10.71	3.90		

Note: The shape and appearance of assembly differ slightly with nominal size compared to the drawing.

Type-57P Butterfly Valve Dimensional Guide

PARTS LIST (LEVER, SIZES 1-1/2" - 8"):

Parts List			
No.	Description	Pcs.	Material
1	Body	1	PVC, CPVC, PP, PVDF
2	Disc	1	PVC, CPVC, PP, PVDF
183	Seat bush (A)	1	PVC, PP, PVDF*
184	Seat bush (B)	1	PVC, PP, PVDF*
3	Seat	1	EPDM, FKM, NBR
6	O-ring (C)	1	EPDM, FKM, NBR
185	O-ring (I)	4	EPDM, FKM, NBR
7	Stem	1	Stainless steel 316
8	Stem retainer	1	PP
157	Screw (F)	4	Stainless steel 304
16	Handle	1	PP
16A	Metal handle insert	1	Stainless steel 316L
17	Handle lever	1	PPG
18	Pin	1	PPG
19	Spring	1	Stainless steel 304
20	Washer (A)	1	Stainless steel 304
21	Bolt (B)	1	Stainless steel 304
22	Locking plate	1	PPG
23	Screw (B)	4	Stainless steel 304
24	Cap (A)	1	PP

* Used for CPVC and PVDF

PARTS LIST (GEAR, SIZES 1-1/2" - 14"):

Parts List			
No.	Description	Pcs.	Material
1	Body	1	PVC, CPVC, PP, PVDF
2	Disc	1	PVC, CPVC, PP, PVDF
183	Seat bush (A)	1	PVC, PP, PVDF*
184	Seat bush (B)	1	PVC, PP, PVDF*
3	Seat	1	EPDM, FKM, NBR
6	O-ring (C)	1	EPDM, FKM, NBR
185	O-ring (I)	4	EPDM, FKM, NBR
7	Stem	1	Stainless steel 316
8	Stem retainer	1	PP
157	Screw (F)	4	Stainless steel 304
25	Handle	1	PP
28	Metal handle insert	1	Stainless steel 316L
158	Handle lever	1	PPG

* Used for CPVC and PVDF