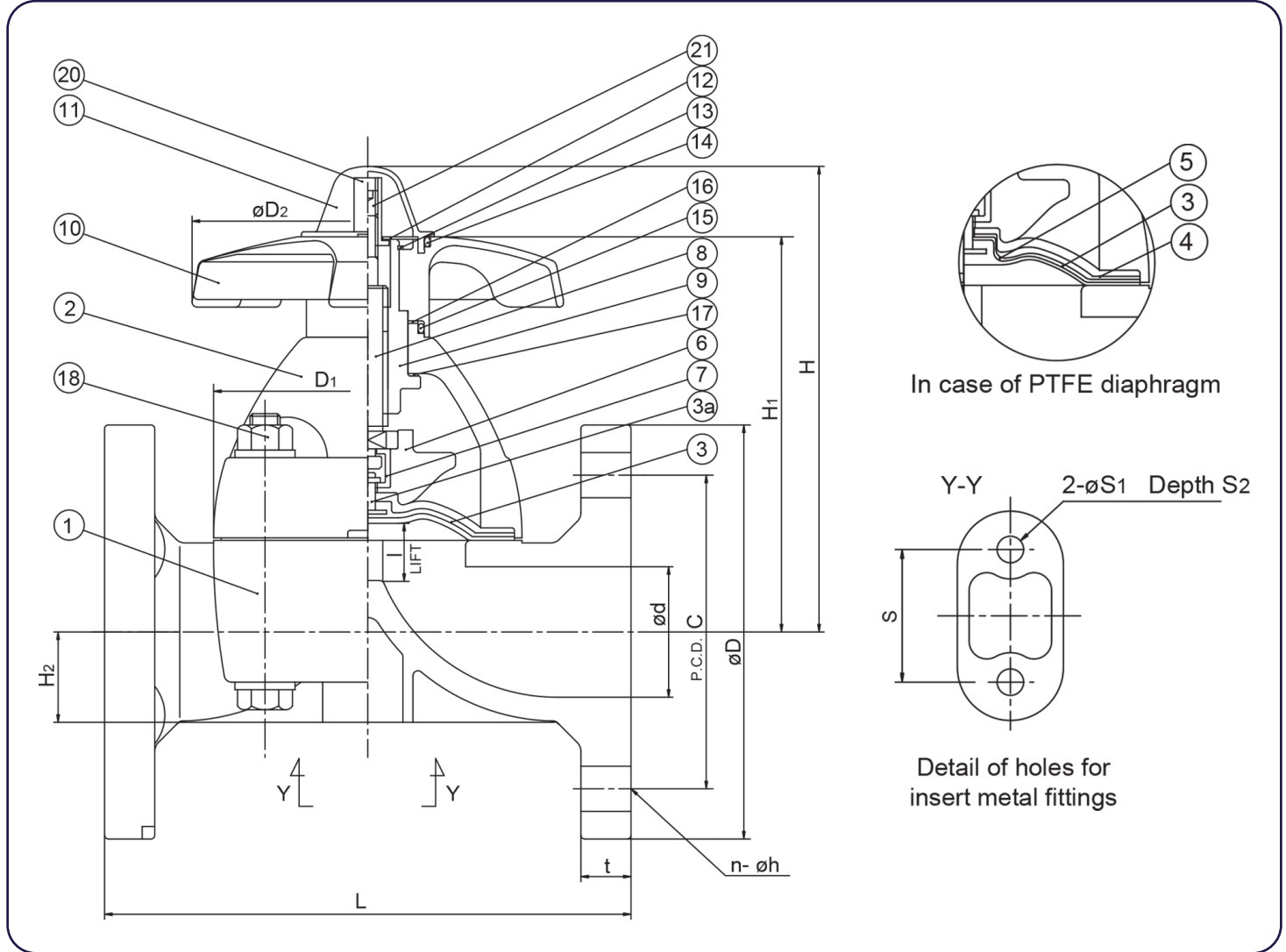


TI Flanged Diaphragm Valve Dimensional Guide

DIMENSIONS (SIZES 1/2" - 2")(INCHES):

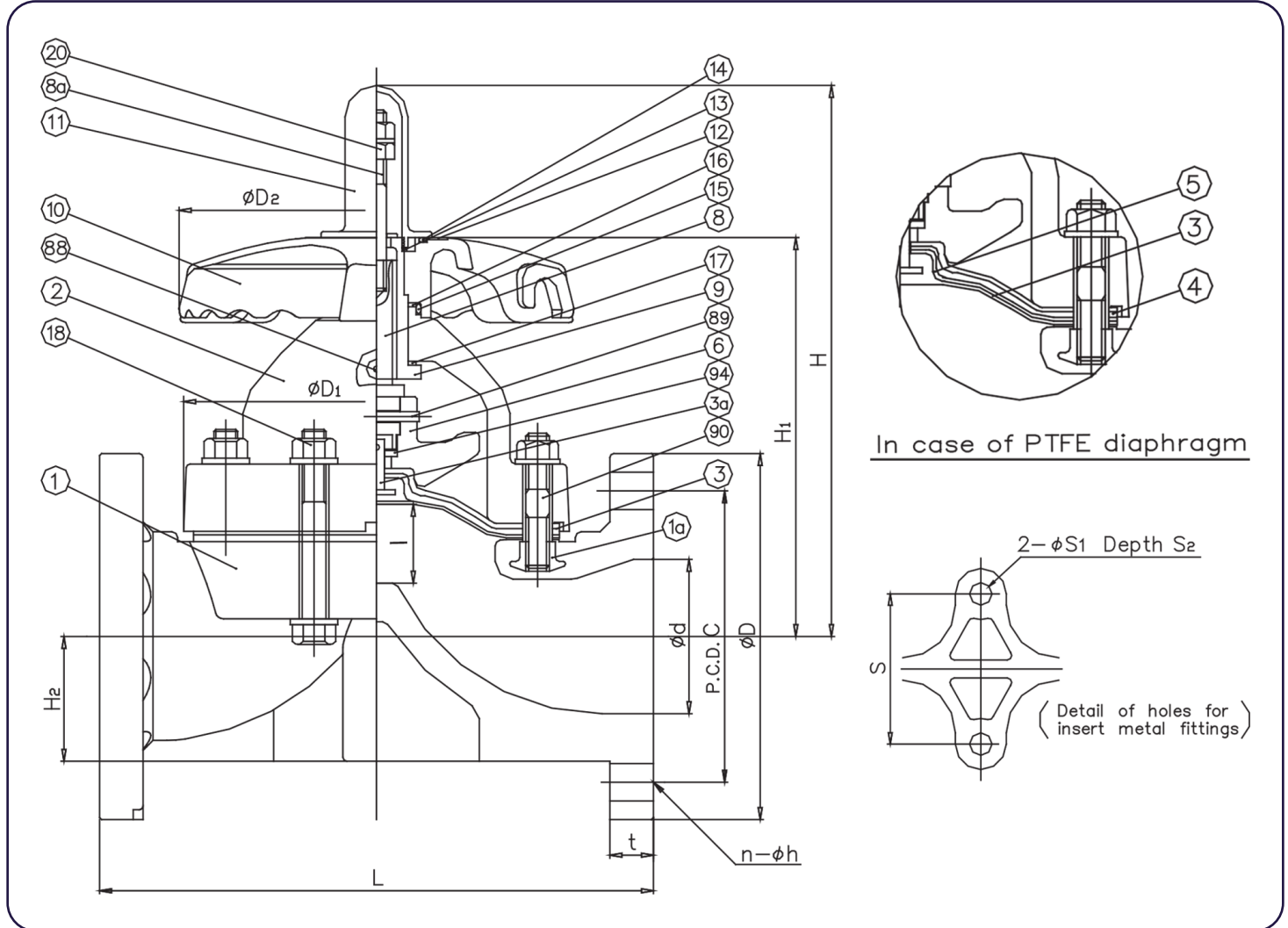


| Nominal Size | | d | ANSI Class 150 | | | | D1 | D2 | l | L | t | H | H1 | H2 | S | S1 | S2 |
|--------------|----|------|----------------|------|---|------|-------------|------|------|------|------|------|------|------|------|------|------|
| inch | mm | | C | D | n | h | | | | | | | | | | | |
| 1/2 | 15 | 0.63 | 2.38 | 3.50 | 4 | 0.62 | 2.13 x 2.60 | 3.46 | 0.39 | 4.25 | 0.43 | 4.09 | 3.39 | 0.49 | 0.98 | 0.28 | 0.51 |
| 3/4 | 20 | 0.79 | 2.75 | 3.88 | 4 | 0.62 | 2.13 x 2.60 | 3.46 | 0.39 | 5.88 | 0.51 | 4.17 | 3.46 | 0.57 | 0.98 | 0.28 | 0.51 |
| 1 | 25 | 0.98 | 3.12 | 4.25 | 4 | 0.62 | 2.64 x 3.15 | 3.46 | 0.47 | 5.88 | 0.59 | 4.37 | 3.66 | 0.73 | 0.98 | 0.28 | 0.51 |
| 1-1/4 | 32 | 1.26 | 3.50 | 4.62 | 4 | 0.62 | 2.64 x 3.15 | 3.46 | 0.47 | 6.38 | 0.63 | 4.57 | 3.82 | 0.89 | 0.98 | 0.28 | 0.51 |
| 1-1/2 | 40 | 1.57 | 3.88 | 5.00 | 4 | 0.62 | 4.25 x 4.25 | 6.14 | 0.83 | 6.94 | 0.63 | 6.97 | 5.67 | 1.08 | 1.77 | 0.35 | 0.59 |
| 2 | 50 | 2.05 | 4.75 | 6.00 | 4 | 0.75 | 4.84 x 4.84 | 6.14 | 0.98 | 7.94 | 0.79 | 7.52 | 6.22 | 1.42 | 1.77 | 0.35 | 0.59 |

Note: The shape and appearance of assembly differ slightly with nominal size compared to the drawing.

TI Flanged Diaphragm Valve Dimensional Guide

DIMENSIONS (SIZES 2-1/2" - 4")(INCHES):



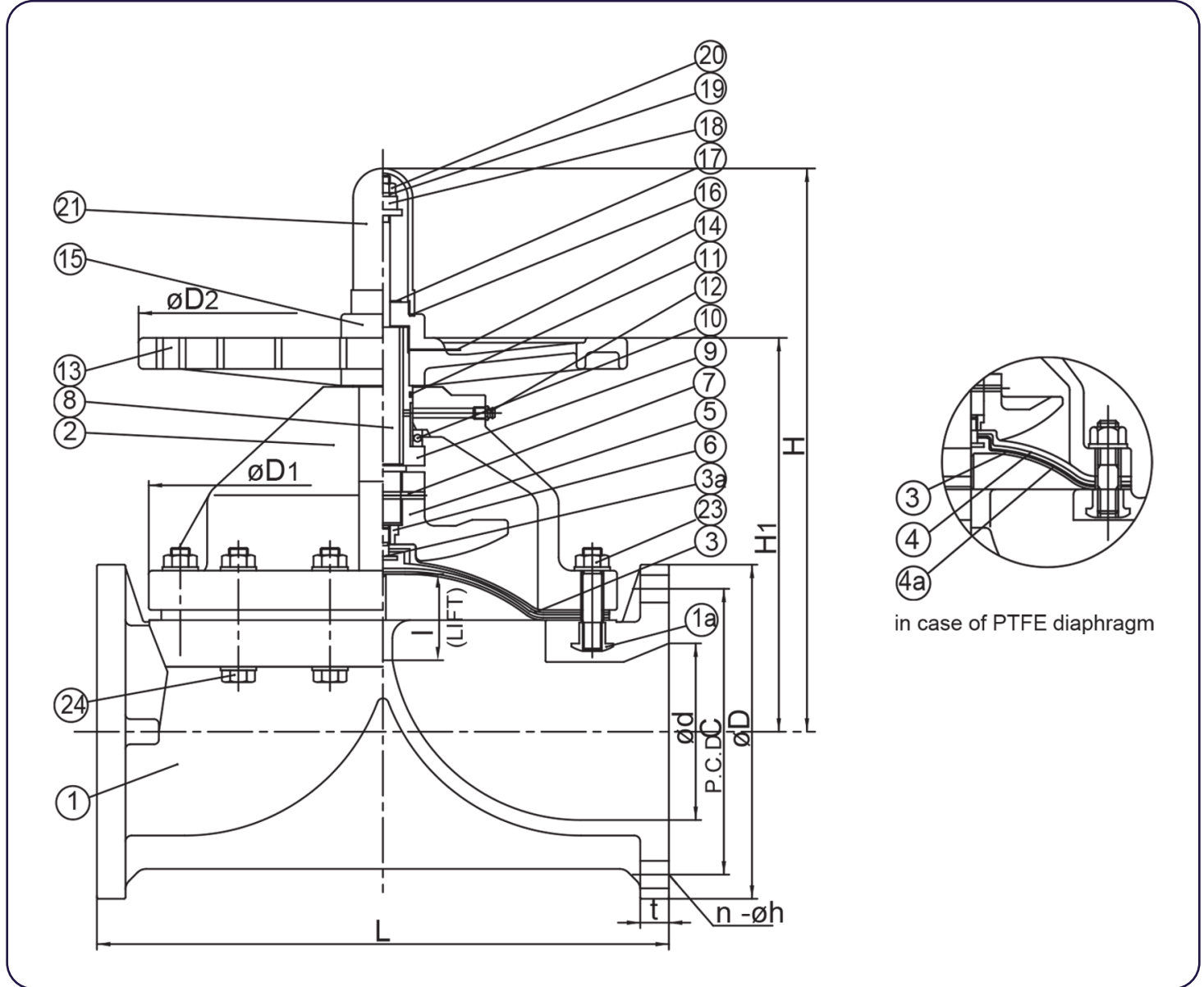
| Nominal Size | | ANSI Class 150 | | | | | D1 | | D2 | | t | | H | H1 | H2 | S | S1 | S2 |
|--------------|-----|----------------|------|------|---|------|------|-------|-----------|----------|------|------|-------|------|------|------|------|------|
| inch | mm | d | C | D | n | h | l | L | PVC, CPVC | PP, PVDF | | | | | | | | |
| 2-1/2 | 65 | 2.64 | 5.50 | 7.00 | 4 | 0.75 | 6.89 | 8.66 | 1.34 | 9.84 | 0.87 | 0.91 | 10.47 | 7.40 | 2.40 | 3.35 | 0.43 | 0.79 |
| 3 | 80 | 3.07 | 6.00 | 7.50 | 4 | 0.75 | 7.91 | 8.66 | 1.65 | 10.38 | 0.87 | 0.91 | 11.02 | 7.95 | 2.48 | 3.94 | 0.59 | 1.10 |
| 4 | 100 | 3.94 | 7.50 | 9.00 | 8 | 0.75 | 9.49 | 10.12 | 1.97 | 12.94 | 0.87 | 0.94 | 12.95 | 9.49 | 3.07 | 4.72 | 0.59 | 1.10 |

Note: The shape and appearance of assembly differ slightly with nominal size compared to the drawing.

TI Flanged Diaphragm Valve

Dimensional Guide

DIMENSIONS (SIZES 5" - 6")(INCHES):



| Nominal Size | | ANSI Class 150 | | | | | L | t | | D1 | D2 | l | H | H1 |
|--------------|-----|----------------|------|-------|---|------|-------|------|----------|-------|-------|------|-------|-------|
| inch | mm | d | C | D | n | h | | PVC | PP, PVDF | | | | | |
| 5 | 125 | 4.92 | 8.50 | 10.00 | 8 | 0.88 | 16.14 | 0.87 | 0.94 | 12.60 | 11.81 | 2.36 | 16.54 | 12.13 |
| 6 | 150 | 5.83 | 9.50 | 11.00 | 8 | 0.88 | 18.90 | 0.94 | 1.06 | 15.16 | 16.14 | 2.76 | 18.74 | 13.15 |

Note: The shape and appearance of assembly differ slightly with nominal size compared to the drawing.

TI Flanged Diaphragm Valve Dimensional Guide

PARTS LIST (SIZES 1/2" - 2"):

| Parts List | | | |
|------------|-------------------------|--------|---------------------|
| No. | Description | Pcs. | Material |
| 1 | Body | 1 | PVDF |
| 2 | Bonnet | 1 | PPG |
| 3 | Diaphragm | 1 | PTFE |
| 3a | Diaphragm insert | 1 | Palladium titanium |
| 4 | Cushion | 1 | EPDM |
| 5 | PVDF gas barrier | 1 | PVDF |
| 6 | Compressor | 1 | PVDF |
| 7 | Compressor joint | 1 | Palladium titanium |
| 8 | Stem | 1 | Copper alloy |
| 9 | Sleeve | 1 | Copper alloy |
| 10 | Handwheel | 1 | PP |
| 11 | Gauge cover | 1 | Polycarbonate |
| 12 | Nameplate | 1 | PVC |
| 13 | Retaining ring (C type) | 1 | Stainless steel 304 |
| 14 | O-ring (A) | 1 | EPDM |
| 15 | O-ring (B) | 1 | EPDM |
| 16 | Thrust ring (A) | 1 | UHMWPE |
| 17 | Thrust ring (B) | 1 | UHMWPE |
| 18 | Bolt, nut, washer | 4 sets | Titanium |
| 20 | Stopper (A) | 1 | Copper alloy |
| 21 | Screw | 1 | Stainless steel 304 |

PARTS LIST (SIZES 2-1/2" - 4"):

| Parts List | | | |
|------------|-------------------------|--------|---------------------|
| No. | Description | Pcs. | Material |
| 1 | Body | 1 | PVDF |
| 2 | Bonnet | 1 | PPG |
| 3 | Diaphragm | 1 | PTFE |
| 3a | Diaphragm insert | 1 | Palladium titanium |
| 4 | Cushion | 1 | EPDM |
| 5 | PVDF gas barrier | 1 | PVDF |
| 6 | Compressor | 1 | PVDF |
| 8 | Stem | 1 | Copper alloy |
| 8a | Indicating rod | 1 | Stainless steel 304 |
| 9 | Sleeve | 1 | Copper alloy |
| 10 | Handwheel | 1 | PP |
| 11 | Gauge Cover | 1 | Polycarbonate |
| 12 | Nameplate | 1 | PVC |
| 13 | Retaining ring (C type) | 1 | Stainless steel 304 |
| 14 | O-ring (A) | 1 | EPDM |
| 15 | O-ring (B) | 1 | EPDM |
| 16 | Thrust ring (A) | 1 | UHMWPE |
| 17 | Thrust ring (B) | 1 | UHMWPE |
| 18 | Bolt, nut, washer | 4 Sets | Titanium |
| 20 | Stopper (A) | 1 | Copper alloy |
| 88 | Bonnet plug | 1 | Titanium |
| 89 | Compressor joint | 1 | Palladium titanium |
| 90 | Stud bolt, nut, washer | 4 Sets | Titanium |
| 94 | Metal compressor insert | 1 | Palladium titanium |
| 1a | Body insert nut | 4 | Titanium |

TI Flanged Diaphragm Valve Dimensional Guide

PARTS LIST (SIZES 5" - 6"):

| Parts List | | | |
|------------|------------------------|--------|------------------------------|
| No. | Description | Pcs. | Material |
| 1 | Body | 1 | PVDF |
| 2 | Bonnet | 1 | PPG |
| 3 | Diaphragm | 1 | PTFE |
| 3a | Diaphragm insert | 1 | Palladium titanium |
| 4 | Cushion | 1 | EPDM |
| 5 | PVDF gas barrier | 1 | PVDF |
| 6 | Compressor nut | 1 | PVDF |
| 7 | Compressor joint | 1 | Palladium titanium |
| 8 | Stem | 1 | Copper alloy |
| 9 | Sleeve (A) | 1 | Copper alloy |
| 10 | Thrust bearing (A) | 1 | High carbon chromium bearing |
| 11 | O-ring (A) | 1 | NBR |
| 12 | Bonnet plug | 1 | Titanium |
| 13 | Handwheel | 1 | PP |
| 14 | Nameplate | 1 | PVC |
| 15 | Cap nut | 1 | PP |
| 16 | Sheet gasket (A) | 1 | EPDM |
| 17 | Sheet ring | 1 | Chromized steel |
| 18 | Stopper | 1 | Titanium |
| 19 | Spring washer | 1 | Stainless steel 304 |
| 20 | Nut | 1 | Stainless steel 304 |
| 21 | Gauge cover | 1 | Polycarbonate |
| 23 | Stud bolt, nut, washer | 4 sets | Titanium |
| 24 | Bolt, nut, washer | 8 sets | Titanium |
| 1a | Body insert nuts | 4 | Titanium |