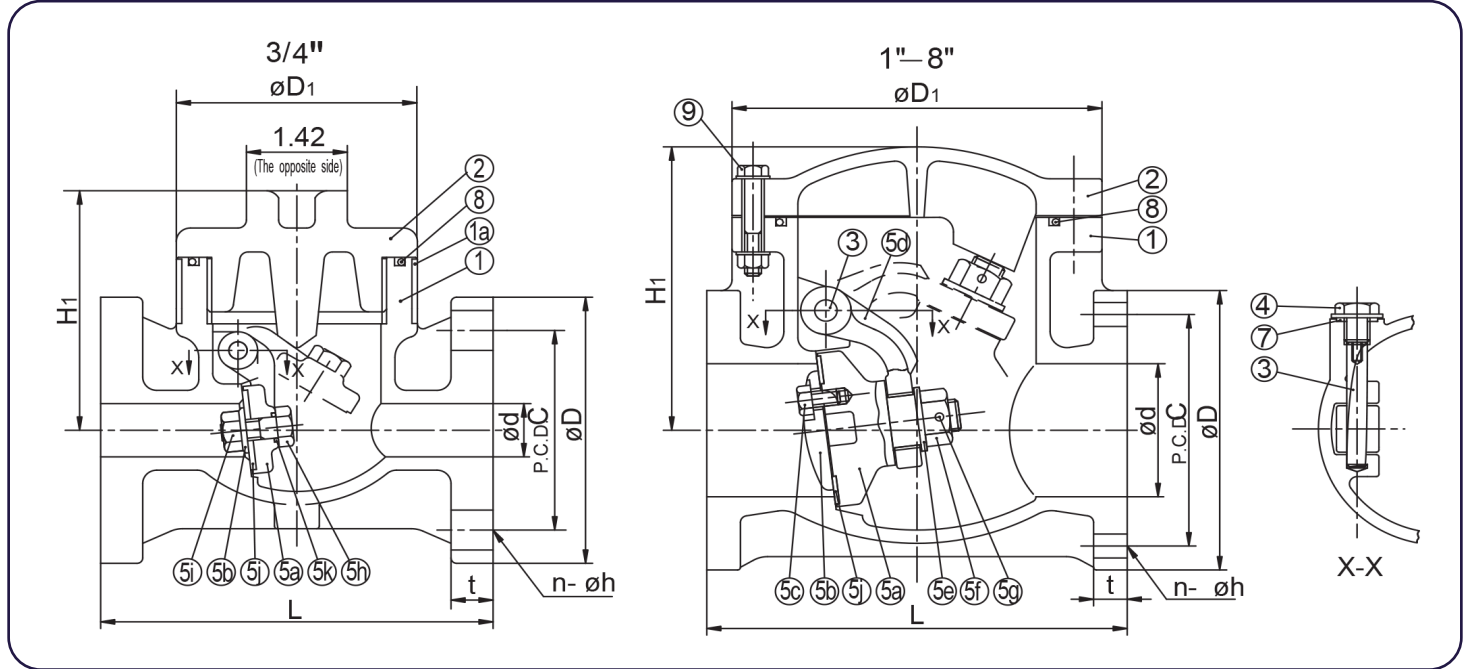


Swing Check Valve Dimensional Guide

DIMENSIONS (SIZES 3/4" - 8")(INCHES):



Nominal Size		d	ANSI Class 150				D1	L	t		H1	H
inch	mm		C	D	h	n			PVC	PP, PVDF		
3/4	20	0.79	2.75	3.88	0.62	4	3.39	5.51	0.59	0.59	3.43	3.54
1	25	0.98	3.12	4.25	0.62	4	5.12	6.30	0.63	0.63	4.61	4.72
1-1/2	40	1.57	3.88	5.00	0.62	4	5.71	7.09	0.71	0.71	5.31	5.43
2	50	1.97	4.75	6.00	0.75	4	7.09	7.87	0.79	0.83	6.34	6.46
2-1/2	65	2.56	5.50	7.00	0.75	4	7.87	9.45	0.87	0.91	6.50	6.61
3	80	3.15	6.00	7.50	0.75	4	8.07	10.24	0.87	0.98	6.61	6.73
4	100	3.94	7.50	9.00	0.75	4	10.43	11.81	0.94	1.02	8.27	8.39
5	125	4.92	8.50	10.00	0.88	4	12.99	13.78	0.94	1.06	9.65	9.76
6	150	5.91	9.50	11.00	0.88	4	14.57	15.75	0.98	1.06	11.02	11.14
8	200	7.87	11.75	13.50	0.88	4	16.73	19.69	1.18	1.34	13.11	13.23

Note: The shape and appearance of assembly differ slightly with nominal size compared to the drawing.

Swing Check Valve Dimensional Guide

PARTS LIST (SIZES 3/8" - 8"):

Parts List			
No.	Description	Pcs.	Material
1	Body	1	HI-PVC, PP, PVDF
2	Bonnet	1	HI-PVC, PP, PVDF
3	Shaft	1	HI-PVC, PP, PVDF
4	Bolt	1	HI-PVC, PP, PVDF
5a	Disc	1	HI-PVC, PVDF
5b	Seat holder	1	HI-PVC, PP, PVDF
5c	Bolt (A)	-	HI-PVC, PP, PVDF
5d	Arm	1	HI-PVC, PP, PVDF
5e	Washer	1	HI-PVC, PP, PVDF
5f	Nut (A)	1	HI-PVC, PVDF
5g	Pin	1	HI-PVC, PVDF
5h	Bolt (B)	1	HI-PVC, PP, PVDF
5i	Nut (B)	1	HI-PVC, PP, PVDF
5j	Seat	1	EPDM, FKM, PTFE
5k	O-ring (A)	1	EPDM, FKM, PTFE
6	Gasket (A)	1	EPDM, FKM, PTFE
7	Gasket (B)	1	EPDM, FKM, PTFE
8	O-ring (B)	Set	EPDM, FKM, PTFE
9	Bolt, nut, washer	Set	Stainless steel 304
1a	Ring	1	Stainless steel 304