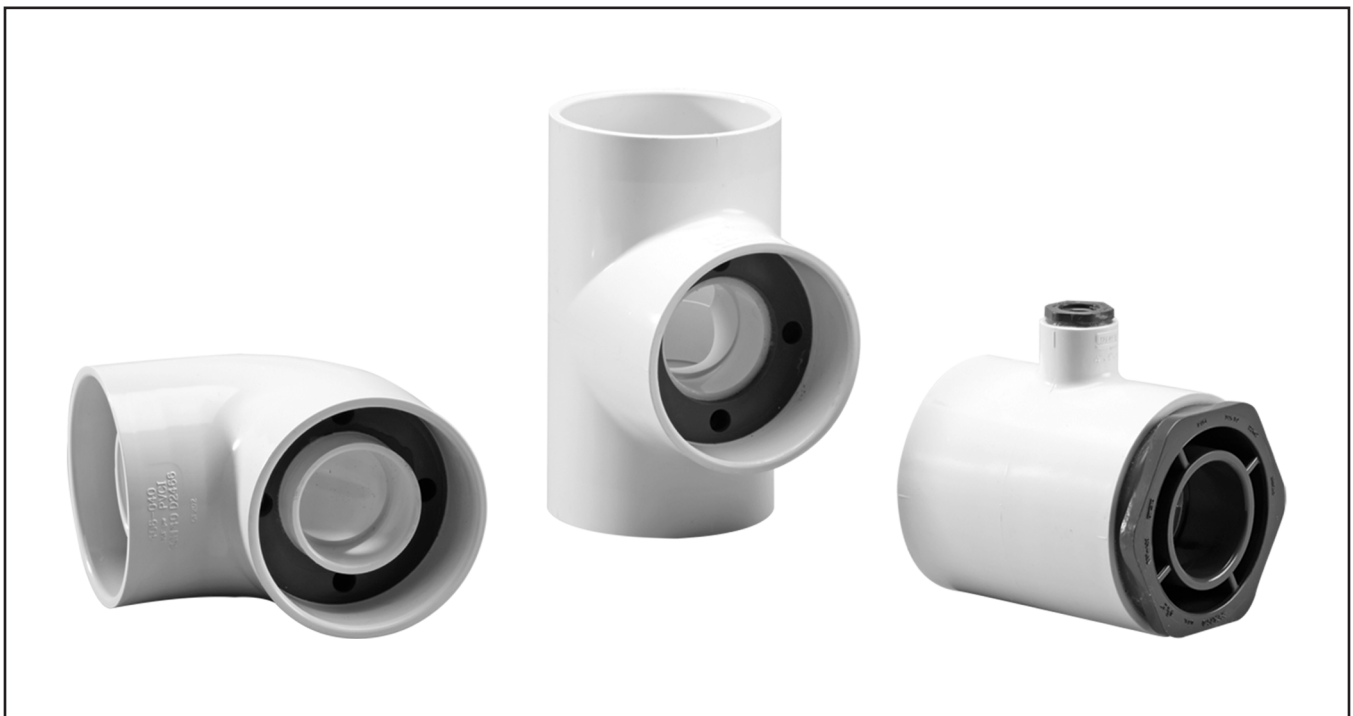




Pro-Lock[®] Double Wall Piping System Dimensional Guide

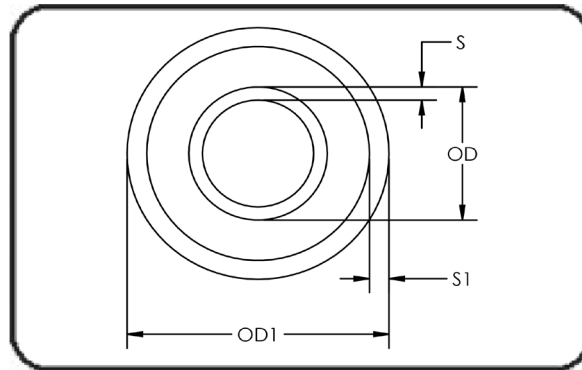


Rev. 03/2026

ATTENTION - Tolerances are listed below:

UNLESS OTHERWISE SPECIFIED, DIMENSIONS ARE IN INCHES (AS MEASURED INDOORS AT 68° F)		
MACHINING TOLERANCES	2 PL DECIMALS	+/- 0.01
	3 PL DECIMALS	+/- 0.005
	ANGULAR	+/- 0.5°
	FRACTIONAL	+/- 1/64
FABRICATION TOLERANCES PER PIPE Ø	1/2" - 8"	+/- 1/4
	9" AND UP	+/- 1/2
	ANGULAR	+/- 1.0°

Dimensions subject to change without notice. Visit asahi-america.com for the most up-to-date dimensional data.



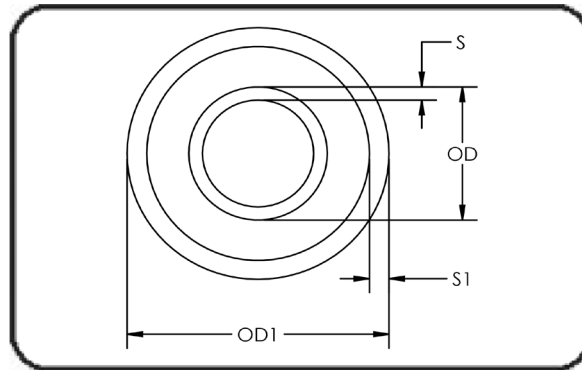
PIPE

PVC Sch. 80 x PVC Sch. 40							
Size ¹	Dimensions					Weight (lbs/ft)	Part Number
inch	OD (in)	OD1 (in)	s (in)	s1 (in)			
1/2 x 2	13/16	2-3/8	5/32	5/32	0.93	6402246	
1/2 x 3	13/16	3-1/2	5/32	7/32	1.70	6402332	
3/4 x 3	1-1/16	3-1/2	5/32	7/32	1.78	6402333	
3/4 x 4	1-1/16	4-1/2	5/32	1/4	2.41	6402404	
1 x 3	1-5/16	3-1/2	3/16	7/32	1.91	6402134	
1 x 4	1-5/16	4-1/2	3/16	1/4	2.54	6402401	
1-1/2 x 4	1-7/8	4-1/2	3/16	1/4	2.83	6402415	
2 x 4	2-3/8	4-1/2	7/32	1/4	3.10	6402420	
2 x 6	2-3/8	6-5/8	7/32	9/32	4.72	6402530	
3 x 6	3-1/2	6-5/8	5/16	9/32	5.74	6402531	
4 x 8	4-1/2	8-5/8	11/32	5/16	8.56	6402583	

PVC Sch. 80 x PVC Sch. 80							
Size ¹	Dimensions					Weight (lbs/ft)	Part Number
inch	OD (in)	OD1 (in)	s (in)	s1 (in)			
1/2 x 2	27/32	2-3/8	5/32	7/32	1.20	6403246	
1/2 x 3	27/32	3-1/2	5/32	5/16	2.22	6403332	
3/4 x 3	1-1/16	3-1/2	5/32	5/16	2.30	6403333	
3/4 x 4	1-1/16	4-1/2	5/32	11/32	3.23	6403404	
1 x 3	1-5/16	3-1/2	3/16	5/16	2.43	6403134	
1 x 4	1-5/16	4-1/2	3/16	11/32	3.36	6403401	
1-1/2 x 4	1-29/32	4-1/2	3/16	11/32	3.65	6403415	
2 x 4	2-3/8	4-1/2	7/32	11/32	3.92	6403420	
2 x 6	2-3/8	6-5/8	7/32	7/16	6.59	6403530	
3 x 6	3-1/2	6-5/8	5/16	7/16	7.62	6403531	
4 x 8	4-1/2	8-5/8	11/32	1/2	11.46	6403583	

Pipe sold in 20' lengths
 Refer to product specification for pressure capabilities
 1. Carrier x Containment

Some CAD models can be found at <https://cad.asahi-america.com>. For any questions on dimensional info, please contact Asahi/America Technical Services at 1-800-343-3618 or asahi@asahi-america.com.



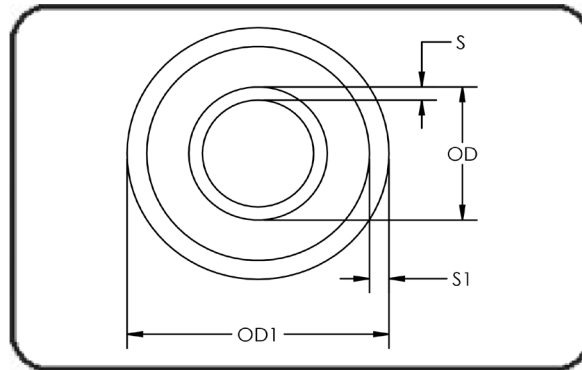
PIPE (CONT.)

CPVC Sch. 80 x PVC Sch. 40							
Size ¹	Dimensions					Weight (lbs/ft)	Part Number
inch	OD (in)	OD1 (in)	s (in)	s1 (in)			
1/2 x 2	27/32	2-3/8	5/32	5/32	0.96	6405246	
1/2 x 3	27/32	3-1/2	5/32	7/32	1.73	6405332	
3/4 x 3	1-1/16	3-1/2	5/32	7/32	1.81	6405333	
3/4 x 4	1-1/16	4-1/2	5/32	1/4	2.44	6405404	
1 x 3	1-5/16	3-1/2	3/16	7/32	1.96	6405134	
1 x 4	1-5/16	4-1/2	3/16	1/4	2.59	6405401	
1-1/2 x 4	1-29/32	4-1/2	3/16	1/4	2.91	6405415	
2 x 4	2-3/8	4-1/2	7/32	1/4	3.22	6405420	
2 x 6	2-3/8	6-5/8	7/32	9/32	4.83	6405530	
3 x 6	3-1/2	6-5/8	5/16	9/32	5.98	6405531	
4 x 8	4-1/2	8-5/8	11/32	5/16	8.90	6405583	

CPVC Sch. 80 x PVC Sch. 80							
Size ¹	Dimensions					Weight (lbs/ft)	Part Number
inch	OD (in)	OD1 (in)	s (in)	s1 (in)			
1/2 x 2	27/32	2-3/8	5/32	7/32	1.22	6406246	
1/2 x 3	27/32	3-1/2	5/32	5/16	2.25	6406332	
3/4 x 3	1-1/16	3-1/2	5/32	5/16	2.33	6406333	
3/4 x 4	1-1/16	4-1/2	5/32	11/32	3.26	6406404	
1 x 3	1-5/16	3-1/2	3/16	5/16	2.48	6406134	
1 x 4	1-5/16	4-1/2	3/16	11/32	3.41	6406401	
1-1/2 x 4	1-29/32	4-1/2	3/16	11/32	3.73	6406415	
2 x 4	2-3/8	4-1/2	7/32	11/32	4.04	6406420	
2 x 6	2-3/8	6-5/8	7/32	7/16	6.71	6406530	
3 x 6	3-1/2	6-5/8	5/16	7/16	7.85	6406531	
4 x 8	4-1/2	8-5/8	11/32	1/2	11.80	6406583	

Pipe sold in 20' lengths
 Refer to product specification for pressure capabilities
 1. Carrier x Containment

Some CAD models can be found at <https://cad.asahi-america.com>. For any questions on dimensional info, please contact Asahi/America Technical Services at 1-800-343-3618 or asahi@asahi-america.com.

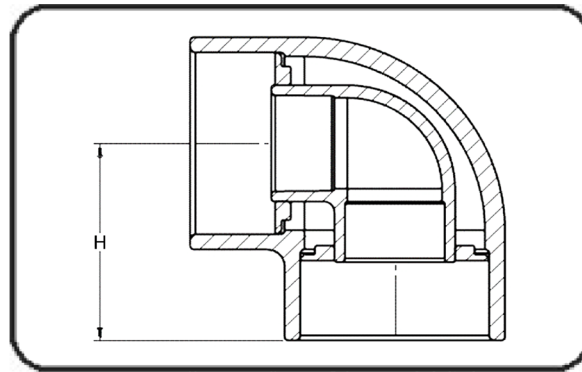


PIPE (CONT.)

CPVC Sch. 80 x CPVC Sch. 80							
Size ¹	Dimensions					Weight (lbs/ft)	Part Number
inch	OD (in)	OD1 (in)	s (in)	s1 (in)			
1/2 x 2	27/32	2-3/8	5/32	7/32	1.34	6409246	
1/2 x 3	27/32	3-1/2	5/32	5/16	2.48	6409332	
3/4 x 3	1-1/16	3-1/2	5/32	5/16	2.56	6409333	
3/4 x 4	1-1/16	4-1/2	5/32	11/32	3.60	6409404	
1 x 3	1-5/16	3-1/2	3/16	5/16	2.72	6409134	
1 x 4	1-5/16	4-1/2	3/16	11/32	3.75	6409401	
1-1/2 x 4	1-29/32	4-1/2	3/16	11/32	4.07	6409415	
2 x 4	2-3/8	4-1/2	7/32	11/32	4.37	6409420	
2 x 6	2-3/8	6-5/8	7/32	7/16	7.36	6409530	
3 x 6	3-1/2	6-5/8	5/16	7/16	8.50	6409531	
4 x 8	4-1/2	8-5/8	11/32	1/2	12.78	6409583	

Pipe sold in 20' lengths
 Refer to product specification for pressure capabilities
 1. Carrier x Containment

Some CAD models can be found at <https://cad.asahi-america.com>. For any questions on dimensional info, please contact Asahi/America Technical Services at 1-800-343-3618 or asahi@asahi-america.com.



90 DEGREE ELBOW

PVC Sch. 80 x PVC Sch. 40			
Size ¹	Dimensions		Part Number
inch	H (in)	Weight (lbs)	
1/2 x 2	2-11/16	0.4	6411246
1/2 x 3	3-3/4	1.1	6411332
3/4 x 3	3-3/4	1.1	6411333
3/4 x 4	4-7/16	1.8	6411404*
1 x 3	3-3/4	1.2	6411134
1 x 4	4-7/16	1.9	6411401*
1-1/2 x 4	4-7/16	2.1	6411415
2 x 4	4-7/16	2.3	6411420
2 x 6	6- 9/16	5.3	6411530
3 x 6	6- 9/16	6.3	6411531
4 x 8	8- 7/16	11.7	6411583*

PVC Sch. 80 x PVC Sch. 80			
Size ¹	Dimensions		Part Number
inch	H (in)	Weight (lbs)	
1/2 x 2	2-15/16	0.7	6412246
1/2 x 3	4	1.7	6412332
3/4 x 3	4	1.8	6412333
3/4 x 4	4-27/32	2.9	6412404*
1 x 3	4	1.9	6412134
1 x 4	4-27/32	3.0	6412401*
1-1/2 x 4	4-27/32	3.2	6412415
2 x 4	4-27/32	3.4	6412420
2 x 6	6-13/16	8.2	6412530
3 x 6	6-13/16	9.3	6412531
4 x 8	8-25/32	17.4	6412583*

CPVC Sch. 80 x PVC Sch. 40			
Size ¹	Dimensions		Part Number
inch	H (in)	Weight (lbs)	
1/2 x 2	2-11/16	0.5	6414246
1/2 x 3	3-3/4	1.1	6414332
3/4 x 3	3-3/4	1.1	6414333
3/4 x 4	4-7/16	1.8	6414404*
1 x 3	3-3/4	1.2	6414134
1 x 4	4-7/16	1.9	6414401*
1-1/2 x 4	4-7/16	2.1	6414415
2 x 4	4-7/16	2.3	6414420
2 x 6	6- 9/16	5.3	6414530
3 x 6	6- 9/16	6.4	6414531
4 x 8	8- 7/16	11.8	6414583*

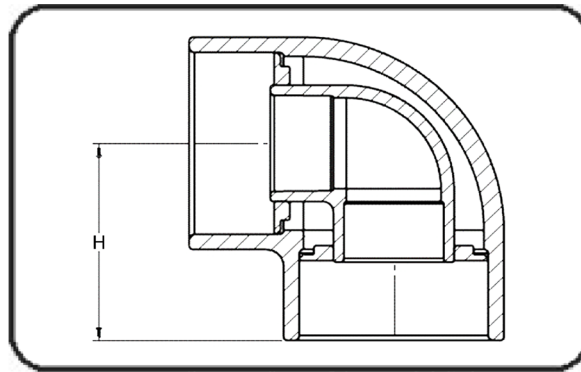
CPVC Sch. 80 x PVC Sch. 80			
Size ¹	Dimensions		Part Number
inch	H (in)	Weight (lbs)	
1/2 x 2	2-15/16	0.7	6415246
1/2 x 3	4	1.7	6415332
3/4 x 3	4	1.8	6415333
3/4 x 4	4-27/32	2.9	6415404*
1 x 3	4	1.9	6415134
1 x 4	4-27/32	3.0	6415401*
1-1/2 x 4	4-27/32	3.2	6415415
2 x 4	4-27/32	3.4	6415420
2 x 6	6-13/16	8.2	6415530
3 x 6	6-13/16	9.4	6415531
4 x 8	8-25/32	17.5	6415583*

Refer to product specification for pressure capabilities

* Couplings on carrier pipe

1. Carrier x Containment

Some CAD models can be found at <https://cad.asahi-america.com>. For any questions on dimensional info, please contact Asahi/America Technical Services at 1-800-343-3618 or asahi@asahi-america.com.



90 DEGREE ELBOW (CONT.)

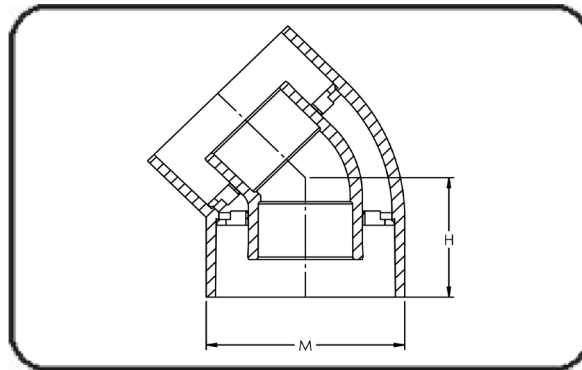
CPVC Sch. 80 x CPVC Sch. 80			
Size ¹	Dimensions		Part Number
inch	H (in)	Weight (lbs)	
1/2 x 2	2-15/16	0.7	6418246
1/2 x 3	4	1.8	6418332
3/4 x 3	4	1.9	6418333
3/4 x 4	4-27/32	3.0	6418404*
1 x 3	4	2.0	6418134
1 x 4	4-27/32	3.1	6418401*
1-1/2 x 4	4-27/32	3.3	6418415
2 x 4	4-27/32	3.5	6418420
2 x 6	6-13/16	8.6	6418530
3 x 6	6-13/16	9.7	6418531
4 x 8	8-25/32	18.0	6418583*

Refer to product specification for pressure capabilities

* Couplings on carrier pipe

1. Carrier x Containment

Some CAD models can be found at <https://cad.asahi-america.com>. For any questions on dimensional info, please contact Asahi/America Technical Services at 1-800-343-3618 or asahi@asahi-america.com.



45 DEGREE ELBOW (CONT.)

PVC Sch. 80 x PVC Sch. 40				
Size ¹	Dimensions			Part Number
inch	H (in)	M (in)	Weight (lbs)	
1/2 x 2	2- 1/16	2- 3/4	0.4	6420246
1/2 x 3	2-27/32	4	0.9	6420332
3/4 x 3	2-27/32	4	0.9	6420333
3/4 x 4	3-1/8	5	1.4	6420404*
1 x 3	2-27/32	4	1.0	6420134
1 x 4	3-1/8	5	1.4	6420401*
1-1/2 x 4	3-1/8	5	1.6	6420415
2 x 4	3-1/8	5	1.7	6420420
2 x 6	4- 3/4	7- 9/32	4.0	6420530
3 x 6	4- 3/4	7- 9/32	4.7	6420531
4 x 8	6	9- 3/8	8.6	6420583*

CPVC Sch. 80 x PVC Sch. 40				
Size ¹	Dimensions			Part Number
inch	H (in)	M (in)	Weight (lbs)	
1/2 x 2	2- 1/16	2- 3/4	0.4	6423246
1/2 x 3	2-27/32	4	0.9	6423332
3/4 x 3	2-27/32	4	0.9	6423333
3/4 x 4	3-1/8	5	1.4	6423404*
1 x 3	2-27/32	4	1.0	6423134
1 x 4	3-1/8	5	1.4	6423401*
1-1/2 x 4	3-1/8	5	1.6	6423415
2 x 4	3-1/8	5	1.7	6423420
2 x 6	4- 3/4	7- 9/32	4.1	6423530
3 x 6	4- 3/4	7- 9/32	4.8	6423531
4 x 8	6	9- 3/8	8.7	6423583*

PVC Sch. 80 x PVC Sch. 80				
Size ¹	Dimensions			Part Number
inch	H (in)	M (in)	Weight (lbs)	
1/2 x 2	2- 1/8	2- 7/8	0.5	6421246
1/2 x 3	2-25/32	4-1/8	1.2	6421332
3/4 x 3	2-25/32	4-1/8	1.2	6421333
3/4 x 4	3-5/16	5-1/4	2.1	6421404*
1 x 3	2-25/32	4-1/8	1.3	6421134
1 x 4	3-5/16	5-1/4	2.1	6421401*
1-1/2 x 4	3-5/16	5-1/4	2.3	6421415
2 x 4	3-5/16	5-1/4	2.4	6421420
2 x 6	4-3/4	7-9/16	5.9	6421530
3 x 6	4-3/4	7-9/16	6.6	6421531
4 x 8	6	9-3/4	12.2	6421583*

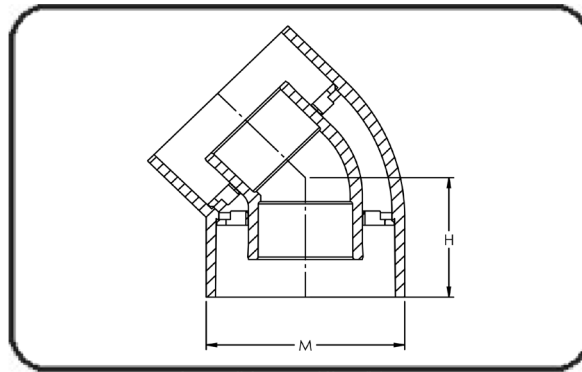
CPVC Sch. 80 x PVC Sch. 80				
Size ¹	Dimensions			Part Number
inch	H (in)	M (in)	Weight (lbs)	
1/2 x 2	2- 1/8	2- 7/8	0.5	6424246
1/2 x 3	2-25/32	4-1/8	1.2	6424332
3/4 x 3	2-25/32	4-1/8	1.2	6424333
3/4 x 4	3- 5/16	5- 1/4	2.1	6424404*
1 x 3	2-25/32	4-1/8	1.3	6424134
1 x 4	3- 5/16	5- 1/4	2.2	6424401*
1-1/2 x 4	3- 5/16	5- 1/4	2.3	6424415
2 x 4	3- 5/16	5- 1/4	2.5	6424420
2 x 6	4- 3/4	7-9/16	5.9	6424530
3 x 6	4- 3/4	7-9/16	6.7	6424531
4 x 8	6	9- 3/4	12.3	6424583*

Refer to product specification for pressure capabilities

* Couplings on carrier pipe

1. Carrier x Containment

Some CAD models can be found at <https://cad.asahi-america.com>. For any questions on dimensional info, please contact Asahi/America Technical Services at 1-800-343-3618 or asahi@asahi-america.com.



45 DEGREE ELBOW (CONT.)

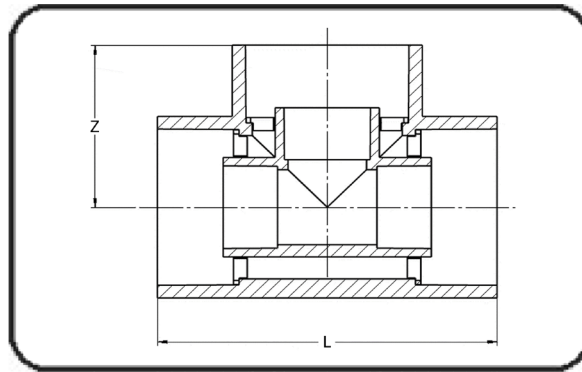
CPVC Sch. 80 x CPVC Sch. 80				
Size ¹	Dimensions			Part Number
inch	H (in)	M (in)	Weight (lbs)	
1/2 x 2	2-1/8	2-7/8	0.5	6427246
1/2 x 3	2-25/32	4-1/8	1.3	6427332
3/4 x 3	2-25/32	4-1/8	1.3	6427333
3/4 x 4	3-5/16	5-1/4	2.2	6427404*
1 x 3	2-25/32	4-1/8	1.4	6427134
1 x 4	3-5/16	5-1/4	2.3	6427401*
1-1/2 x 4	3-5/16	5-1/4	2.4	6427415
2 x 4	3-5/16	5-1/4	2.6	6427420
2 x 6	4-3/4	7-9/16	6.1	6427530
3 x 6	4-3/4	7-9/16	6.8	6427531
4 x 8	6	9-3/4	12.8	6427583*

Refer to product specification for pressure capabilities

* Couplings on carrier pipe

1. Carrier x Containment

Some CAD models can be found at <https://cad.asahi-america.com>. For any questions on dimensional info, please contact Asahi/America Technical Services at 1-800-343-3618 or asahi@asahi-america.com.



TEE

PVC Sch. 80 x PVC Sch. 40				
Size ¹	Dimensions			Part Number
inch	Z (in)	L (in)	Weight (lbs)	
1/2 x 2	2-15/16	5-7/8	0.6	6429246
1/2 x 3	3-31/32	7-15/16	1.5	6429332
3/4 x 3	3-31/32	7-15/16	1.6	6429333
3/4 x 4	4-3/4	9-15/32	2.5	6429404*
1 x 3	3-31/32	7-15/16	1.7	6429134
1 x 4	4-3/4	9-15/32	2.6	6429401*
1-1/2 x 4	4-3/4	9-15/32	2.9	6429415
2 x 4	4-3/4	9-15/32	3.1	6429420
2 x 6	7-1/8	14-1/4	6.7	6429530
3 x 6	7-1/8	14-1/4	8.0	6429531
4 x 8	8-7/8	17-23/32	15.1	6429583*

PVC Sch. 80 x PVC Sch. 80				
Size ¹	Dimensions			Part Number
inch	Z (in)	L (in)	Weight (lbs)	
1/2 x 2	2-15/16	5-7/8	0.9	6430246
1/2 x 3	3-31/32	7-15/16	2.2	6430332
3/4 x 3	3-31/32	7-15/16	2.3	6430333
3/4 x 4	4-3/4	9-15/32	3.7	6430404*
1 x 3	3-31/32	7-15/16	2.4	6430134
1 x 4	4-3/4	9-15/32	3.8	6430401*
1-1/2 x 4	4-3/4	9-15/32	4.0	6430415
2 x 4	4-3/4	9-15/32	4.3	6430420
2 x 6	7-1/8	14-1/4	10.3	6430530
3 x 6	7-1/8	14-1/4	11.7	6430531
4 x 8	8-7/8	17-23/32	24.7	6430583*

CPVC Sch. 80 x PVC Sch. 40				
Size ¹	Dimensions			Part Number
inch	Z (in)	L (in)	Weight (lbs)	
1/2 x 2	2- 3/4	5- 1/2	0.6	6432246
1/2 x 3	3-31/32	7-15/16	1.6	6432332
3/4 x 3	3-31/32	7-15/16	1.6	6432333
3/4 x 4	4-3/4	9-15/32	2.5	6432404*
1 x 3	3-31/32	7-15/16	1.7	6432134
1 x 4	4-3/4	9-15/32	2.6	6432401*
1-1/2 x 4	4-3/4	9-15/32	2.9	6432415
2 x 4	4-3/4	9-15/32	3.2	6432420
2 x 6	7-1/8	14-1/4	6.8	6432530
3 x 6	7-1/8	14-1/4	8.5	6432531
4 x 8	8-7/8	17-23/32	15.3	6432583*

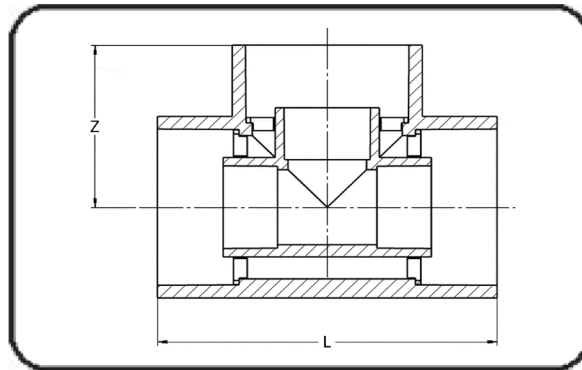
CPVC Sch. 80 x PVC Sch. 80				
Size ¹	Dimensions			Part Number
inch	Z (in)	L (in)	Weight (lbs)	
1/2 x 2	2-15/16	5-7/8	0.9	6433246
1/2 x 3	3-31/32	7-15/16	2.3	6433332
3/4 x 3	3-31/32	7-15/16	2.3	6433333
3/4 x 4	4-3/4	9-15/32	3.7	6433404*
1 x 3	3-31/32	7-15/16	2.4	6433134
1 x 4	4-3/4	9-15/32	3.8	6433401*
1-1/2 x 4	4-3/4	9-15/32	4.0	6433415
2 x 4	4-3/4	9-15/32	4.4	6433420
2 x 6	7-1/8	14-1/4	10.4	6433530
3 x 6	7-1/8	14-1/4	12.1	6433531
4 x 8	8-7/8	17-23/32	24.9	6433583*

Refer to product specification for pressure capabilities

* Couplings on carrier pipe

1. Carrier x Containment

Some CAD models can be found at <https://cad.asahi-america.com>. For any questions on dimensional info, please contact Asahi/America Technical Services at 1-800-343-3618 or asahi@asahi-america.com.



TEE (CONT.)

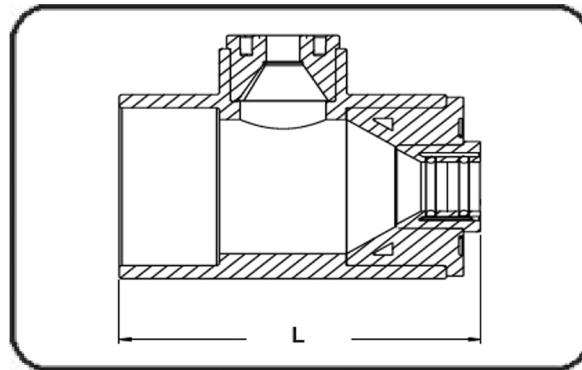
CPVC Sch. 80 x CPVC Sch. 80				
Size ¹	Dimensions			Part Number
inch	Z (in)	L (in)	Weight (lbs)	
1/2 x 2	2-15/16	5-7/8	1.0	6436246
1/2 x 3	3-31/32	7-15/16	2.7	6436332
3/4 x 3	3-31/32	7-15/16	2.7	6436333
3/4 x 4	4-3/4	9-15/32	3.9	6436404*
1 x 3	3-31/32	7-15/16	2.9	6436134
1 x 4	4-3/4	9-15/32	4.0	6436401*
1-1/2 x 4	4-3/4	9-15/32	4.2	6436415
2 x 4	4-3/4	9-15/32	4.6	6436420
2 x 6	7-1/8	14-1/4	13.0	6436530
3 x 6	7-1/8	14-1/4	14.7	6436531
4 x 8	8-7/8	17-23/32	25.3	6436583*

Refer to product specification for pressure capabilities

* Couplings on carrier pipe

1. Carrier x Containment

Some CAD models can be found at <https://cad.asahi-america.com>. For any questions on dimensional info, please contact Asahi/America Technical Services at 1-800-343-3618 or asahi@asahi-america.com.



END TERMINAL w/ TAP

PVC Sch. 80 x PVC Sch. 40 / CPVC Sch. 80 x PVC Sch. 40				
Size ¹	Dimensions			Part Number
inch	H1 (in)	L (in)	Weight (lbs)	
1/2 x 2	2-1/8	4-1/16	0.62	6449246
1/2 x 3	2-23/32	4-15/16	1.41	6449332
3/4 x 3	2-23/32	4-15/16	1.41	6449333
3/4 x 4	2-23/32	4-15/16	1.41	6449134
1 x 3	3-1/2	5-3/4	2.32	6449404
1 x 4	3-1/2	5-3/4	2.32	6449401
1-1/2 x 4	3-1/2	5-3/4	2.32	6449415
2 x 4	3-1/2	5-3/4	2.35	6449420
2 x 6	5-3/8	8-7/8	7.01	6449530*
3 x 6	5-3/8	8-7/8	7.01	6449531*
4 x 8	7	12-1/16	12.98	6449583*

PVC Sch. 80 x PVC Sch. 80 / CPVC Sch. 80 x PVC Sch. 80				
Size ¹	Dimensions			Part Number
inch	H1 (in)	L (in)	Weight (lbs)	
1/2 x 2	2-7/32	4	0.76	6443246
1/2 x 3	3-11/32	5-1/2	1.98	6443332*
3/4 x 3	3-11/32	5-1/2	1.98	6443333*
3/4 x 4	3-11/32	5-1/2	2.00	6443134*
1 x 3	4-11/32	6-1/4	3.12	6443404*
1 x 4	4-11/32	6-1/4	3.12	6443401*
1-1/2 x 4	4-11/32	6-1/4	3.12	6443415*
2 x 4	4-11/32	6-1/4	3.15	6443420*
2 x 6	5-11/16	8-7/8	9.03	6443530*
3 x 6	5-11/16	8-7/8	9.03	6443531*
4 x 8	7-1/2	13-1/4	20.82	6443583*

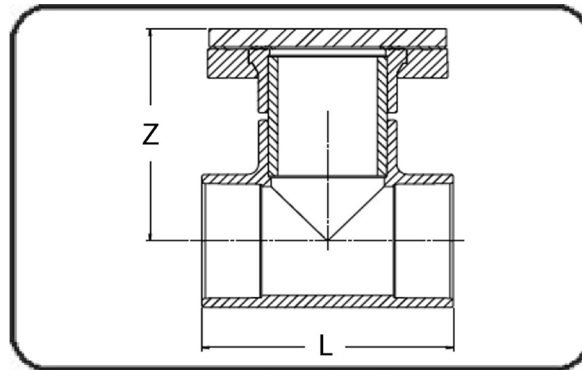
CPVC Sch. 80 x CPVC Sch. 80				
Size ¹	Dimensions			Part Number
inch	H1 (in)	L (in)	Weight (lbs)	
1/2 x 2	2-7/32	4	0.76	6440246
1/2 x 3	3-11/32	5-1/2	1.98	6440332*
3/4 x 3	3-11/32	5-1/2	1.98	6440333*
3/4 x 4	3-11/32	5-1/2	2.00	6440134*
1 x 3	4-11/32	6-1/4	3.12	6440404*
1 x 4	4-11/32	6-1/4	3.12	6440401*
1-1/2 x 4	4-11/32	6-1/4	3.12	6440415*
2 x 4	4-11/32	6-1/4	3.15	6440420*
2 x 6	5-11/16	8-7/8	9.03	6440530*
3 x 6	5-11/16	8-7/8	9.03	6440531*
4 x 8	7-1/2	13-1/4	20.82	6440583*

Refer to product specification for pressure capabilities

* Couplings on carrier pipe

1. Carrier x Containment

Some CAD models can be found at <https://cad.asahi-america.com>. For any questions on dimensional info, please contact Asahi/America Technical Services at 1-800-343-3618 or asahi@asahi-america.com.



ACCESS TEE

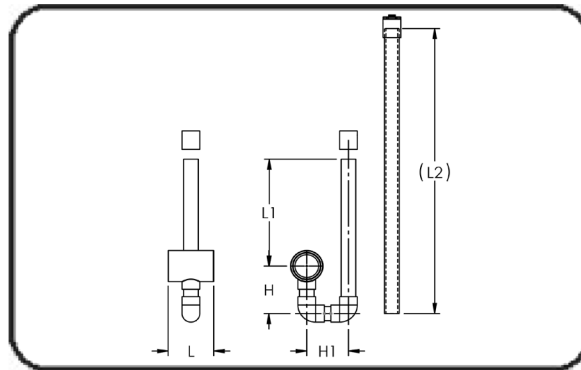
PVC Sch. 80 x PVC Sch. 40 / CPVC Sch. 80 x PVC Sch. 40				
Size ¹	Dimensions			Part Number
inch	Z (in)	L (in)	Weight (lbs)	
2	5-7/32	5-1/2	2.16	6473020
3	6-25/32	7-11/16	3.91	6473030
4	7-3/4	8-7/8	5.86	6473040
6	10-27/32	13-5/16	11.00	6473060
8	13-3/4	17-1/16	19.05	6473080

PVC Sch. 80 x PVC Sch. 80 / CPVC Sch. 80 x PVC Sch. 80				
Size ¹	Dimensions			Part Number
inch	Z (in)	L (in)	Weight (lbs)	
2	5-13/32	5-7/8	2.45	6475020
3	6-29/32	7-15/16	4.61	6475030
4	8-1/16	9-15/32	7.03	6475040
6	10-31/32	13-19/32	14.62	6475060
8	14-3/32	17-23/32	28.71	6475080

CPVC Sch. 80 x CPVC Sch. 80				
Size ¹	Dimensions			Part Number
inch	Z (in)	L (in)	Weight (lbs)	
2	5-13/32	5-7/8	2.52	6481020
3	6-29/32	7-15/16	5.03	6481030
4	8-1/16	9-15/32	7.23	6481040
6	11-5/16	14-1/4	17.29	6481060
8	14-3/32	17-23/32	29.06	6481080

Refer to product specification for pressure capabilities
 * Couplings on carrier pipe
 1. Size of containment pipe

Some CAD models can be found at <https://cad.asahi-america.com>. For any questions on dimensional info, please contact Asahi/America Technical Services at 1-800-343-3618 or asahi@asahi-america.com.



LOW POINT LEAK DETECTION SYSTEM

PVC Sch. 80 x PVC Sch. 40 / CPVC Sch. 80 x PVC Sch. 40							
Size ¹	Dimensions						Part Number
inch	L (in)	H (in)	H1 (in)	L1 (in)	L2 (in)	Weight (lbs)	
2	5-1/2	6-5/8	6-1/2	18	48	5.56	6482020
3	6-7/8	8-3/32	6-1/2	18	48	6.50	6482030
4	6-7/8	9-3/8	6-1/2	24	60	7.40	6482040
6	9-11/16	13-23/32	6-1/2	24	60	10.95	6482060
8	12-1/16	17-15/32	6-1/2	24	60	16.63	6482080

PVC Sch. 80 x PVC Sch. 80 / CPVC Sch. 80 x PVC Sch. 80							
Size ¹	Dimensions						Part Number
inch	L (in)	H (in)	H1 (in)	L1 (in)	L2 (in)	Weight (lbs)	
2	5-7/8	6-3/8	7	18	48	7.89	6484020
3	6-5/8	7-13/32	7	18	48	9.24	6484030
4	7-3/8	8-3/16	7	24	60	10.61	6484040
6	8-7/8	10-7/32	7	24	60	16.61	6484060
8	13-1/4	12-5/16	7	24	60	28.33	6484080

CPVC Sch. 80 x CPVC Sch. 80							
Size ¹	Dimensions						Part Number
inch	L (in)	H (in)	H1 (in)	L1 (in)	L2 (in)	Weight (lbs)	
2	5-7/8	7	6-3/4	18	48	8.68	6584020
3	6-5/8	7-3/8	6-3/4	18	48	10.38	6584030
4	7-3/8	8	6-3/4	24	60	11.53	6584040
6	8-7/8	9-5/16	7	24	60	20.00	6584060
8	13-1/4	11-9/16	7	24	60	29.40	6584080

Refer to product specification for pressure capabilities
 All risers are 2". L1 and L2 dimensions are minimum lengths
 * Couplings on carrier pipe
 1. Size of containment pipe

Some CAD models can be found at <https://cad.asahi-america.com>. For any questions on dimensional info, please contact Asahi/America Technical Services at 1-800-343-3618 or asahi@asahi-america.com.