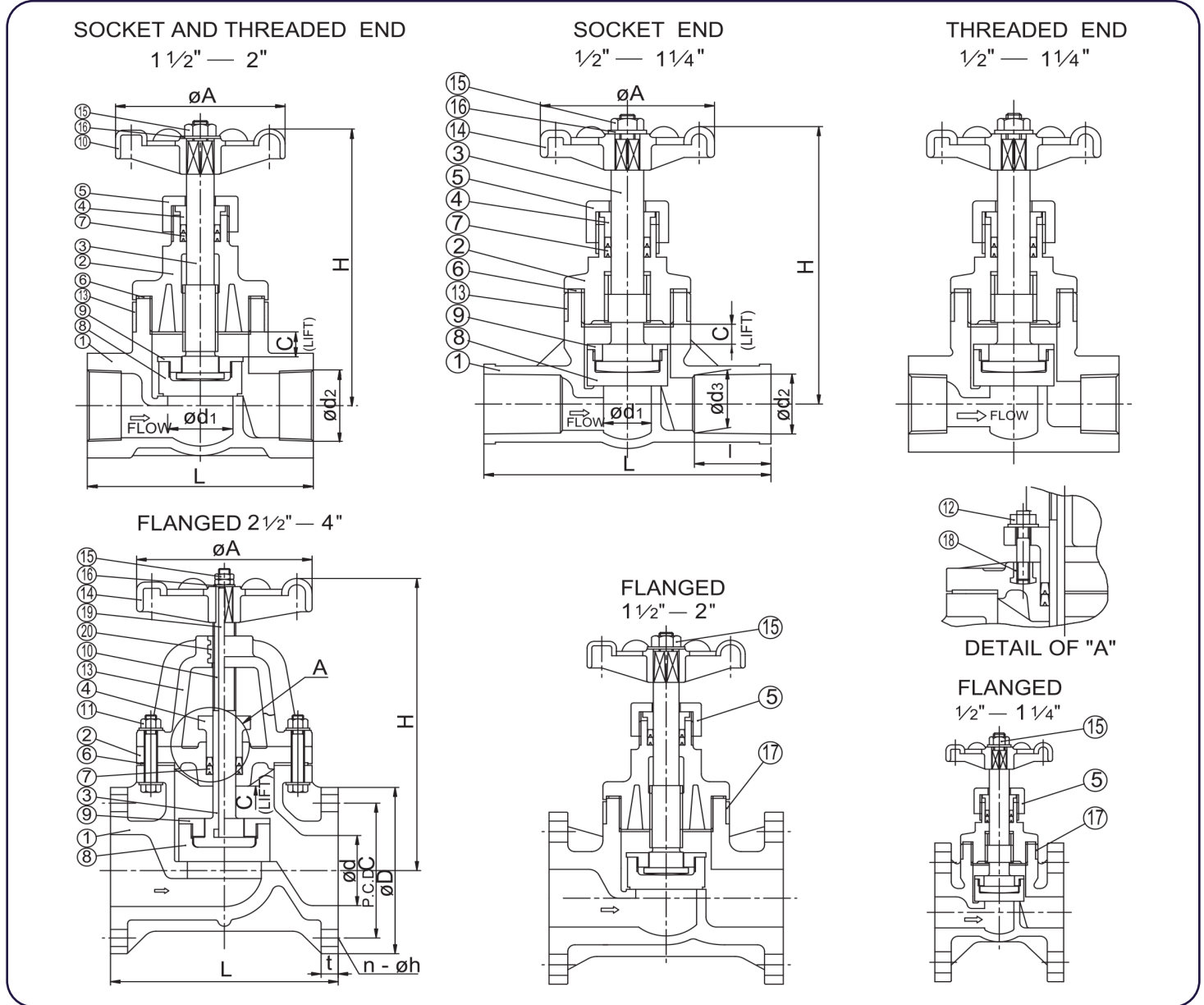


# Globe Valve Dimensional Guide

DIMENSIONS (SIZES 1/2" - 4") (INCHES):



Nominal Size		Flanged								Socket & Threaded								
		Wt. (lbs)	d	C	D	L	t	LIFT C	H (open)	Wt. (lbs)	Threaded		Socket			LIFT C	d1	H (open)
inch	mm										d2	L	d2	L	l			
1/2	15	0.88	0.71	2.38	3.50	3.35	0.47	0.31	5.20	0.66	NPT 1/2	3.35	0.85	4.33	1.18	0.32	0.59	5.20
3/4	20	1.10	0.94	2.75	3.88	3.74	0.55	0.31	5.51	1.10	NPT 3/4	3.74	1.06	5.12	1.38	0.32	0.71	5.51
1	25	2.20	1.10	3.12	4.25	4.33	0.55	0.43	6.34	1.10	NPT 1	4.33	1.33	5.91	1.58	0.43	0.98	6.34
1-1/4	32	2.90	1.46	3.50	4.62	5.31	0.63	0.51	6.57	1.30	NPT 1-1/4	5.32	1.67	5.32	0.98	0.51	1.38	6.58
1-1/2	40	4.41	1.61	3.88	5.00	7.48	0.63	0.79	9.06	2.70	NPT 1-1/2	5.51	1.91	5.51	0.98	0.79	1.61	9.06
2	50	5.30	2.05	4.75	6.00	7.87	0.63	0.94	9.92	3.50	NPT 2	7.09	2.38	7.09	1.06	0.95	2.05	9.92
2-1/2	65	13.25	2.64	5.50	7.00	8.66	0.71	1.38	13.58	-	-	-	-	-	-	-	-	-
3	80	15.00	3.07	6.00	7.50	9.45	0.71	1.38	14.13	-	-	-	-	-	-	-	-	-
4	100	22.00	3.94	7.50	9.00	11.42	0.71	1.57	16.50	-	-	-	-	-	-	-	-	-

Note: The shape and appearance of assembly differ slightly with nominal size compared to the drawing.

# Globe Valve Dimensional Guide

## PARTS LIST (THREADED & SOCKET, SIZES 1/2" - 2"):

Parts List			
No.	Description	Pcs.	Material
1	Body	1	PVC, PP
2	Bonnet	1	PVC, PP
3	Stem	1	PVC, PP
4	Gland	1	PVC, PP
5	Gland nut	1	PVC, PP
6	Gland gasket	1	EPDM, FKM
7	Gland packing	1	EPDM, FKM
8	Disc	1	PP
9	Stem holder	1	PP
13	Ring	1	Stainless steel 304
14	Handwheel	1	PP
15	Nut	1	PVC
16	Washer	1	PVC

## PARTS LIST (FLANGED, SIZES 1/2" - 4"):

Parts List			
No.	Description	Pcs.	Material
1	Body	1	PVC, PP
2	Bonnet	1	PVC, PP
3	Stem	1	PVC, PP
4	Gland	1	PVC, PP
5	Gland nut	1	PVC, PP
6	Gland gasket	1	EPDM, FKM
7	Gland packing	1	EPDM, FKM
8	Disc	1	PP
9	Stem holder	1	PVC, PP
10	Stem with trapezoid screw seat	1	Copper alloy
11	Bolt, nut, washer	8	Stainless steel 304
12	Stud bolt, nut	2	Stainless steel 304
13	Stem support	1	PP
14	Handwheel	1	PP
15	Nut (A)*	1	PVC (1/2" - 2")
		2	Stainless steel 304
16	Washer*	1	PVC (1/2" - 2")
		1	Stainless steel 304
17	Reinforcing ring	1	Stainless steel 304
18	Inserted nut	1	Copper alloy
19	Stem metal insert	1	Steel
20	Inserted metal	1	Bronze

\* PVC nut and washer on sizes 1/2" through 2"