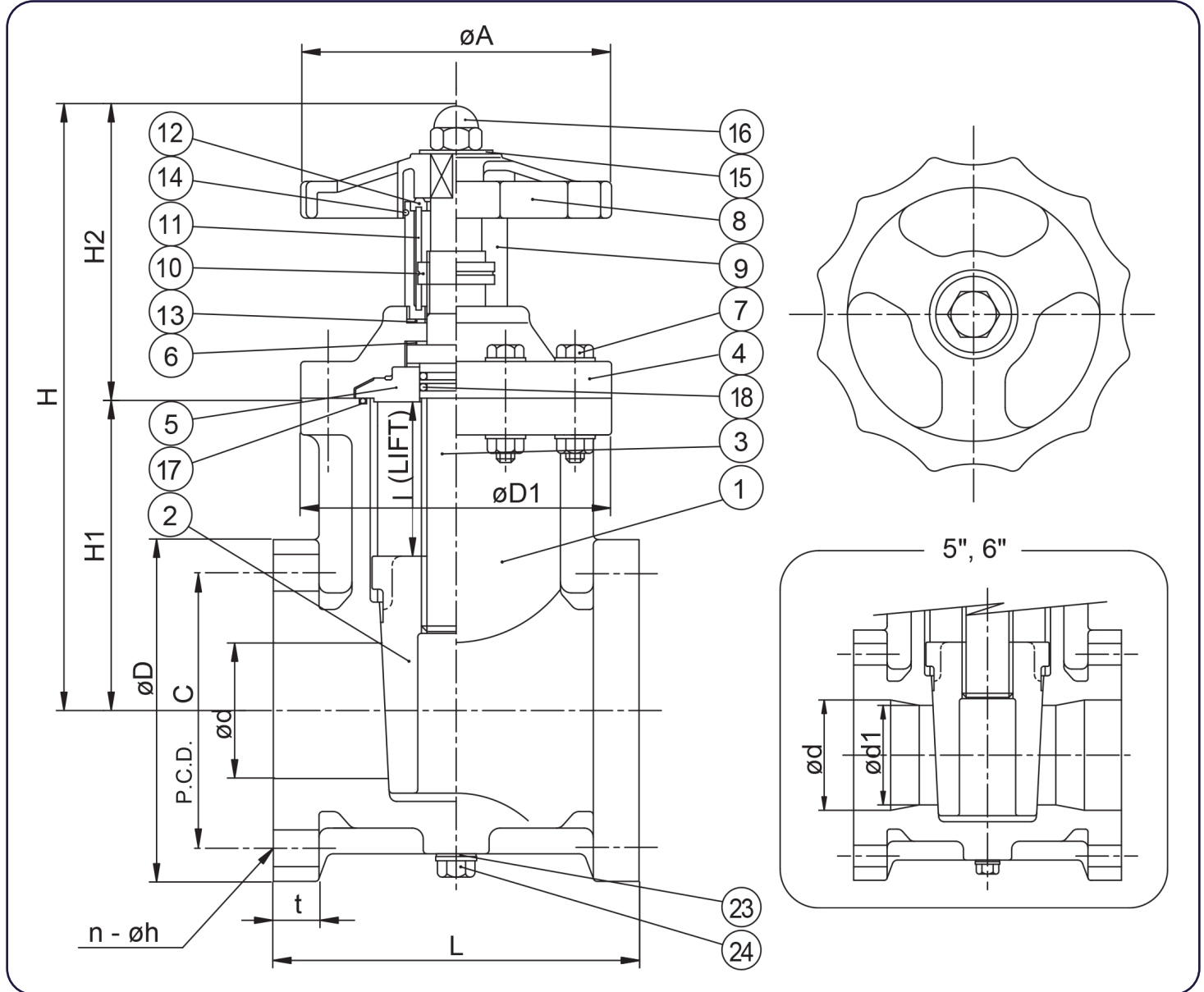


# Gate Valve Dimensional Guide

DIMENSIONS (SIZES 1-1/2" - 6")(INCHES):

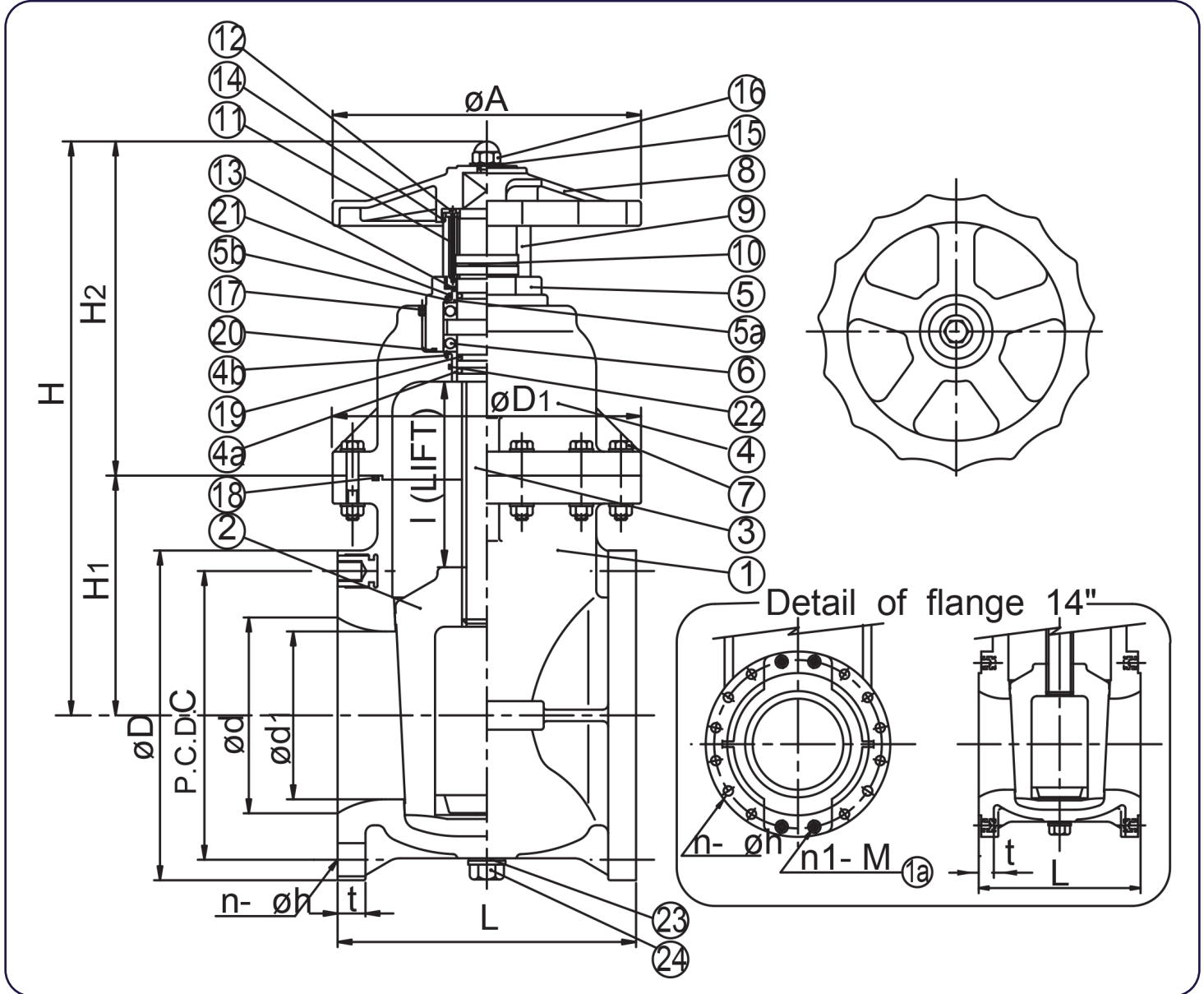


Nominal Size		d	ANSI Class 150					L	t	D1	A	l	H1	H2	H
inch	mm		d1	D	C	n	h								
1-1/2	40	1.57	-	5.00	3.88	4	0.62	6.50	0.87	4.72	4.72	1.93	4.21	5.20	9.41
2	50	1.97	-	6.00	4.75	4	0.75	7.01	0.91	5.12	5.12	2.36	5.28	5.35	10.63
2-1/2	65	2.56	-	7.00	5.50	4	0.75	7.48	0.94	6.10	6.10	2.95	5.98	5.91	11.89
3	80	2.95	-	7.50	6.00	4	0.75	7.99	0.98	6.69	6.69	3.35	6.69	6.10	12.79
4	100	3.94	-	9.00	7.50	8	0.75	9.02	1.06	7.68	7.68	4.33	8.15	6.42	14.57
5	125	4.92	4.33	10.00	8.50	8	0.88	10.24	1.06	9.25	9.25	4.61	8.94	7.09	16.03
6	150	5.91	5.12	11.00	9.50	8	0.88	10.51	1.06	10.63	10.63	5.43	10.35	7.17	17.52

Note: The shape and appearance of assembly differ slightly with nominal size compared to the drawing.

# Gate Valve Dimensional Guide

DIMENSIONS (SIZES 8" - 14")(INCHES):



Nominal Size		d	d1	ANSI Class 150					L	t	D1	A	l	H1	H2	H
inch	mm			D	C	n	h	n1 - M								
8	200	7.72	6.61	13.50	11.75	6	0.88	2 - 3/4 UNC	11.50	1.10	12.20	12.20	7.09	9.45	13.27	22.72
10	250	9.72	8.27	16.00	14.25	12	0.98	-	14.96	1.18	14.17	14.17	8.90	10.63	16.54	27.17
12	300	11.73	10.04	19.00	17.00	10	0.98	2 - 7/8 UNC	15.75	1.22	16.14	16.14	10.75	12.60	18.90	31.50
14	350	13.70	11.69	21.00	18.75	8	1.14	4 - 1 UNC	16.93	1.26	17.32	17.91	12.56	12.20	23.62	35.83

Note: The shape and appearance of assembly differ slightly with nominal size compared to the drawing.

# Gate Valve Dimensional Guide

## PARTS LIST (SIZES 1-1/2" - 6"):

Parts List			
No.	Description	Pcs.	Material
1	Body	1	HI-PVC
2	Gate (plug)	1	PP
3	Stem	1	HI-PVC
4	Bonnet (A)	1	HI-PVC
5	Bonnet (B)*	1	HI-PVC
6	Thrust bearing	1 set	PP
7	Bolt, nut, washer	1	Stainless steel 304
8	Handwheel	1	PP
9	Indicating cover	1	PC
10	Indicating ring	1	PVC
11	Guide pin	1	Stainless steel 304
12	Guide pin holder	1	PVC
13	Gasket	1	EPDM
14	O-ring (A)	1	EPDM
15	Washer	1	PVC
16	Nut	1	Stainless steel 304
17	O-ring (B)	1	EPDM, FKM
18	O-ring (C)	2	EPDM, FKM
23	Sheet gasket	1	EPDM, FKM
24	Plug	1	PVC

\* Stem holder

# Gate Valve Dimensional Guide

## PARTS LIST (SIZES 8" - 14"):

Parts List			
No.	Description	Pcs.	Material
1	Body	1	HI-PVC
2	Gate (plug)	1	PP
3	Stem	1	HI-PVC
4	Bonnet (A)	1	HI-PVC
4a	Bush (A)	1	PP
4b	Knock pin (A)	1	PP
5	Bonnet (B)*	1	HI-PVC
5a	Bush (B)	1	PP
5b	Knock pin (B)	1	PP
6	Thrust bearing	1 set	PP
7	Bolt, nut, washer	-	Stainless steel 304
8	Handwheel	1	PP
9	Indicating cover	1	PC
10	Indicating ring	1	PVC
11	Guide pin	1	Stainless steel 304
12	Guide pin holder	1	PVC
13	Gasket	1	EPDM
14	O-ring (A)	1	EPDM
15	Washer	1	PVC
16	Nut	1	Stainless steel 304
17	Screw	1	Stainless steel 304
18	O-ring (B)	1	EPDM, FKM
19	O-ring (C)	3	EPDM, FKM
20	O-ring (D)	1	EPDM, FKM
21	O-ring (E)	1	EPDM, FKM
22	O-ring (F)	1	EPDM, FKM
23	Sheet gasket	1	EPDM, FKM
24	Plug	1	PVC
1a	Body metal inserts	-**	Copper alloy

\* Stem holder

\*\* For 8" and 12" sizes: 4 inserts. For 14" size: 8 inserts.