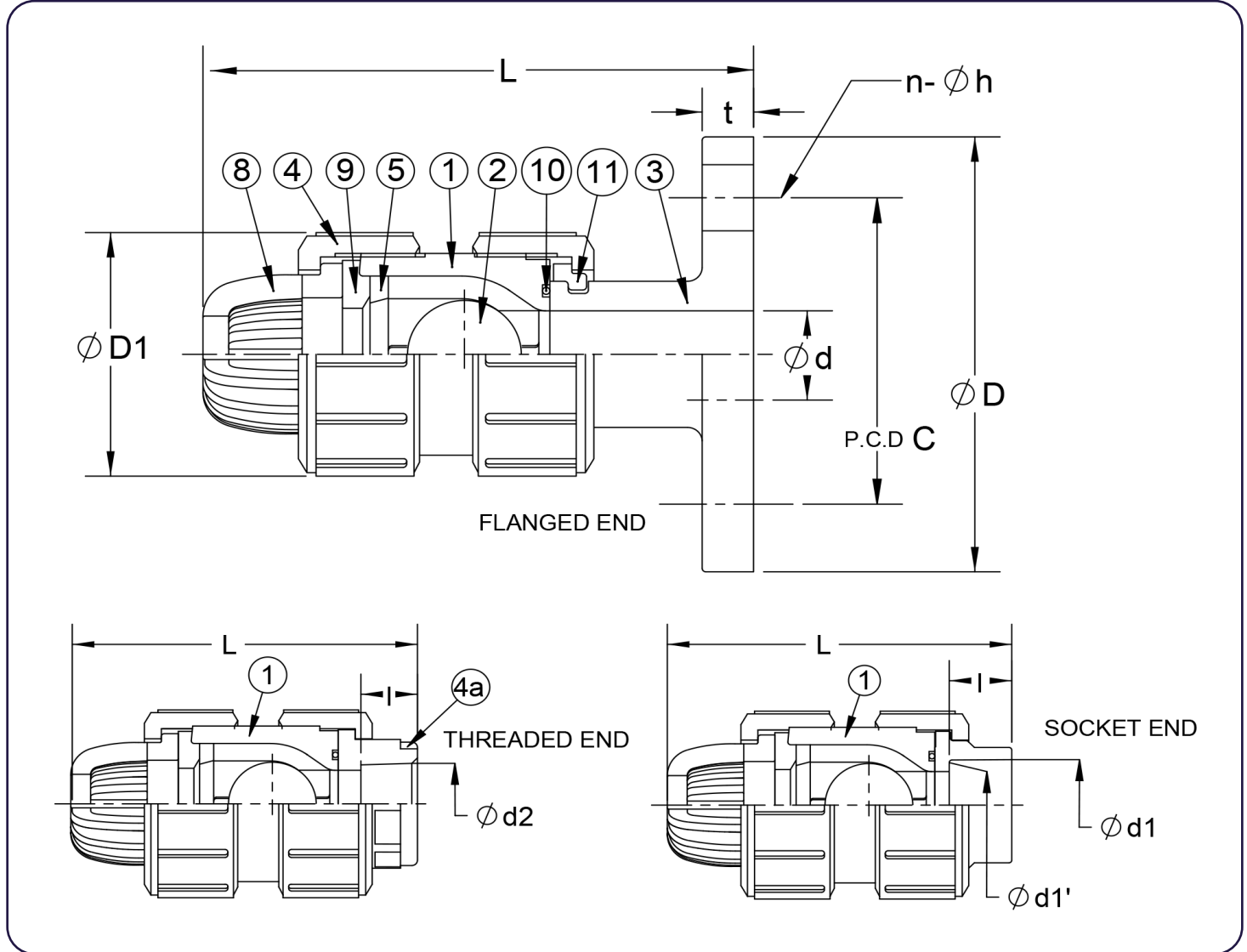


Foot Valve Dimensional Guide

DIMENSIONS (SIZES 1/2" - 2") (INCHES):

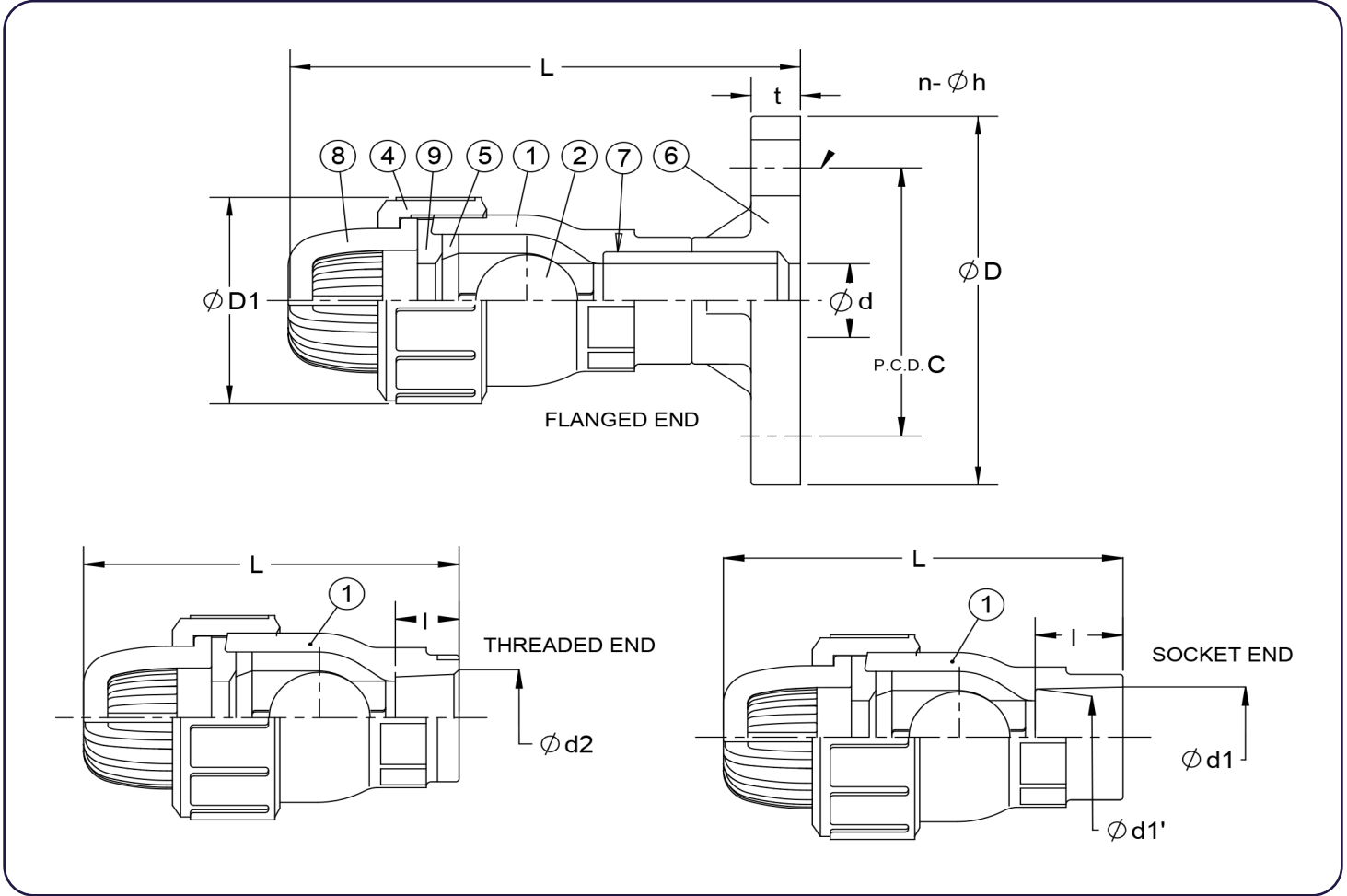


Nominal Size		d1	Socket	Threaded		Flanged	
				PVC, CPVC	PVDF, PP	PVC, CPVC	PVDF, PP
inch	mm		L	L	L	L	L
1/2	15	1.89	3.74	3.74	3.62	4.61	4.53
3/4	20	2.36	4.25	4.33	4.21	5.39	5.31
1	25	2.76	4.80	4.84	4.72	5.87	5.79
1-1/2	40	3.78	7.17	7.17	7.05	7.99	7.91
2	50	4.17	7.72	7.83	7.72	8.58	8.50

Note: The shape and appearance of assembly differ slightly with nominal size compared to the drawing.

Foot Valve Dimensional Guide

DIMENSIONS (SIZES 3" - 4") (INCHES):



Nominal Size		d1	Socket	Threaded		Flanged	
				PVC, CPVC	PVDF, PP	PVC, CPVC	PVDF, PP
inch	mm		L	L	L	L	L
3	80	5.98	12.09	11.57	11.34	16.10	13.23
4	100	8.27	14.96	14.72	14.41	20.41	16.34

Note: The shape and appearance of assembly differ slightly with nominal size compared to the drawing.

Foot Valve Dimensional Guide

PARTS LIST (SIZES 1/2" - 2"):

Parts List			
No.	Description	Pcs.	Material
1	Body	1	PVC, CPVC, PP, PVDF
2	Ball	1	PVC, CPVC, PP, PVDF
3	End connector	1	PVC, CPVC, PP, PVDF
4	Union nut	2	PVC, CPVC, PP, PVDF
5	Stop ring (A)	1	PVC, CPVC, PP, PVDF
7	Flange	1	EPDM, FKM, PTFE
8	Screen	1	PVC, CPVC, PP, PVDF
9	Seat	1	EPDM, FKM, PTFE
10	O-ring	2	EPDM, FKM, PTFE
11	Stop ring (B)*	1	PVDF
4a	Ring	1	Stainless steel 304

* Used for flanged end

PARTS LIST (SIZES 3" - 4"):

Parts List			
No.	Description	Pcs.	Material
1	Body	1	PVC, CPVC, PP, PVDF
2	Ball	1	PVC, CPVC, PP, PVDF
3	End connector	1	PVC, CPVC, PP, PVDF
4	Union nut	2	PVC, CPVC, PP, PVDF
5	Stop ring (A)	1	PVC, CPVC, PP, PVDF
6	Stub (2)	1	PVC, CPVC, PP, PVDF
7	Flange	1	PVC, CPVC, PP, PVDF
8	Screen	1	PVC, CPVC, PP, PVDF
9	Seat	1	EPDM, FKM, PTFE
4a	Ring	1	Stainless steel 304