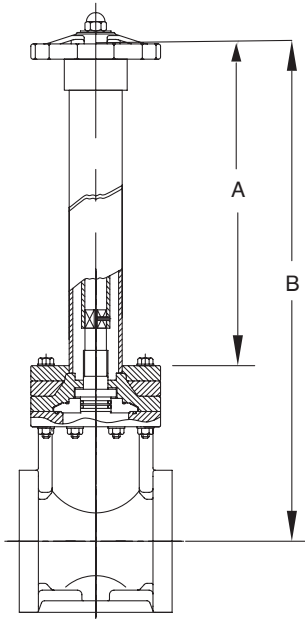
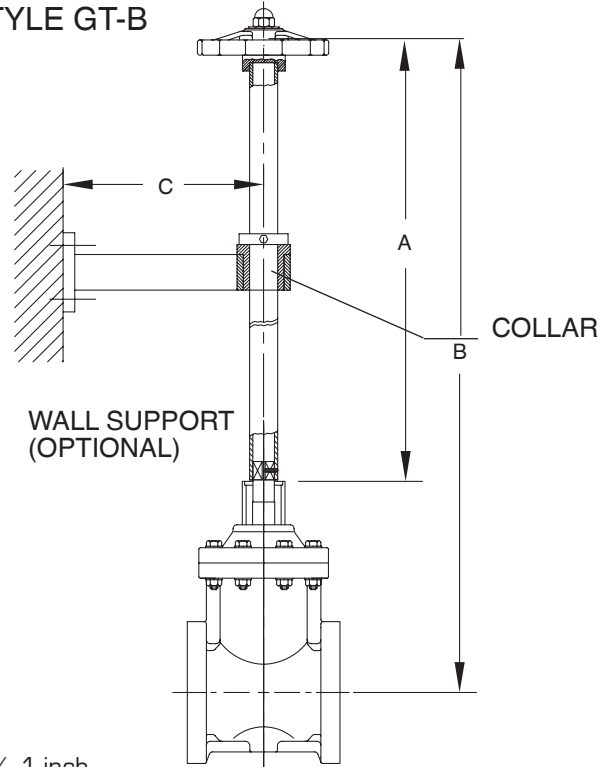


STYLE GT-A



STYLE GT-B



All stem extension tolerances +/- 1 inch

Please use **Stem Extension Work Sheet** on **Page 23** when ordering any stem extension

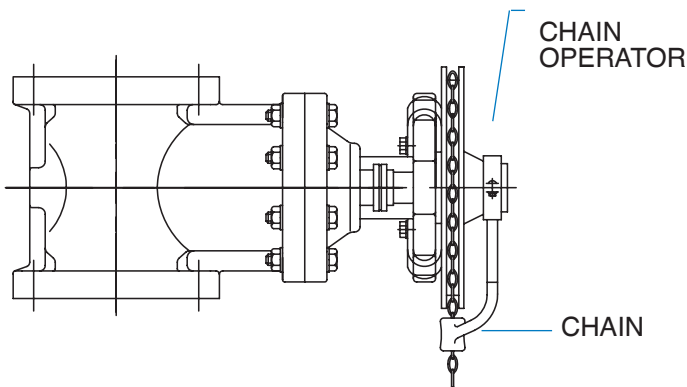
Two-piece Stem Housing

For submerged or buried applications. PVC housing protects stem extensions from aggressive environments. Stems are available in carbon steel with baked powder epoxy coating, stainless steel (303 and 316, etc.)

Single Stem Extensions (Non-supported)

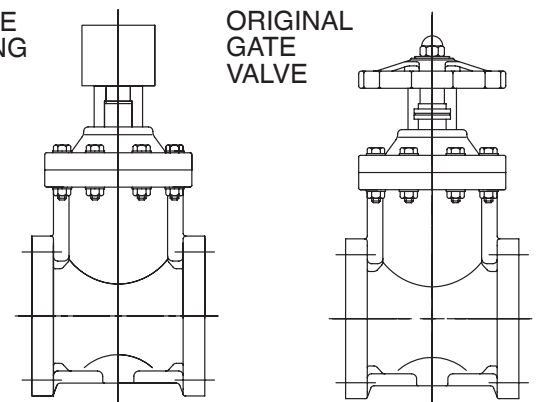
Valve handle can be extended away from the valve for out-of-reach locations. Stems come in carbon steel with baked powder epoxy coating, stainless steel (303 and 316, etc.)

Option: Wall-support (patented) and collar



2" SQUARE OPERATING NUT

ORIGINAL GATE VALVE



Chain Operator

For overhead, out-of-reach locations. The valve is operated by pulling on the chain installed on round handwheel.

Remote Operating Nuts

2" square configuration on valve stem, replacing the handwheel. Used for remote operation of a valve by an extended wrench.

Material: 6061 aluminum, anodized finish

Locking Mechanism

Prevents unauthorized cycling of a valve. Designed to be secured with a padlock. Two designs.