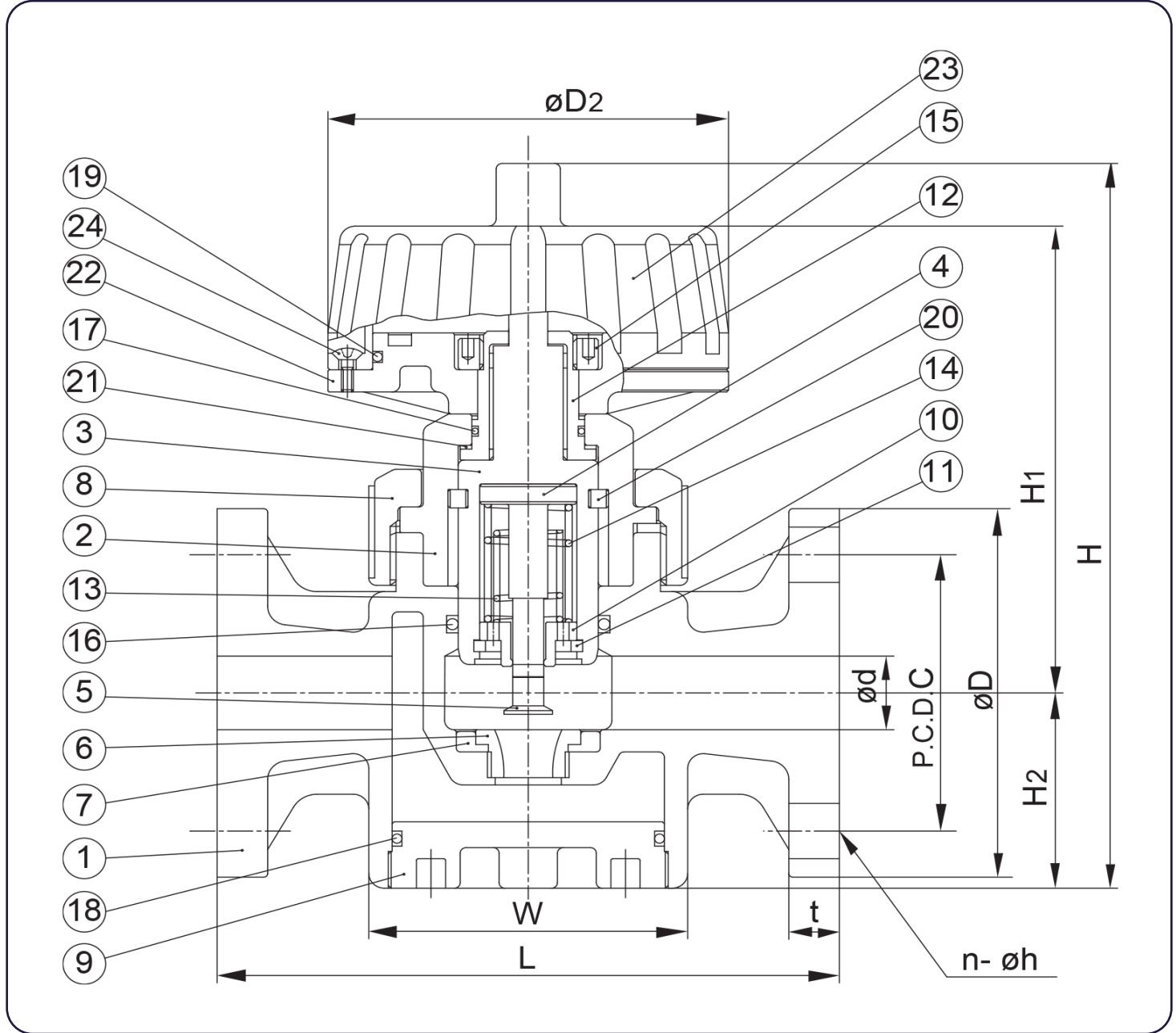


# Constant Flow Valve Dimensional Guide

DIMENSIONS (SIZES 1/2" - 3/4")(INCHES):

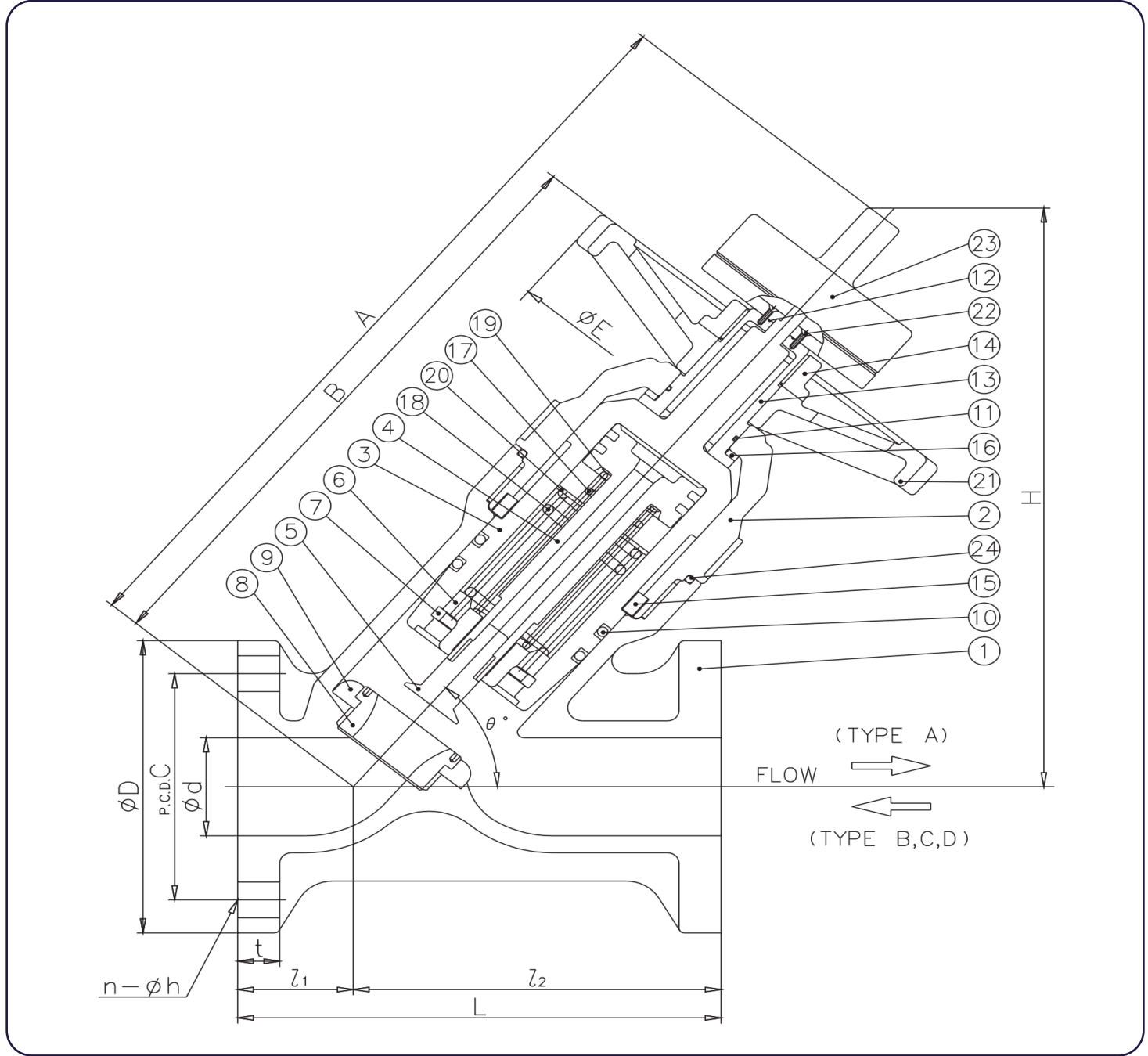


Nominal Size		d	D	c	n	h	L	t	W	D2	H	H1	H2
inch	mm												
1/2	15	0.63	3.50	2.38	4	0.62	6.30	0.47	3.23 x 3.23	4.06	7.76	5.08	2.01
3/4	20	0.79	3.88	2.75	4	0.62	6.30	0.51	3.23 x 3.23	4.06	7.76	5.00	2.09

Note: The shape and appearance of assembly differ slightly with nominal size compared to the drawing.  
 Note: The piston for Type B, C, and D valves does not have inlet fluid passage.  
 Note: The pressure differential, (P1 - P2), exerts directly on the plug surface.

# Constant Flow Valve Dimensional Guide

DIMENSIONS (SIZES 1" - 4")(INCHES):



Nominal Size		d	ANSI Class 150				l1	l2	L	t	A	B	H	E	Degree
inch	mm		D	C	n	h									
1	25	0.98	4.25	3.12	4	0.62	1.57	4.72	6.30	0.55	10.71	7.91	8.58	5.91	50
2	50	2.05	6.00	4.75	4	0.75	2.17	6.89	9.06	0.79	15.35	12.17	12.09	8.27	50
3	80	3.07	7.50	6.00	4	0.75	2.76	8.27	11.02	0.87	19.06	15.24	14.84	8.27	50

Nominal Size		d	D	ANSI Class 150			l1	l2	L	t	A	B	H	E	Degree
inch	mm			C	n	h									
4	100	3.94	8.66	7.50	8	0.75	3.35	12.40	15.75	0.87	24.53	19.02	17.56	9.84	50

Note: The shape and appearance of assembly differ slightly with nominal size compared to the drawing.

# Constant Flow Valve Dimensional Guide

## PARTS LIST (SIZES 1/2" - 3/4"):

Parts List			
No.	Description	Pcs.	Material
1	Body	1	PVC
2	Bonnet	1	PVC
3	Cylinder	1	PVC
4	Piston	1	PVC
5	Plug	1	PVC
6	Orifice	1	PVC
7	Seat	1	EPDM
8	Cap nut	1	PVC
9	Cap	1	PVC
10	Spring base	1	PVC
11	Stop ring	1	PVDF
12	Sleeve	1	Copper alloy
13	Spring (A)	1	Stainless steel 304*
14	Spring (B)	1	Stainless steel 304*
15	Nut	1	PVC
16	O-ring (A)	1	EPDM
17	O-ring (B)	1	EPDM
18	O-ring (C)	1	EPDM
19	O-ring (D)	1	EPDM
20	Key	2	PP
21	Thrust ring	1	PP
22	Handle base	1	PVC
23	Handle cover	1	PVC
24	Screw	4	Stainless steel 304

\* with PCTFE coating

# Constant Flow Valve Dimensional Guide

## PARTS LIST (SIZES 1" - 4"):

Parts List			
No.	Description	Pcs.	Material
1	Body	1	PVC
2	Bonnet	1	PVC
3	Cylinder	1	PVC
4	Piston	1	PVC
5	Plug	1	PVC
6	Spring base	1	PVC
7	Stop ring	1	PVDF
8	Orifice	1	PVC
9	Seat	1	EPDM
10	O-ring (A)	1	EPDM
11	O-ring (B)	1	EPDM
12	O-ring (C)	1	EPDM
13	Sleeve	1	Copper alloy
14	Cap	1	PVC
15	Key	1	PVC
16	Thrust ring	1	PP
17	Spring (A)	1	Stainless steel 304*
18	Spring (B)	1	Stainless steel 304*
19	Washer (A)	1	PVC
20	Washer (B)	2	PVC
21	Handle wheel	1	PP
22	Screw	1	Copper alloy
23	Lift indicator	1	PVC
24	O-ring (D)	1	EPDM

\* with PCTFE coating