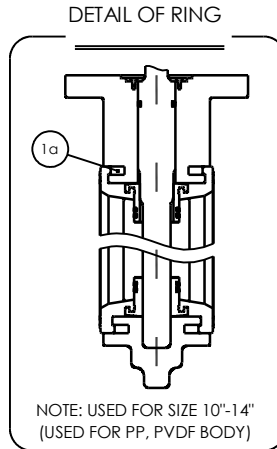


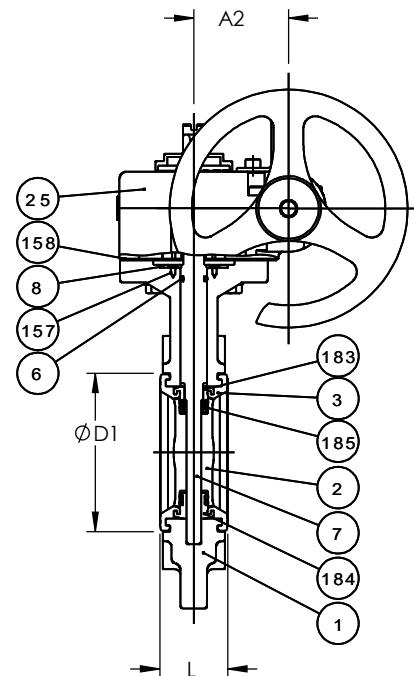
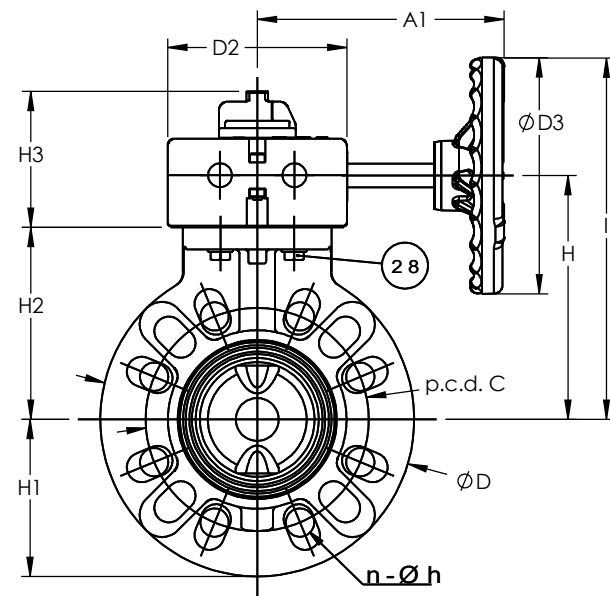
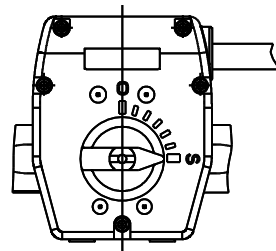
REV	DATE	DESCRIPTION	BY	FROM
A	2/7/17	FIRST ISSUE	JH	DH



DIMENSIONS TABLE

NOMINAL SIZE	ANSI CLASS 150																NUMBER OF HANDLE WHEEL ROTATION	GEAR BOX TYPE	
	d	C	n	h	D	D1	D2	D3	L	H	H1	H2	H3	I	A1	A2			
1 1/2"	40mm	1.77	3.88	4	0.62	5.91	2.83	4.80	6.30	1.54	5.12	2.95	3.74	3.54	8.27	6.57	2.52	9.5	241
2	50	2.20	4.75	4	0.75	6.50	3.23	4.80	6.30	1.65	5.51	3.25	4.13	3.54	8.66	6.57	2.52		
2 1/2	65	2.72	5.50	4	0.75	7.28	3.78	4.80	6.30	1.81	5.91	3.64	4.53	3.54	9.06	6.57	2.52		
3	80	3.03	6.00	4	0.75	8.31	4.17	4.80	6.30	1.81	6.50	4.15	5.12	3.54	9.65	6.57	2.52		
4	100	4.02	7.50	8	0.75	9.37	5.31	4.80	6.30	2.20	7.09	4.69	5.71	3.54	10.24	6.57	2.52		
5	125	5.08	8.50	8	0.88	10.39	6.69	4.80	6.30	2.60	7.68	5.20	6.30	3.54	10.83	6.57	2.52		
6	150	5.91	9.50	8	0.88	11.22	7.52	4.80	6.30	2.80	8.27	5.61	6.89	3.54	11.42	6.57	2.52		
8	200	7.68	11.75	8	0.88	13.39	9.53	4.80	6.30	3.43	9.49	6.69	8.11	3.54	12.64	6.57	2.52		
10	250	9.84	14.25	12	1.00	16.57	11.89	4.80	6.30	4.33	10.87	8.31	9.49	3.62	14.02	6.57	2.52	243	
12	300	11.93	17.00	12	1.00	19.21	14.17	7.40	11.81	5.08	13.39	9.61	11.73	4.25	19.29	10.71	3.90		
14	350	13.82	18.75	12	1.12	21.22	15.47	7.40	11.81	5.08	14.45	10.63	12.80	4.25	20.35	10.71	3.90		

NOTE: THE SHAPE AND APPEARANCE OF ASSEMBLY DIFFER A LITTLE WITH NOMINAL SIZE COMPARED TO THE DRAWING



1a	RING	2	STEEL 400 (Unichrome Coated)	PP, PVDF BODY USED FOR SIZE 10-14
158	GASKET (L)	1	EPDM	
157	SCREW (F)	4	STAINLESS STEEL 304	
28	BOLT (C)	4	STAINLESS STEEL 304	
25	GEAR BOX	1	PLASTIC, ETC.	
8	STEM RETAINER (A)	1	PP	
7	STEM	1	<input type="checkbox"/> STAINLESS STEEL 403 <input type="checkbox"/> STAINLESS STEEL 316	
185	O-RING (I)	4	<input type="checkbox"/> EPDM <input type="checkbox"/> FKM <input type="checkbox"/> OTHERS ()	
6	O-RING (C)	1		
3	SEAT	1		
184	SEAT BUSH (B)	1	BODY / DISC <input type="checkbox"/> PVC <input type="checkbox"/> PVC <input type="checkbox"/> CPVC <input type="checkbox"/> CPVC <input type="checkbox"/> PP <input type="checkbox"/> PP <input type="checkbox"/> PVDF <input type="checkbox"/> PVDF	
183	SEAT BUSH (A)	1		
2	DISC	1		
1	BODY	1		
NO.	DESCRIPTION	NO. REQ'D	MATERIAL	REMARKS

UNLESS OTHERWISE SPECIFIED
DIMENSIONS ARE IN INCHES

MACHINING	2 PL DECIMALS	± .01
TOLERANCES:	3 PL DECIMALS	± .005
	ANGULAR	± 1/2°
FABRICATION	FRACTIONAL	± 1/64
	1/2" - 8"	± 1/4
TOLERANCES:	10" AND UP	± 1/2
	ANGULAR	± 1.0°
WELD TYPE:	N/A	
MATERIAL:	AS NOTED	
FINISH:	125μ'	

THIS DRAWING AND ALL INFORMATION HEREIN IS THE PROPERTY OF ASAHI/AMERICA. ANY COPYING, REPRODUCTION OR UNAUTHORIZED USE IS FORBIDDEN WITHOUT WRITTEN CONSENT.

NAME	DATE
DR J. Hughes	02/07/17
REV	
APPR D. Hurley	02/08/17
PRODUCT: VALVE & ACT	
WO#/SO#	

ASAHI/AMERICA
ISO 9001 CERTIFIED
655 ANDOVER STREET, LAWRENCE, MA

BUTTERFLY VALVE TYPE57P GEAR TYPE 1-1/2" THRU 14"

JDE PART # 0172BF57P

SIZE B DWG # **0172BF57P** REVISION A

SCALE N/A SHEET 1 OF 1