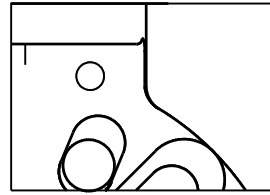


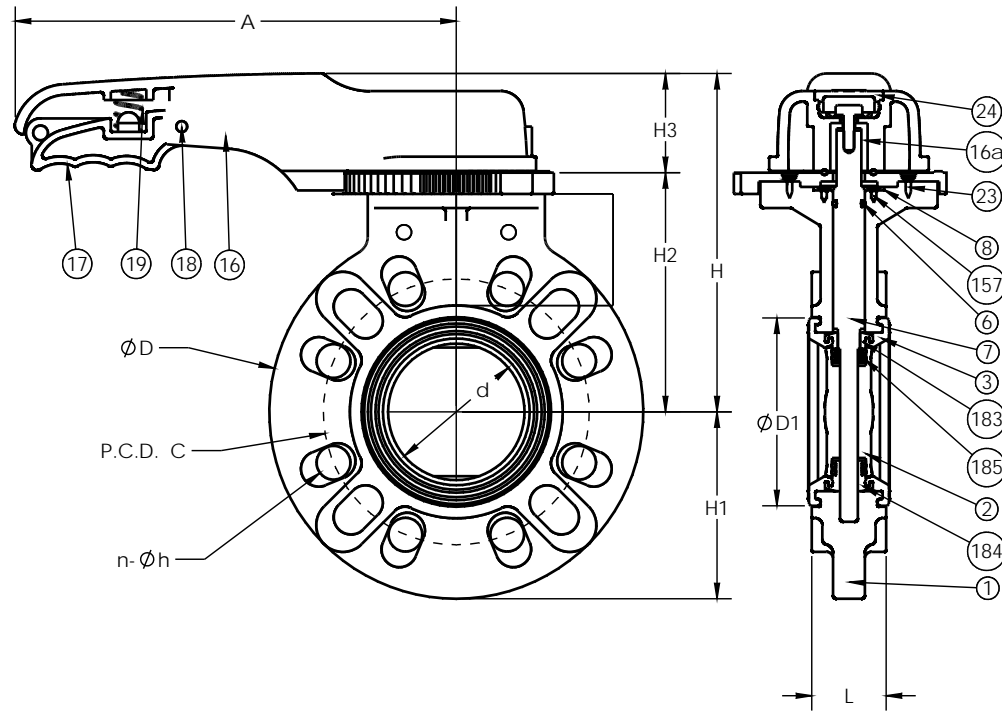
		ANSI CLASS 150											
NOMINAL SIZE		d	C	n	h	D	D1	L	H	H1	H2	H3	A
1 1/2"	40mm	1.77	3.88	4	0.62	5.91	2.83	1.54	6.14	2.95	3.94	2.20	8.66
2	50	2.20	4.75	4	0.75	6.50	3.23	1.65	6.54	3.25	4.33	2.20	8.66
2 1/2	65	2.72	5.50	4	0.75	7.28	3.78	1.81	6.93	3.64	4.72	2.20	8.66
3	80	3.03	6.00	4	0.75	8.31	4.17	1.81	7.52	4.15	5.31	2.20	9.84
4	100	4.02	7.50	8	0.75	9.37	5.31	2.20	8.11	4.69	5.91	2.20	9.84
5	125	5.08	8.50	8	0.88	10.39	6.69	2.60	9.33	5.20	6.61	2.72	12.60
6	150	5.91	9.50	8	0.88	11.22	7.52	2.80	9.92	5.61	7.20	2.72	12.60
8	200	7.68	11.75	8	0.88	13.39	9.53	3.43	11.14	6.69	8.43	2.72	15.75



DETAIL OF TAG HOLE

VALVE SIZE	Ø	#TAG HOLE
1-1/2" - 8"	8mm	2

REV	DATE	DESCRIPTION	BY	FROM
A	2/10/17	FIRST ISSUE	CW	DH
B	3/3/17	TABLE CLEAN UP	CW	DH
C	3/3/17	TABLE CLEAN UP (H3)	CW	DH
D	4/25/18	ADD "L" DIMENSION	JH	DH



NO.	DESCRIPTION	NO. REQ'D	MATERIAL	REMARKS
157	SCREW (F)	4	STAINLESS STEEL 304	
24	CAP (A)	1	PP	
23	SCREW (B)	4	SS (SUS316L)	
22	LOCKING PLATE	1	PPG	
21	BOLT (B)	4	SS (SUS316L)	
19	SPRING	1	SS (SUS316L)	
18	PIN	1	PPG	
17	HANDLE LEVER	1	PPG	
16a	HANDLE INSERT	1	SS (SUS316L)	
16	HANDLE	1	PP	
8	STEM RETAINER (A)	1	PP	
7	STEM	1	<input type="checkbox"/> OTHERS <input type="checkbox"/> STAINLESS STEEL 316	
185	O-RING (I)	4	<input type="checkbox"/> EPDM <input type="checkbox"/> FKM	
6	O-RING (C)	1	<input type="checkbox"/> OTHERS	
3	SEAT	1	()	
184	SEAT BUSH (B)	1	BODY / DISC <input type="checkbox"/> PVC <input type="checkbox"/> PVC	
183	SEAT BUSH (A)	1	<input type="checkbox"/> CPVC <input type="checkbox"/> CPVC	
2	DISC	1	<input type="checkbox"/> PP <input type="checkbox"/> PP	
1	BODY	1	<input type="checkbox"/> PVDF <input type="checkbox"/> PVDF	

UNLESS OTHERWISE SPECIFIED		THIS DRAWING AND ALL INFORMATION HEREIN IS THE PROPERTY OF ASAHII/AMERICA. ANY COPYING, REPRODUCTION OR UNAUTHORIZED USE IS FORBIDDEN WITHOUT WRITTEN CONSENT.		ASAHI/AMERICA ISO 9001 CERTIFIED 655 ANDOVER STREET, LAWRENCE, MA	
DIMENSIONS ARE IN INCHES MACHINING: 2 PL DECIMALS ± .01 TOLERANCES: 3 PL DECIMALS ± .005 ANGULAR ± 1/2°		NAME: C. Williams DATE: 02/10/17		BUTTERFLY VALVE TYPE57P LEVER 1-1/2" - 8"	
FABRICATION: FRACTIONAL ± 1/64 1/2" - 8" ± 1/4 TOLERANCES: 1/2" AND UP ± 1/2 ANGULAR ± 1.0°		PROD: D. Hurley DATE: 04/25/18			
WELD TYPE: N/A		PRODUCT: VALVE & ACT		JDE PART # 0171BF57P	
MATERIAL: AS NOTED		SCALE: 1:50		SIZE B DWG. NO. 0171BF57P REV D	
FINISH: 125µr		WO#/SO# VALVE & ACT		SHEET 1 OF 1	