

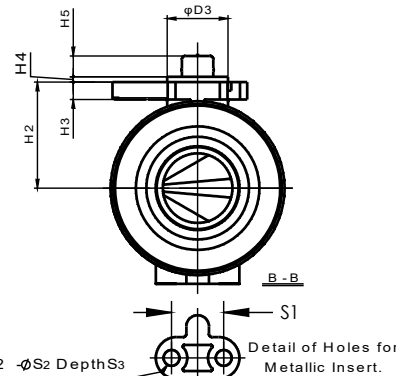
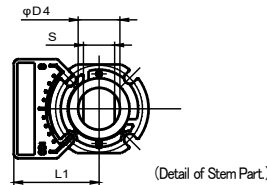
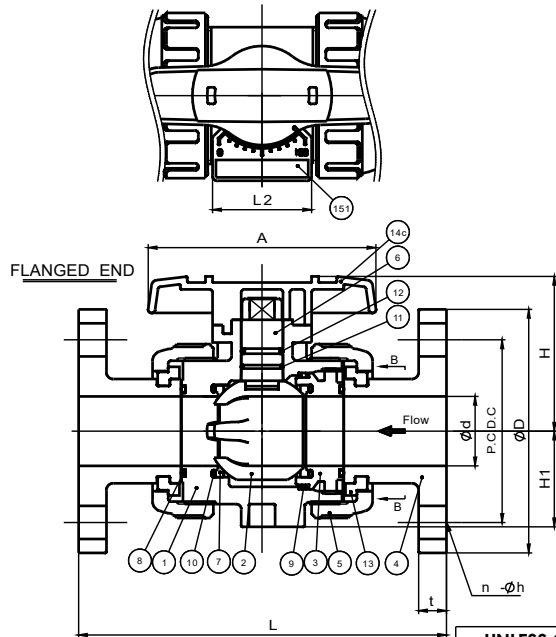
DIMENSION TABLE

Nominal Size	FLANGED END							SOCKET END				THREADED END		
	ANSI Class 150							ASTM SCH80						
	D	C	n	h	L	t	d1	d1'	l	L	d2	l	L	
1/2" 15mm	3.50	2.38	4	0.62	5.63	0.47	0.848	0.836	0.875	4.45	1/2 -14 NPT	0.59	4.02	
3/4	3.88	2.75	4	0.62	6.77	0.55	1.058	1.046	1.000	5.08	3/4 -14 NPT	0.67	4.72	
1	4.25	3.12	4	0.62	7.36	0.55	1.325	1.310	1.125	5.71	1 -11 1/2 NPT	0.79	5.16	
1 1/4	4.62	3.50	4	0.62	7.48	0.63	1.670	1.655	1.250	6.46	1 1/4 -11 1/2 NPT	0.87	5.91	
1 1/2	5.00	3.88	4	0.62	8.35	0.63	1.912	1.894	1.375	7.24	1 1/2 -11 1/2 NPT	0.98	6.42	
2	6.00	4.75	4	0.75	9.21	0.63	2.387	2.369	1.500	8.23	2 -11 1/2 NPT	1.10	7.76	

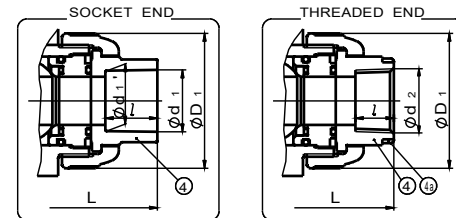
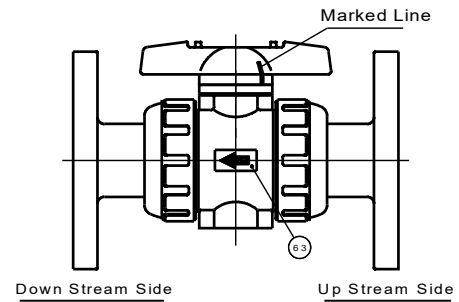
Unit: inch

Nominal Size	d	L1	L2	D1	D3	D4	H	H1	H2	H3	H4	H5	A	S	S1	S2	S3
1/2" 15mm	0.59	1.57	1.65	1.89	0.98	0.53	2.03	1.14	1.18	0.24	0.12	0.31	3.62	0.41	0.75	0.29	0.43
3/4	0.79	1.57	1.65	2.36	0.98	0.59	2.34	1.38	1.44	0.24	0.12	0.39	3.94	0.43	0.75	0.29	0.43
1	0.98	1.57	1.65	2.76	0.98	0.59	2.68	1.54	1.71	0.24	0.12	0.39	4.33	0.43	0.75	0.29	0.43
1 1/4	1.26	1.73	1.89	3.23	1.18	0.75	3.17	1.85	2.07	0.31	0.12	0.39	4.76	0.59	1.18	0.35	0.59
1 1/2	1.57	1.93	2.24	3.94	1.38	0.91	3.50	2.17	2.40	0.39	0.12	0.47	5.16	0.71	1.18	0.35	0.59
2	2.01	1.93	2.24	4.96	1.38	0.91	4.04	2.60	2.85	0.39	0.12	0.47	6.26	0.71	1.18	0.35	0.59

NOTE. The shape and appearance of assembly differ a little with nominal size and material compared to this drawing.



REV	DATE	DESCRIPTION	BY	FROM
A	11/13/19	FIRST ISSUE	JH	DH



No.	DESCRIPTION	QTY.	MATERIAL	REMARKS
4a	RING	2	STAINLESS STEEL(SUS304)	Used for C-PVC Body, Threaded End:1/2"-1"
63	FLOW DIRECTION LABEL	1	-	
151	INDICATOR PLATE	1	AES	
14C	HANDLE	1	ABS	for Flow Control TYPE
13	STOP RING	2	PVDF	Used for Flanged End
12	O-RING(E)	1		
11	O-RING(D)	1	□EPDM	
10	O-RING(C)	2	□FKM	
9	O-RING(B)	1	□Others	
8	O-RING(A)	2	()	
7	SEAT	2	PTFE	
6	STEM	1		
5	UNION NUT	2		
4	END CONNECTOR	2	□PVC	
3	CARRIER	1	□C-PVC	
2	BALL	1		for Flow Control TYPE
1	BODY	1		

UNLESS OTHERWISE SPECIFIED DIMENSIONS ARE IN INCHES		THIS DRAWING AND ALL INFORMATION HEREIN IS THE PROPERTY OF ASAHI/AMERICA. ANY COPYING, REPRODUCTION OR UNAUTHORIZED USE IS FORBIDDEN WITHOUT WRITTEN CONSENT.	
MACHINING TOLERANCES:	2 PL DECIMALS ±.01 3 PL DECIMALS ±.005	NAME	DATE
FABRICATION TOLERANCES:	ANGULAR ± 1/2° FRACTIONAL ± 1/64 1/2" - 8" ± 1/4 10" AND UP ± 1/2 ANGULAR ± 1.0°	J. Hughes	11/13/19
WELD TYPE:	N/A	APPR	D. Hurley 11/13/19
MATERIAL:	N/A	PRODUCT:	VALVE & ACT
FINISH:	125µ"	WO#/SO#	

ASAHI/AMERICA
ISO 9001 CERTIFIED
655 ANDOVER STREET, LAWRENCE, MA

1/2" - 2" T-21 FLOW CONTROL BV

JDE PART # MO0BV10044

SIZE A DWG # **MO0BV10044** REVISION A

SCALE N/A SHEET 1 OF 1