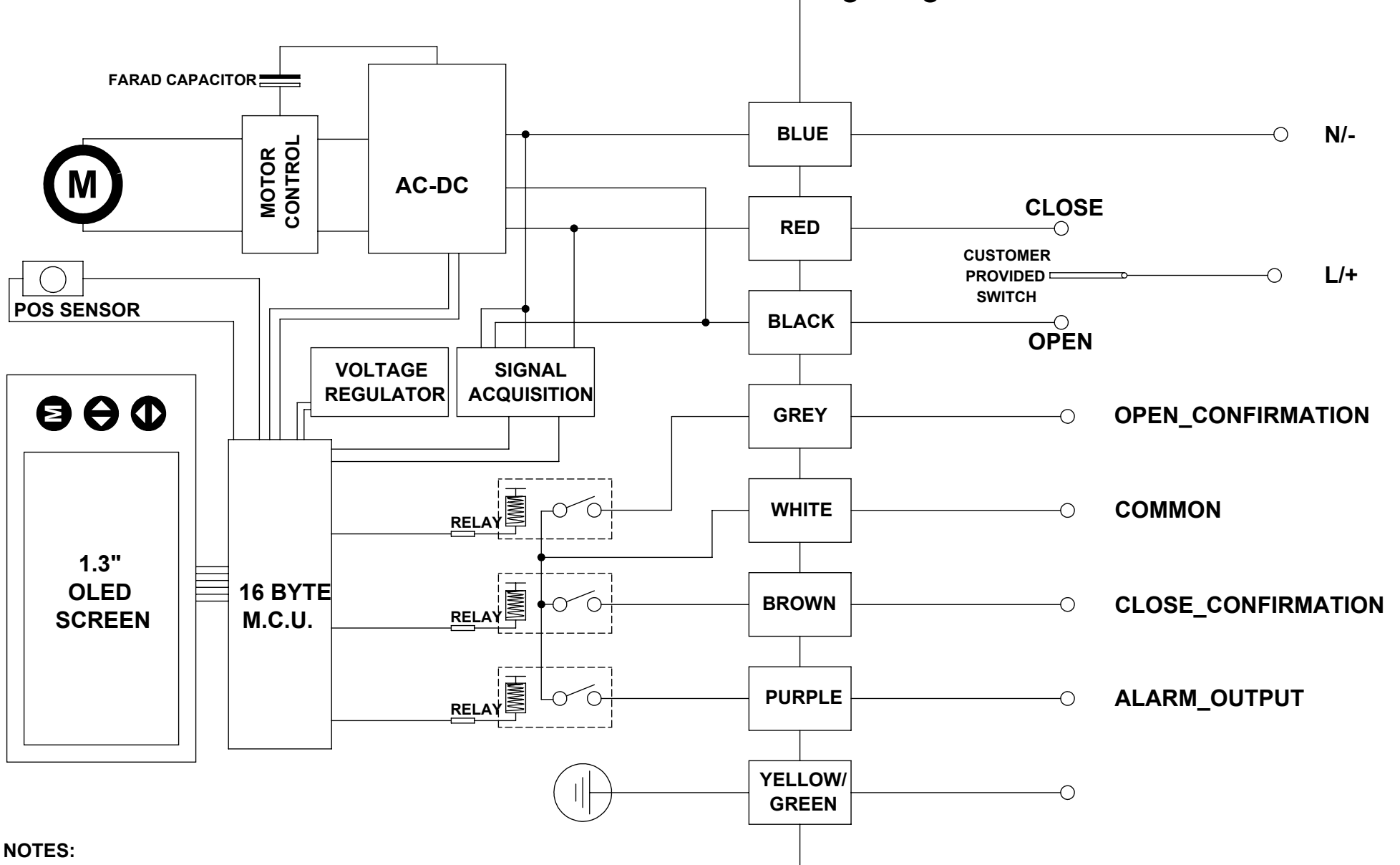


Series 19 Failsafe Wiring Diagram



NOTES:

1. NOT ALL WIRES FROM FLYING LEADS ARE USED
2. HEATER IS INTERNALLY WIRED & OPERATIONAL AS LONG AS ACTUATOR IS POWERED