

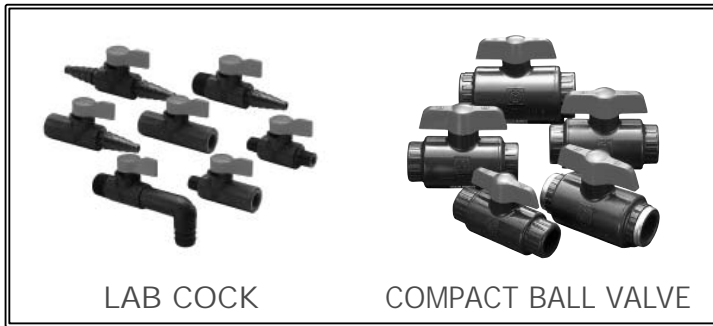
# LAB COCK COMPACT BALL VALVE

For the Owner and the Installing Contractor

# ASAHI AV

Serial No. :UA-008E

## User's Guide



Read and use the information contained within these documents.

This User's Guide contains information important to the proper installation, maintenance and safe use of the LAB COCK & COMPACT BALL VALVE store in an easily accessible location.

### Warning & Caution Signs



This symbol reminds the user to take caution due to the potential for serious injury or death.



This symbol reminds the user to take caution due to the potential for damage to the valve if used in such a manner.

### Prohibition & Mandatory Action Signs






Prohibited: When operating the valve, this symbol indicates an action that should not be taken.



Mandatory action: When operating the valve, this symbol indicates mandatory actions that must be adhered to.

### General Information for Transportation, Unpacking and Storage







-   -This valve is not designed to handle impacts of any kind. Avoid throwing or dropping the valve.
- Avoid scratching the valve with any sharp object.
- Do not over-stack cardboard shipping boxes. Excessively stacked packages may collapse.
- Avoid contact with any coal tar creosote, insecticides, vermicides or paint. (These chemicals may cause damage to the valve.)
-  -Store products in their corrugated cardboard boxes. Avoid exposing products to direct sunlight, and store them indoors (at room temperature). Also avoid storing products in areas with excessive temperatures. (Corrugated cardboard packages become weaker as they become wet with water or other liquid. Take care in storage and handling.)
- After unpacking the products, check that they are defect-free and meet the specifications.

### Inspection Items



- Check for flaw, crack, or deformation on the valve.  Check for leaks to the outside or inside.
- Check for the smoothness of handle operation.

### General Operating Instructions

-   -Certain liquid such as  $H_2O_2$ , NaClO, etc may be prone to vaporization (Off-Gassing) which may cause irregular pressure increases, which may destroy the valve.
-  -Using a positive-pressure gas with our plastic piping may pose a dangerous condition due to the repellent force particular to compressible fluids even when the gas is under similar pressures used for liquids. Therefore, be sure to take the necessary safety precautions such as covering the piping with protective material. For inquiries, please contact us. For conducting a leak test on newly installed piping, be sure to check for leaks under water pressure. If absolutely necessary to use a gas in testing, please consult your nearest service station beforehand.
-   -Do not step on or apply excessive weight on valve. (It can be damaged.)
- Do not use the valve to fluid containing slurry. (The valve will not operate properly.)
- Do not use the valve in conditions where the fluid may have crystallized. (The valve will not operate properly.)
-  -Keep the valve away from excessive heat or fire. (It can be damaged, or destroyed.)
- Before opening or closing a lubricant free product, be sure to apply water.
- Always operate the valve within the pressure vs. temperature range. (The valve can be damaged or deformed by operating beyond the allowable range.)
- Allow sufficient space for maintenance and inspection.
- Select a valve material that is compatible with the media. For chemical resistance information, refer to "CHEMICAL RESISTANCE ON ASAHI AV VALVE". (Some chemicals may damage incompatible valve materials.)
- Keep the valve out of direct sunlight, water and dust. Use cover to shield the valve. (The valve will not operate properly.)
- Perform periodic maintenance. (The LAB COCK & COMPACT BALL VALVE cannot do the disassembling and part exchange. For inspection items, see the operation manual for each product.)

# LAB COCK COMPACT BALL VALVE

## User's Guide

For the Owner and the Installing Contractor

# ASAHI AV

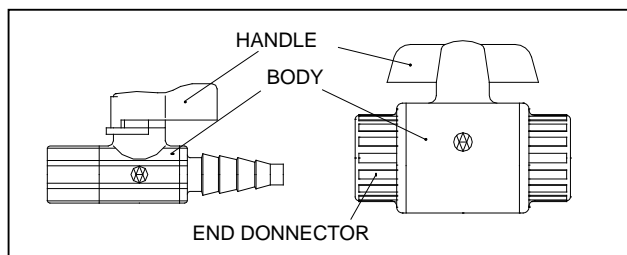
Serial No. :UA-008E

### General Operating Instructions

**Warning** ! -Be sure to conduct a safety check on all hand and power tools to be used before beginning work.  
-Wear protective gloves and safety goggles as fluid remain in the valve even if the pipeline is empty. (You may be injured.)

**Caution** ! -Do not change or replace valve parts under line pressure.  
-When installing a pipe support by means of a U-band or something similar, take care not to over-tighten. (Excessive force may damage the pipe.)

- ! -When installing pipes and valves, ensure that they are not subjected to tension, compression, bending, impact, or other excessive stress.
- When connecting an ASAHI AV Valve to metal piping, take care not to let pipe stress to ASAHI AV Valve.
- Before a water test, be sure that the Union Nut is tightly fastened.



### Installation Procedure

#### LAB COCK

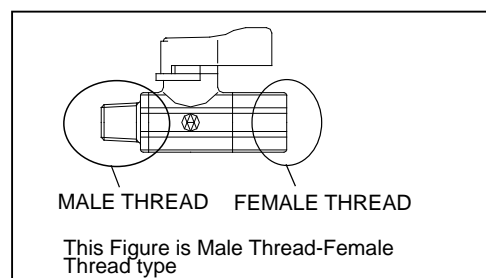
The connection method of the LAB COCK, there are Hose End, Male Threaded End, Female socket and Threaded End. Install according to the preferred method of joining for the particular application. As for details, refer to the User's manual separately.

#### Male Threaded End

#### Female Threaded End

**Caution** ! -Make sure that the threaded connections are plastic x plastic. (Metallic thread can cause damage.)  
-Wrap the threaded joints on our plastic piping with sealing tape. Using a liquid sealing agent or liquid gasket may cause stress cracks (Environmental Stress Cracking). Our product warranty shall not apply in case of said use, even when said use is unavoidable.  
-Avoid excessive tightening. (The valve can be damaged.)

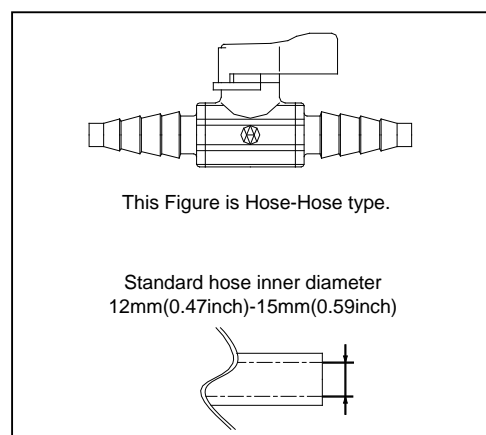
1. Preparation: The seal tape is wound to the Male threaded adapter. (2 to 3 complete wraps around the male threads are sufficient.)
2. Connection: Tighten the external thread of the joint and the end connector hand tight. Using the spanner wrench, screw in the end connector by turning 180°-360°carefully without damaging it.



#### Hose End

**Caution** ! -Use hoses with the bore size 12-15mm to connect to the valve.  
-Push in by hand, not by any tools.  
-The hose may come off when the working pressure rises over the maximum.

1. Cleaning: Clean the hub part of the end connector by wiping with a waste cloth.
2. Insertion: Push in by hand and it connect it with the hose.



# LAB COCK COMPACT BALL VALVE

For the Owner and the Installing Contractor

# ASAHI AV

Serial No. :UA-008E

## User's Guide

### Installation Procedure

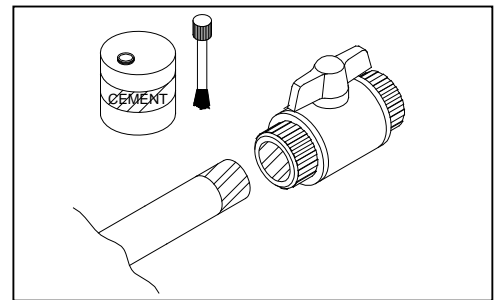
#### COMPACT BALL VALVE

The connection method of the COMPACT BALL VALVE, there are Socket End, Threaded End. Install according to the preferred method of joining for the particular application. As for details, refer to the User's manual separately.

#### Socket End (Material: PVC, C-PVC)

- Warning** ⚠️ -When using an adhesive, ventilate the space sufficiently, prohibit the use of fire in the vicinity, and do not inhale adhesive vapors directly.
- ⚠️ -If an adhesive gets into contact with your skin, wash it off immediately. If you feel sick or find any anomaly, receive a physician's diagnosis and take appropriate measures promptly.
- Caution** ⚠️ -Take care in doing work at low temperatures. Solvent vapors are hard to evaporate and are likely to remain. (Solvent cracks may occur, damaging the equipment.) After assembling the piping system, open both ends of the piping and use a fan (of the Low-Voltage Type) or something similar to ventilate the space, thus removing the solvent vapors.
- ⚠️ -Do not apply more cement than necessary. Avoid getting cement in the internals of the valve. This can cause damage to the seals and moving parts. Solvent and fumes can chemically attack the valve materials if allowed to enter the internals of the valve. (Cementing with the valve in a vertical position should be avoided)
- ⚠️ -Do not under any circumstances try to insert a pipe into another fitting or valve by striking it, which may break the piping.
- ⚠️ -Use Asahi AV cement Number-32, Number-52, or Number-62 for PVC and Number-88 for C-PVC in case of JIS Pipe & Fittings. The other standard Pipe & Fittings shall be used industrial proper PVC or C-PVC cement.
- ⚠️ -Allow 24 hours for solvent cement to dry before performing a water leak test.

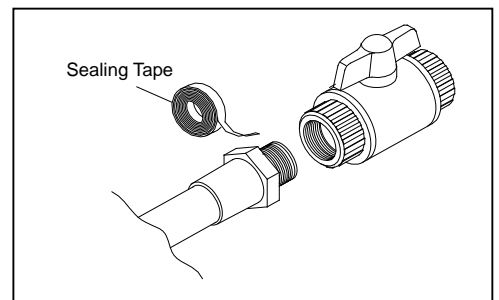
1. Entry of the Bench Mark: The bench mark indicates the maximum penetration depth of the pipe into the end connector.
2. Cleaning: Clean the hub part of the end connector by wiping with a waste cloth.
3. Application of adhesive: Apply adhesive evenly to the hub part of the end connector and the pipe spigot.
4. Insertion: After applying adhesive, insert the pipe quickly into the end connector and leave it alone for at least 60 seconds.
5. Insertion completion: Wipe away overflowing adhesive.



#### Threaded End (Material: PVC, C-PVC)

- Caution** ⚠️ -Make sure that the threaded connections are plastic x plastic. (Metallic thread can cause damage.)
- ⚠️ -Wrap the threaded joints on our plastic piping with sealing tape. Using a liquid sealing agent or liquid gasket may cause stress cracks (Environmental Stress Cracking). Our product warranty shall not apply in case of said use, even when said use is unavoidable.
- ⚠️ -Avoid excessive tightening. (The valve can be damaged.)

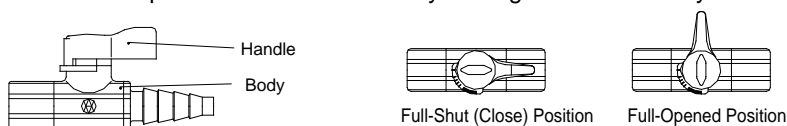
1. Preparation: The seal tape is wound to the Male threaded adapter. (2 to 3 complete wraps around the male threads are sufficient.)
2. Connection: Tighten the external thread of the joint and the end connector hand tight. Using the spanner wrench, screw in the end connector by turning 180°-360°carefully without damaging it.



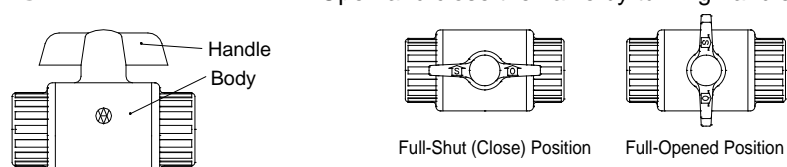
### Operating Procedure

- Caution** ⚠️ -When operating the handle, be sure to do so with your hand.

**LAB COCK** Open and close the valve by turning handle smoothly.



**COMPACT BALL VALVE** Open and close the valve by turning handle smoothly.



# LAB COCK COMPACT BALL VALVE

## User's Guide

For the Owner and the Installing Contractor

**ASAHI AV**

Serial No. :UA-008E

### Handling of Residual and Waste Materials



! Make sure to consult a waste treatment dealer for recommendations on the proper disposal of plastic valves.  
(Poisonous gas is generated when the valve is burned improperly.)

### Product Warranty

Be sure to read the following description of our product warranty.

- Always observe the specifications of and the precautions and instructions on using our product.  
- We always strive to improve product quality and reliability, but cannot guarantee perfection. Therefore, should you intend to use this product with any equipment or machinery that may pose the risk of serious or even fatal injury, or property damage, ensure an appropriate safety design or take other measures with sufficient consideration given to possible problems. We shall assume no responsibility for any inconvenience stemming from any action on your part without our written consent in the form of specifications or other documented approval.

- The related technical documents, operation manuals, and other documentation prescribe precautions on selecting, constructing, installing, operating, maintaining, and servicing our products.

For details, consult with our nearest distributor or agent.

- Our product warranty extends for one and a half years after the product is shipped from our factory or one year after the product is installed, whichever comes first. Any product abnormality that occurs during the warranty period or which is reported to us will be investigated immediately to identify its cause. Should our product be deemed defective, we shall assume the responsibility to repair or replace it free of charge.

- Any repair or replacement needed after the warranty period ends shall be charged to the customer.

- The warranty does not cover the following cases:

- (1) Using our product under any condition not covered by our defined scope of warranty.
- (2) Failure to observe our defined precautions or instructions regarding the construction, installation, handling, maintenance, or servicing of our product.
- (3) Any inconvenience caused by any product other than ours.
- (4) Remodeling or otherwise modifying our product by anyone other than us.
- (5) Using any part of our product for anything other than the intended use of the product.
- (6) Any abnormality that occurs due to a natural disaster, accident, or other incident not stemming from something inside our product.

### Inquiries

As for details, refer to the User's manual.

LAB COCK : No. H-V005E

COMPACT BALL VALVE : No. H-V004E

 **ASAHI ORGANIC CHEMICALS INDUSTRY CO.,LTD.** <http://www.asahi-yukizai.co.jp/en>

Valves and Piping System Administration

Overseas Department: (World Trade Center Bldg. 20F) 4-1, Hamamatsu-cho-2- Chome, Minatoku, Tokyo, Japan. Tel : (81) 3-3578-6015 Fax : (81) 3-3578-6025

Bangkok Representative Office: 50 GMM Grammy Place Tower, 15th Floor, Sukhumvit 21 Road (Asoke), North Klongtoey, Wattana, Bangkok 10110, Thailand. Tel : (66) 2-665-9938 Fax : (66) 2-665-9939

Europe Representative Office: Kaiser-Friedrich-Promenade 61 D-61348 Bad Homburg v. d. H. Germany. Tel : (49) 6172-9175-0 Fax : (49) 6172-9175-25

Shanghai Branch Office: RM. 1305. Orient International Plaza Part(C) No.85 Lou Shan Guan Road, Shanghai China 200336 Tel : (21) 6278-7862 Fax : (21) 6278-7892

ASAHI /AMERICA Inc.: 35 Green Street P.O.Box 653 , Malden, Massachusetts 02148 U.S.A. Tel : (1) 781-321-5409 Fax : (1) 781-321-4421