



# Series 92 Fast Pack Manual

Print Date: 6/30/2017

Department: Actuation

**CAUTION:** If actuator is PLC driven, output contacts of PLC should be rated at a minimum of 1.5 times required input voltage of actuator

**NOTE:** To conform to various electrical codes, a green grounding screw has been installed (on the base plate) inside of actuator.

Terminal strip is suitable for up to #14 AWG wire, and should be wired as per the attached diagrams or the wiring diagram affixed inside of actuator cover.

Cover/Base bolts should be torques to 120 in/lbs

**NOTE:** We recommend sealing conduit openings on units installed outdoors or exposed to large temperature swings (15°F or more).

Model	Torque (in/lbs)	120 Vac		Cycle Time per 90 Degrees (seconds)
		Amp Draw	Duty Cycle	
S92	400	0.5	100%	15
A92	700	0.8	75%	15
B92	1100	0.5	100%	32
C92	2000	1.0	50%	32

NOTE: Amp rating is considered locked rotor.  
Duty cycles are for ambient temperature (73°F)

For outdoor or wet locations it is recommended prior to replacing the cover that the top shaft seal be cleaned and coated with silicone grease. Also clean shaft and lightly coat seal area of shaft with silicone grease.

## Operation

### Manual Override Operation Reference Drawing #289S92

#### Models S-92, A92, & B92

Pull up the declutching knob (Part #18) and apply a 5/8" open end wrench to exposed flats and rotate within labeled limits as indicated by arrows.

To re-engage simply rotate actuator shaft in the opposite direction until declutching knob drops back down into position.

#### Model C92

Push down on hand wheel (Part #18A) and rotate within labeled limits.

To re-engage simply rotate actuator hand wheel in the opposite direction until it moves up and re-engages.

**CAUTION:** The manual override should only be used when there is no power applied to actuator. When power is restored the actuator will automatically resume normal operation.

## Setting Limit Switches Reference Drawing #289S92



### Disconnect power!

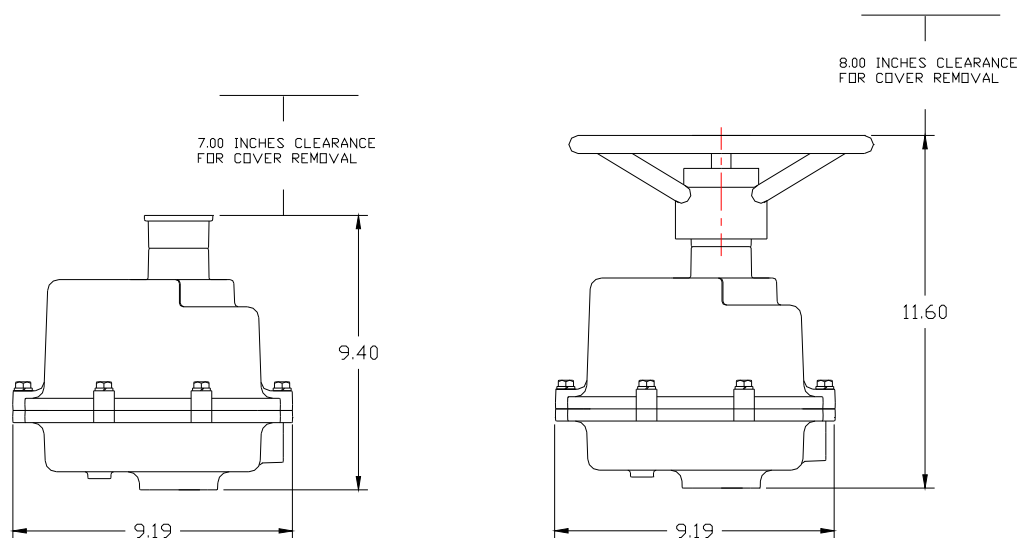
#### **Open Travel Limit Switch (Top Switch Part #25):**

Using declutchable manual override, move the valve into a full open position. Then loosen set screws on top cam (Part #40) and rotate cam (CCW) into limit switch arm until a click is heard. This designates the switch circuit has opened, defines a full open position, and provides power to the RHM Module. Tighten 2 set screws (Part #40) on cam.

#### **Close Travel Limit Switch (Bottom Switch Part #25):**

Using declutchable manual override, move the valve to a full closed position, loosen set screws on bottom cam (Part #40) and rotate cam (CW) into limit switch arm until a click is heard. This designates the switch circuit has opened, defines a full closed position, and provides power to the RHM Module. Tighten 2 set screws (Part #40) on cam.

Manually position valve to midstroke. Reapply power to actuator and drive to open or closed position. Actuator motor will run. The shaft will not turn until drive pins (Part #7) reseat in drive gear. This could take up to 32 seconds.



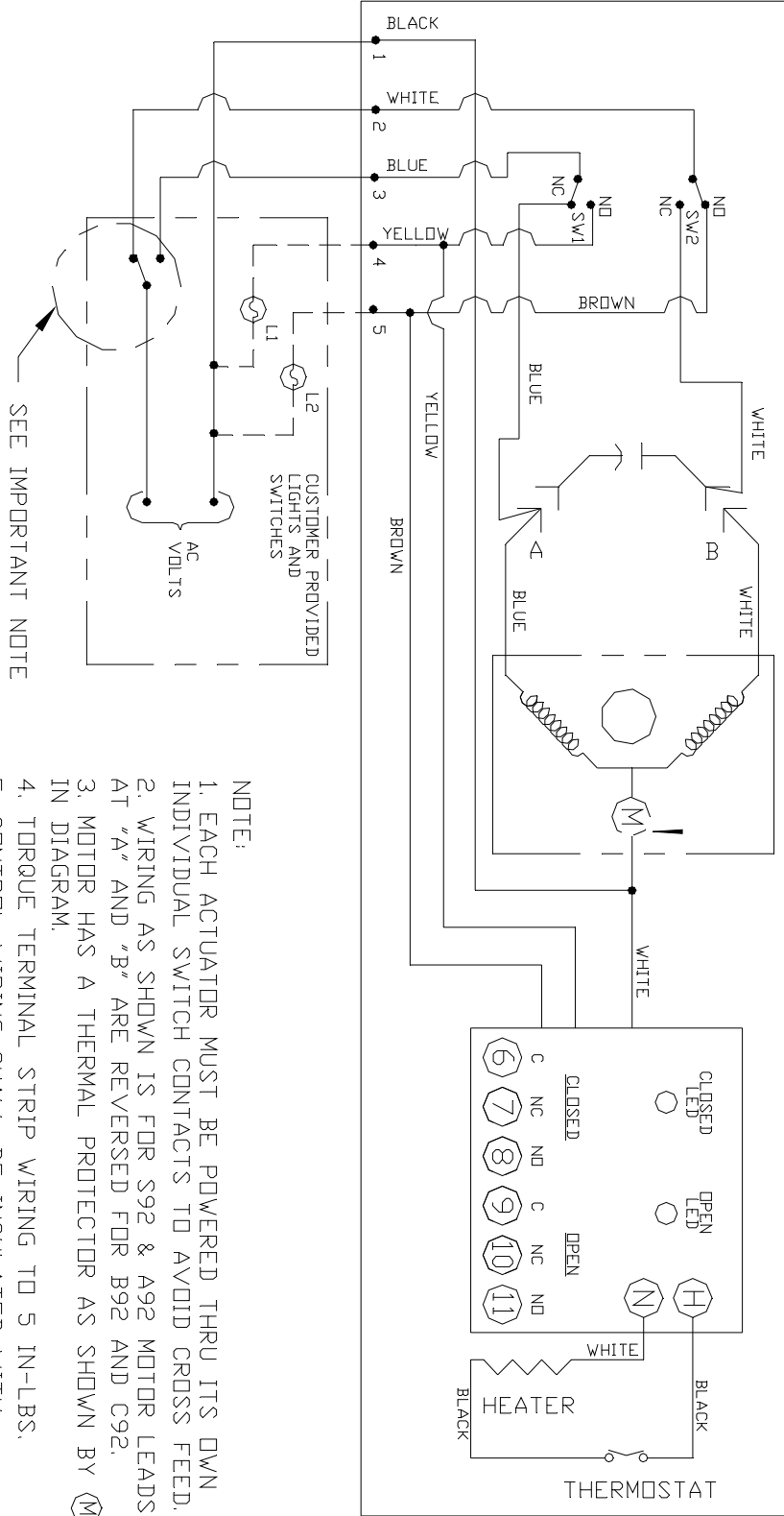


# Series 92 Fast Pack Manual

Print Date: 6/30/2017

Department: Actuation

WIRING DIAGRAM FOR 120 VAC AND 220 VAC ONLY  
ACTUATOR SHOWN IN COUNTER-CLOCKWISE EXTREME OF TRAVEL, OR "OPEN" POSITION



**NOTE:**

1. EACH ACTUATOR MUST BE POWERED THRU ITS OWN INDIVIDUAL SWITCH CONTACTS TO AVOID CROSS FEED.
2. WIRING AS SHOWN IS FOR S92 & A92 MOTOR LEADS AT "A" AND "B" ARE REVERSED FOR B92 AND C92.
3. MOTOR HAS A THERMAL PROTECTOR AS SHOWN BY (M) IN DIAGRAM.
4. TORQUE TERMINAL STRIP WIRING TO 5 IN-LBS.
5. CONTROL WIRING SHALL BE INSULATED WITH CONDUCTORS RATED 105°C, 300V MINIMUM.
6. 75°C COPPER SUPPLY WIRES ONLY.



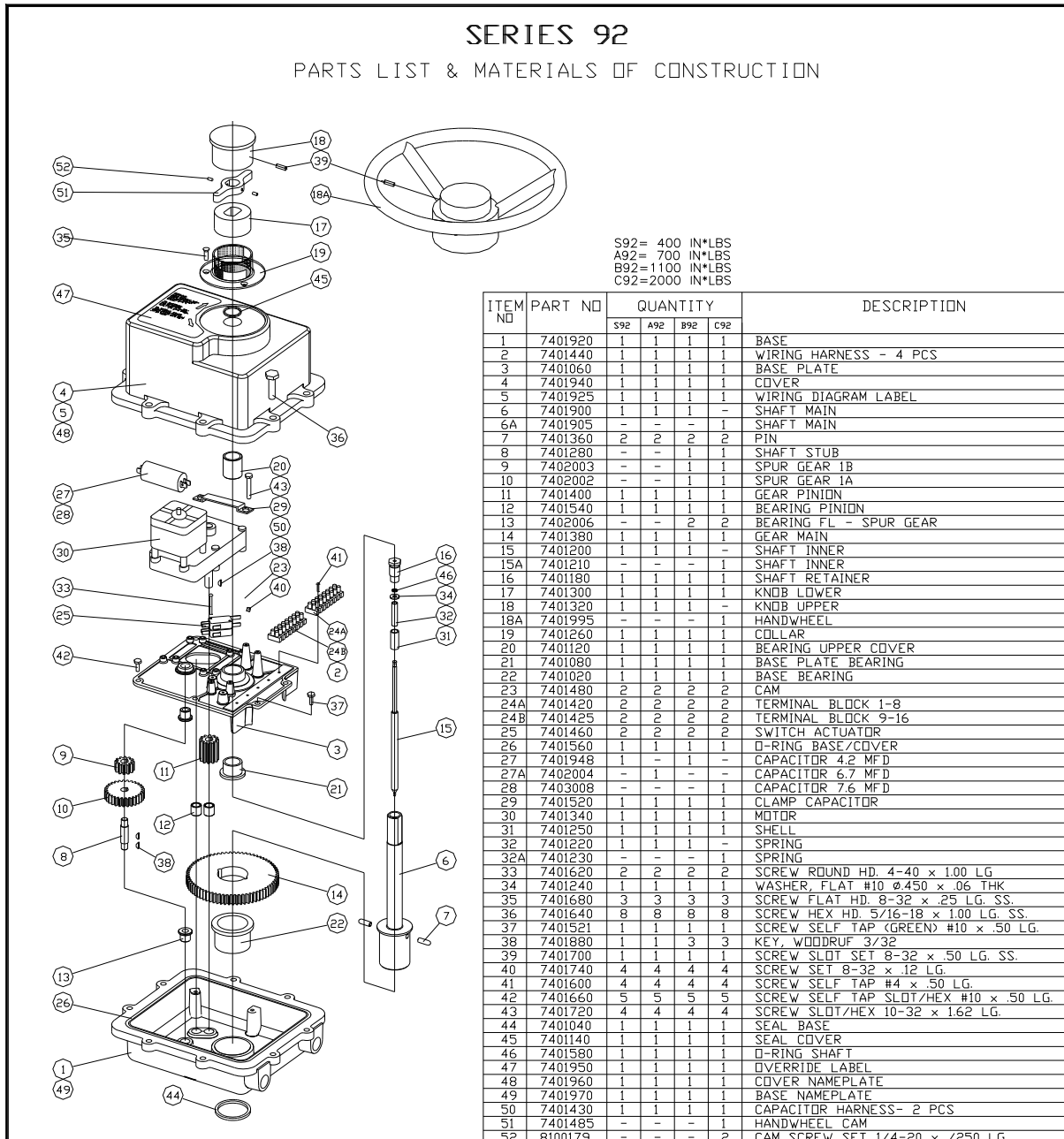
# Series 92 Fast Pack Manual

Print Date: 6/30/2017

Department: Actuation

## SERIES 92

### PARTS LIST & MATERIALS OF CONSTRUCTION



S92= 400 IN\*LBS  
 A92= 700 IN\*LBS  
 B92=1100 IN\*LBS  
 C92=2000 IN\*LBS

ITEM NO	PART NO	QUANTITY				DESCRIPTION
		S92	A92	B92	C92	
1	7401920	1	1	1	1	BASE
2	7401440	1	1	1	1	WIRING HARNESS - 4 PCS
3	7401060	1	1	1	1	BASE PLATE
4	7401940	1	1	1	1	COVER
5	7401925	1	1	1	1	WIRING DIAGRAM LABEL
6	7401900	1	1	1	-	SHAFT MAIN
6A	7401905	-	-	-	1	SHAFT MAIN
7	7401360	2	2	2	2	PIN
8	7401280	-	-	1	1	SHAFT STUB
9	7402003	-	-	1	1	SPUR GEAR 1B
10	7402002	-	-	1	1	SPUR GEAR 1A
11	7401400	1	1	1	1	GEAR PINION
12	7401540	1	1	1	1	BEARING PINION
13	7402006	-	-	2	2	BEARING FL - SPUR GEAR
14	7401380	1	1	1	1	GEAR MAIN
15	7401200	1	1	1	-	SHAFT INNER
15A	7401210	-	-	-	1	SHAFT INNER
16	7401180	1	1	1	1	SHAFT RETAINER
17	7401300	1	1	1	1	KNOB LOWER
18	7401320	1	1	1	-	KNOB UPPER
18A	7401995	-	-	-	1	HANDWHEEL
19	7401260	1	1	1	1	COLLAR
20	7401120	1	1	1	1	BEARING UPPER COVER
21	7401080	1	1	1	1	BASE PLATE BEARING
22	7401020	1	1	1	1	BASE BEARING
23	7401480	2	2	2	2	CAM
24A	7401420	2	2	2	2	TERMINAL BLOCK 1-8
24B	7401425	2	2	2	2	TERMINAL BLOCK 9-16
25	7401460	2	2	2	2	SWITCH ACTUATOR
26	7401560	1	1	1	1	O-RING BASE/COVER
27	7401948	1	-	1	-	CAPACITOR 4.2 MFD
27A	7402004	-	1	-	-	CAPACITOR 6.7 MFD
28	7403008	-	-	-	1	CAPACITOR 7.6 MFD
29	7401520	1	1	1	1	CLAMP CAPACITOR
30	7401340	1	1	1	1	MOTOR
31	7401250	1	1	1	1	SHELL
32	7401220	1	1	1	-	SPRING
32A	7401230	-	-	-	1	SPRING
33	7401620	2	2	2	2	SCREW ROUND HD. 4-40 x 1.00 LG
34	7401240	1	1	1	1	WASHER, FLAT #10 ø.450 x .06 THK
35	7401680	3	3	3	3	SCREW FLAT HD. 8-32 x .25 LG. SS.
36	7401640	8	8	8	8	SCREW HEX HD. 5/16-18 x 1.00 LG. SS.
37	7401521	1	1	1	1	SCREW SELF TAP (GREEN) #10 x .50 LG.
38	7401880	1	1	3	3	KEY, WOODRUF 3/32
39	7401700	1	1	1	1	SCREW SLOT SET 8-32 x .50 LG. SS.
40	7401740	4	4	4	4	SCREW SET 8-32 x .12 LG.
41	7401600	4	4	4	4	SCREW SELF TAP #4 x .50 LG.
42	7401660	5	5	5	5	SCREW SELF TAP SLOT/HEX #10 x .50 LG.
43	7401720	4	4	4	4	SCREW SLOT/HEX 10-32 x 1.62 LG.
44	7401040	1	1	1	1	SEAL BASE
45	7401140	1	1	1	1	SEAL COVER
46	7401580	1	1	1	1	O-RING SHAFT
47	7401950	1	1	1	1	OVERRIDE LABEL
48	7401960	1	1	1	1	COVER NAMEPLATE
49	7401970	1	1	1	1	BASE NAMEPLATE
50	7401430	1	1	1	1	CAPACITOR HARNESS- 2 PCS
51	7401485	-	-	-	1	HANDWHEEL CAM
52	8100179	-	-	-	2	CAM SCREW SET 1/4-20 x /250 LG.

THIS DRAWING AND ALL INFORMATION HEREON IS THE PROPERTY OF ASAHI/AMERICA. ANY COPYING, REPRODUCTION OR UNAUTHORIZED USE IS FORBIDDEN WITHOUT WRITTEN CONSENT.

## ASAHI/AMERICA

ISO 9001 CERTIFIED

35 GREEN STREET, P.O. BOX 653, MALDEN, MA.



## SERIES 92 EXPLODED VIEW

DR	NAME A.SELEZNEV	DATE 2/17/98	SIZE A	DWG. NO. 289S92	REV 3
PATH \\ACAD11\S92 DO NOT SCALE DRAWING			SCALE NTS	SHEET 1 OF 1	

Need more information? Download a complete IOM at our website. [www.asahi-america.com](http://www.asahi-america.com)