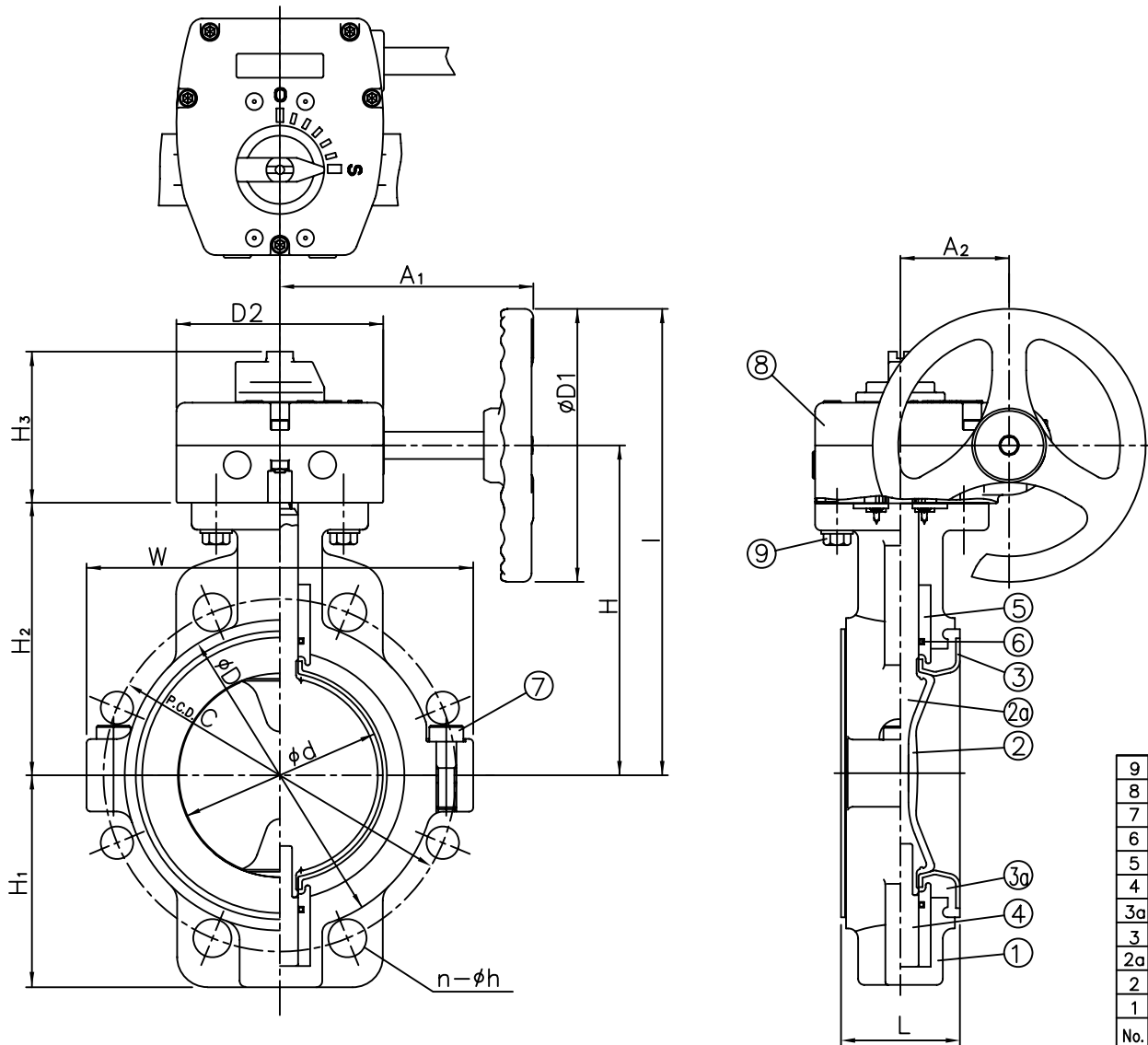


**FOR REFERENCE ONLY  
ASAHI/AMERICA**



No.	DESCRIPTION	No.REQ'D	MATERIAL	REMARKS
9	BOLT (B)	4	STAINLESS STEEL 304	
8	GEAR BOX	1	PLASTIC	
7	BOLT (A)	—	STAINLESS STEEL 304	
6	O-RING	2	EPDM	
5	BUSH	2	STAINLESS STEEL 304	
4	STEM	1	STAINLESS STEEL 304	
3a	CUSHION RUBBER	1	CR	
3	SEAT	1	PTFE	
2a	DISC INSERT	1	STAINLESS STEEL 304	
2	DISC	1	PTFE	
1	BODY	1	DUCTILE CAST IRON(FCD-S) WITH EPOXY POWDER COAT	

DIMENSIONS TABLE

NOMINAL SIZE	d	ANSI Class150				D	D <sub>1</sub>	D <sub>2</sub>	L	H	H <sub>1</sub>	H <sub>2</sub>	H <sub>3</sub>	I	W	A <sub>1</sub>	A <sub>2</sub>	Number of handle rotation	GEAR BOX MODEL No.
		C	n	h	h														
2" 50mm	2.17	4.75	2 (4)	0.75	3.54	6.30	4.80	1.73	5.29	2.40	3.94	3.54	8.49	4.57	6.57	2.52	9.5	241	
3	3.15	6.00	-(4)	0.75	4.92	6.30	4.80	2.13	6.04	3.74	4.69	3.54	9.24	5.98	6.57	2.52			
4	3.94	7.50	4 (8)	0.75	6.06	6.30	4.80	2.32	6.66	3.90	5.31	3.54	9.86	6.85	6.57	2.52			
5	4.92	8.50	4 (8)	0.88	7.13	6.30	4.80	2.52	7.57	4.72	6.22	3.54	10.77	8.11	6.57	2.52			
6	5.91	9.50	4 (8)	0.88	8.31	6.30	4.80	2.95	8.24	5.39	6.89	3.54	11.44	9.29	6.57	2.52			
8	7.52	11.75	4 (8)	0.88	10.43	6.30	4.80	3.35	9.42	6.42	8.07	3.54	12.62	11.10	6.57	2.52			
10	9.65	14.25	4 (12)	1.00	12.80	6.30	4.80	3.78	10.80	7.87	9.45	3.54	14.00	13.43	6.57	2.52			

NOTE: The shape and appearance of assembly differ a little with nominal size compared to this drawing.

THIS DRAWING AND ALL INFORMATION HEREON IS THE PROPERTY OF ASAHI/AMERICA. ANY COPYING, REPRODUCTION OR UNAUTHORIZED USE IS FORBIDDEN WITHOUT WRITTEN CONSENT.

NAME	DATE
DR JOHN GLASSFORD	8/3/06
APPD D.HURLEY	8/3/06
PROD L.LESTER	8/3/06
WO#/CO#	
FILE	

**ASAHI/AMERICA**

ISO 9001 CERTIFIED  
35 GREEN STREET, P.O. BOX 653, MALDEN, MA.



BUTTERFLY VALVE TYPE55  
GEAR TYPE (T-241 PLASGEAR)  
2" THRU 10"

SIZE A	DWG. NO. 0188BFPL	REV A
SCALE NTS	SHEET 1 OF 1	