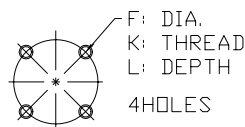
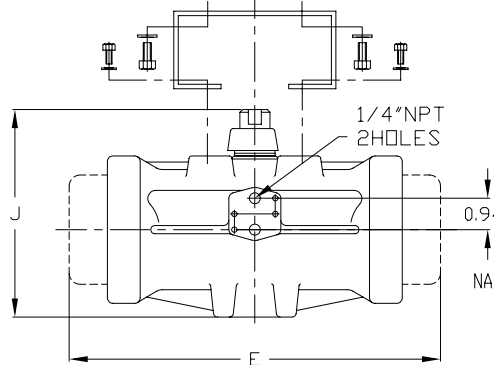
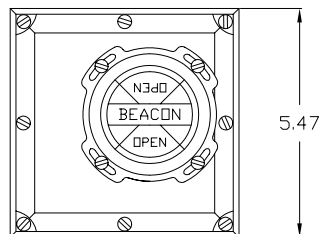
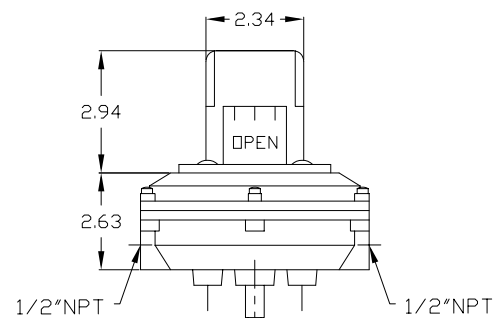
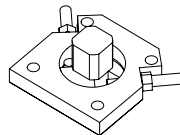


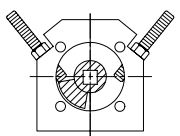
□ LIMIT SWITCH (DIMENSIONS FOR NEMA IV)



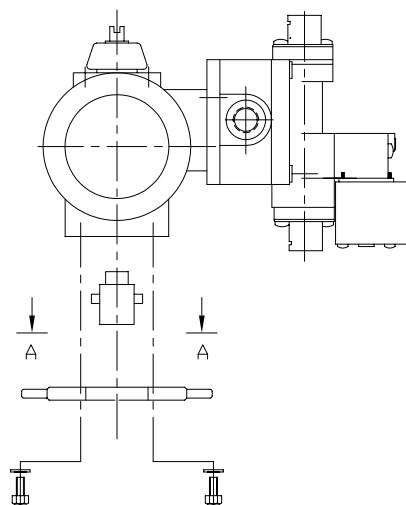
□ TRAVEL STOP



VIEW 3D

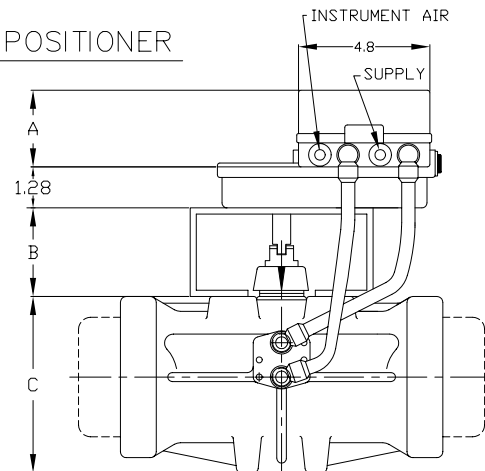


VIEW A-A



NOTE. The shape and appearance of assembly differ a little with nominal size compared to this drawing.

□ POSITIONER



FOR REFERENCE ONLY
ASAHI/AMERICA

DIMENSIONS (ACTUATOR WITH POSITIONER)

UNIT: inch

ACTUATOR SIZE	B	C	E		A	
			AIR TO AIR	AIR TO SPRING	3-15 PSI	4-20mA
AP79P	1.75	2.56	4.22	5.55	2.28	4.15
BP79P	2.16	3.14	4.92	5.86	2.28	4.15
CP79P	2.16	3.81	7.00	8.74	2.28	4.15
DP79P	2.16	5.15	9.21	11.49	2.28	4.15
E79	2.16	7.09	12.12	17.04	2.28	4.15
F79	2.16	8.86	16.46	25.28	2.28	4.15
G79	2.95	10.71	20.63	27.32	2.28	4.15
K79	2.95	14.96	19.76	32.83	2.28	4.15

AIR CONSUMPTION

ACTUATOR SIZE	Cubic Inches
AP79P	6.0
BP79P	9.0
CP79P	19.5
DP79P	52.0
E79	133
F79	244
G79	640
K79	1068

DIMENSIONS (ACTUATOR WITH LIMIT SWITCH)

UNIT: inch

ACTUATOR SIZE	C	E		F	H	G	J	K	L
		AIR TO AIR	AIR TO SPRING						
AP79P	2.56	4.22	5.55	1.65	1.21	1.48	3.34	6mm	0.39
BP79P	3.14	4.92	5.86	1.97	1.41	1.73	4.40	6mm	0.47
CP79P	3.81	7.00	8.74	2.79	1.85	1.96	5.00	8mm	0.59
DP79P	5.15	9.21	11.49	2.76	2.36	2.55	6.49	8mm	0.59
E79	7.09	12.12	17.04	4.02	3.23	3.54	8.54	10mm	0.79
F79	8.86	16.46	25.28	4.92	3.78	4.13	10.26	12mm	0.79
G79	10.71	20.63	27.32	5.51	4.76	5.20	12.05	16mm	0.98
K79	14.96	19.76	32.83	6.50	7.48	7.87	16.14	3/4-10	1.14

THIS DRAWING AND ALL INFORMATION HEREON IS THE PROPERTY OF ASAHI/AMERICA. ANY COPYING, REPRODUCTION OR UNAUTHORIZED USE IS FORBIDDEN WITHOUT WRITTEN CONSENT.

ASAHI/AMERICA

ISO 9001 CERTIFIED

35 GREEN STREET, P.O. BOX 653, MALDEN, MA.



PNEUMATIC ACTUATOR
OPTIONS

	NAME	DATE
DR	KENICHI MIYAZAKI	9/24/01
APPD	DAVE HURLEY	9/24/01
PROD	LEO LESTER	9/24/01
WO#/SO#		
FILE		

SIZE	DWG. NO.	REV
A	0034MI	A
SCALE	NTS	SHEET 1 OF 1