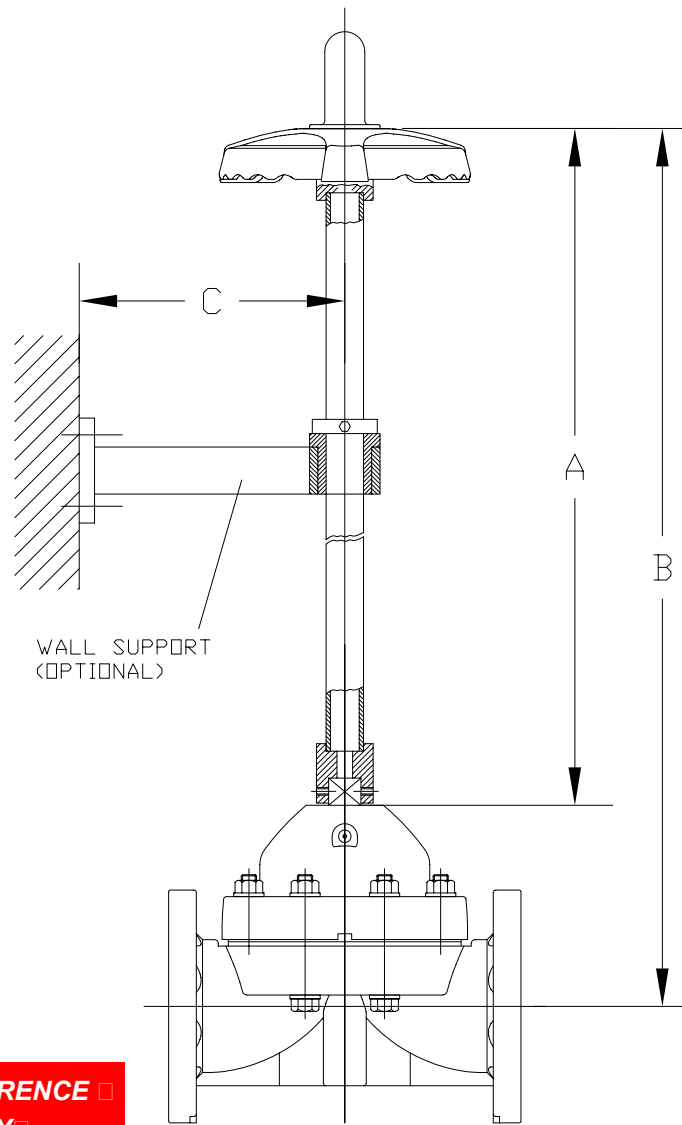
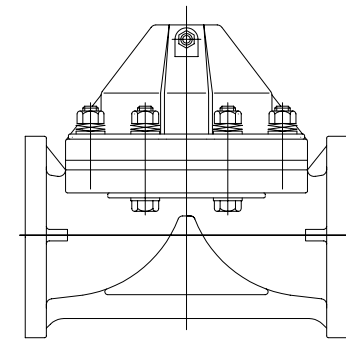


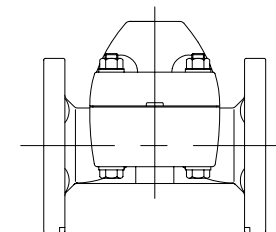
STYLE DV-A
(TWO PIECE, STEM & HOUSING)



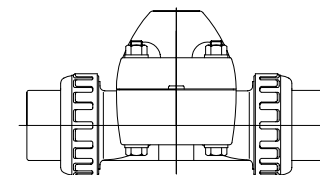
STYLE DV-B
(ONE PIECE, NON-SUPPORTED)



5" THRU. 10"



1/2" THRU. 2"



1/2" THRU. 2"

FOR REFERENCE ONLY
ASAHI/AMERICA

DIMENSIONS TABLE

UNIT: inch

DIMENSIONS	STYLE A	STYLE B
A		
B		
C		

NOTE: 1. The shape and appearance of assembly differ a little with nominal size compared to this drawing.

THIS DRAWING AND ALL INFORMATION HEREON IS THE PROPERTY OF ASAHI/AMERICA. ANY COPYING, REPRODUCTION OR UNAUTHORIZED USE IS FORBIDDEN WITHOUT WRITTEN CONSENT.

	NAME	DATE
DR	KENICHI MIYAZAKI	9/26/01
APPD	DAVE HURLEY	5/21/03
PROD	LEO LESTER	5/21/03
WO#/SO#		
FILE		

ASAHI/AMERICA

ISO 9001 CERTIFIED

35 GREEN STREET, P.O. BOX 653, MALDEN, MA.



DIAPHRAGM VALVE SERIES
STEM EXTENSIONS
1/2" THRU. 10"

SIZE	A	DWG. NO.	0066DI	REV	B
SCALE	NTS		SHEET 1 OF 1		