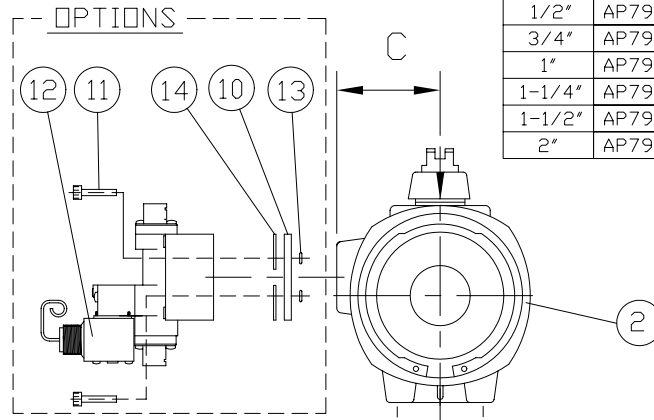
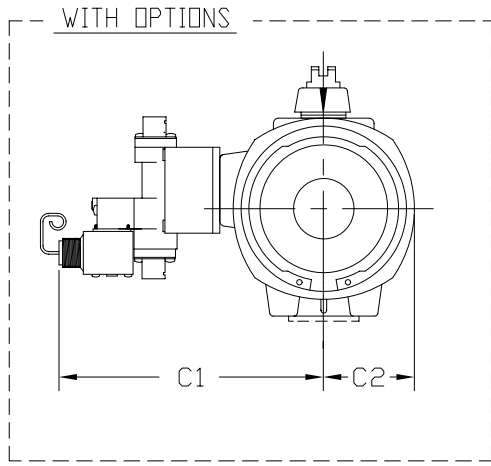
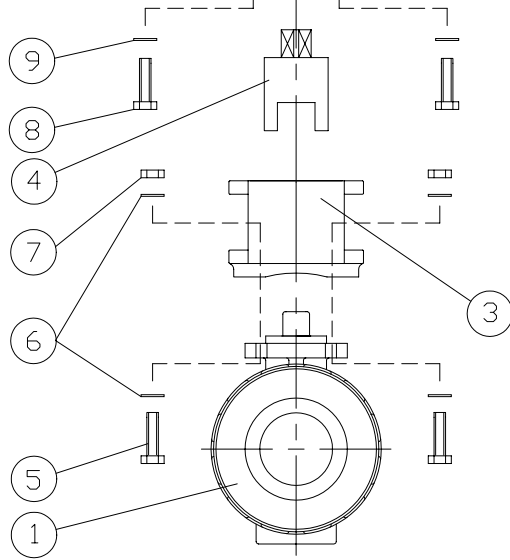
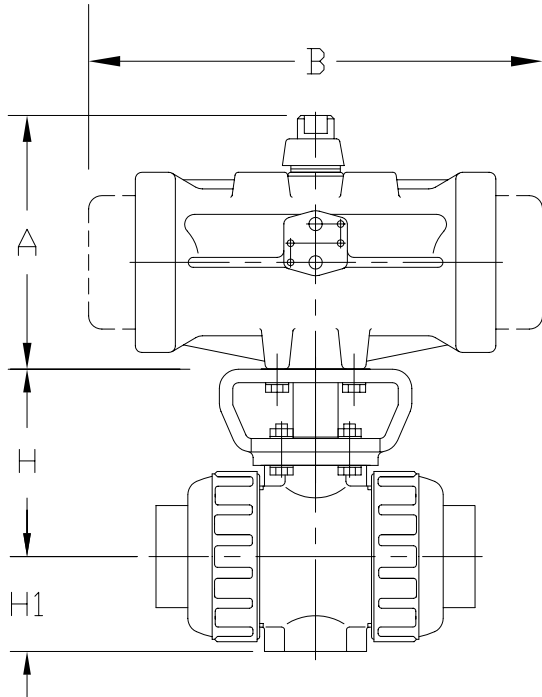


FOR REFERENCE ONLY
ASAHI/AMERICA

UNIT: INCH



VALVE SIZE	MODEL A-A	MODEL A-S	A		B		C		C1		C2	
			A-A	A-S	A-A	A-S	A-A	A-S	A-A	A-S	A-A	A-S
1/2"	AP79PN	AP79PSN	3.34	3.34	4.22	5.55	1.47	1.47	5.41	5.41	1.21	1.21
3/4"	AP79PN	AP79PSN	3.34	3.34	4.22	5.55	1.47	1.47	5.41	5.41	1.21	1.21
1"	AP79PN	AP79PSN	3.34	3.34	4.22	5.55	1.47	1.47	5.41	5.41	1.21	1.21
1-1/4"	AP79PN	AP79PSN	3.34	3.34	4.22	5.55	1.47	1.47	5.41	5.41	1.21	1.21
1-1/2"	AP79PN	BP79PSN	3.34	4.40	4.22	5.86	1.47	1.73	5.41	5.66	1.21	1.41
2"	AP79PN	CP79PSN	3.34	5.00	4.22	7.64	1.47	1.97	5.41	5.89	1.21	1.85



14	GASKET (OPTIONS)	NBR	2
13	O-RING (OPTIONS)	NBR	2
12	SOLENOID (ASCO) (OPTIONS)	ZYTEL	1
11	SCREW SOC HD (OPTIONS)	300SS	1
10	MOUNTING PLATE (OPTIONS)	ZYTEL	1
9	FLAT WASHER (M6.0)	STAINLESS STEEL	4
8	BOLT (FOR A79 (PW) USE M5.0x8-16LG) (FOR B79 (PO) USE M6.0x1-16LG) (FOR C79 (PI) USE M8.0x1.25-16LG)	STAINLESS STEEL	4
7	NUT (FOR 1/2" THRU 1-1/4" : M5.0x8) (FOR 1/2" THRU 1-1/4" : M6.0x1)	STAINLESS STEEL	4
6	FLAT WASHER (FOR 1/2" THRU 1-1/4" : M5.0) (FOR 1/2" THRU 1-1/4" : M6.0)	STAINLESS STEEL	8
5	BOLT (FOR 1/2" THRU 1-1/4" : M5.0x8-16LG) (FOR 1/2" THRU 1-1/4" : M6.0x1-20LG)	STAINLESS STEEL	4
4	COUPLING	STAINLESS STEEL 303	1
3	MOUNTING BRACKET	PPG	1
2	ACTUATOR SERIES 79	<input type="checkbox"/> GLASS FILLED POLYAMIDE <input type="checkbox"/> STAINLESS STEEL (OPTION) <input type="checkbox"/> RILSAN COATED CAST ALUMINUM (OPTION)	1
1	BALL VALVE TYPE 21	PVC, CPVC, PP, PVDF	1
ITEM	DESCRIPTION	MATERIAL	QTY

UNIT: INCH

VALVE SIZE	1/2"	3/4"	1"	1-1/4"	1-1/2"	2"
H	2.76	3.01	3.29	3.64	3.98	4.43
H1	1.14	1.38	1.54	1.85	2.17	2.60

NOTE. The shape and appearance of assembly differ a little with nominal size compared to this drawing.

THIS DRAWING AND ALL INFORMATION HEREON IS THE PROPERTY OF ASAHI/AMERICA. ANY COPYING, REPRODUCTION OR UNAUTHORIZED USE IS FORBIDDEN WITHOUT WRITTEN CONSENT.

DR	NAME	DATE
APPD	KENICHI MIYAZAKI	8/14/01
PROD	DAVE HURLEY	8/14/01
	LED LESTER	8/14/01
WO#/CO#		
FILE		

ASAHI/AMERICA

ISO 9001 CERTIFIED

35 GREEN STREET, P.O. BOX 653, MALDEN, MA.



BALL VALVE TYPE 21
SERIES 79 PNEUMATIC ACT.
1/2" THRU 2"

SIZE	A	DWG. NO.	0114BV	REV	A
SCALE	NTS	SHEET 1 OF 1			