

P Series Limit Switch



Specifications

Temperature: -20C to 80C
Limit Switches: 16A mechanical switches

Weight: 1.2 lbs.
Voltages: AC: 20 - 250DC: 10 - 300V
Housing: Aluminum
Shaft: 304SS
Indicator Cover: Polycarbonate
Fasteners: 304SS
Bracket: 304SS

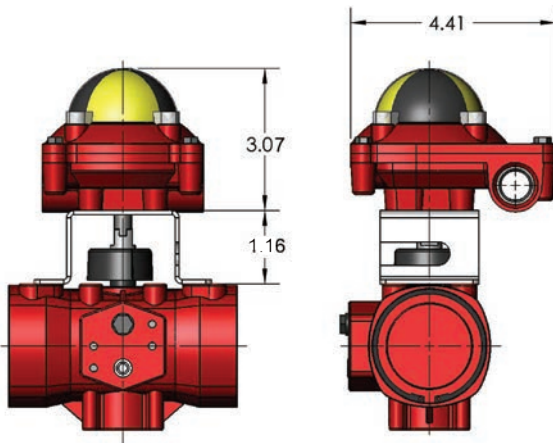
Standard Features

- Low cost valve position indication solution
- Thermally bonded rated powder coat finish Type 4X
- Two SPDT mechanical switches rated at 16 amps
- Indication of open/closed status with highly visible globe
- Easily adjustable cams for simple field calibration. No tools required
- Two 1/2" NPT conduit entries

Options

- Inductive limit switches

Dimensions (in.)



Wiring Diagram

