

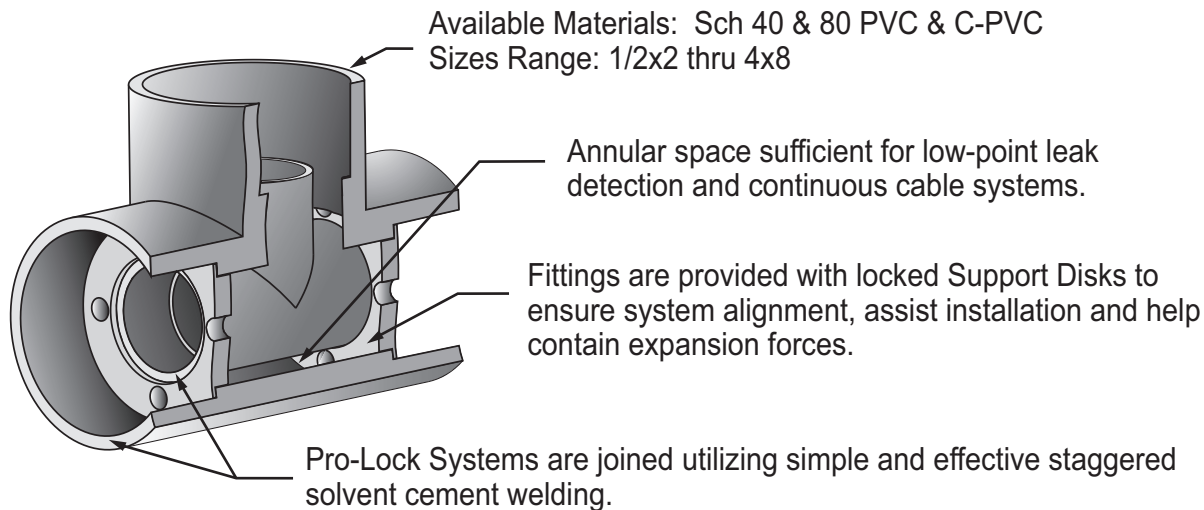
Pro-Lock™ PVC & C-PVC Double Containment

Pro-Lock systems by Asahi-America combine engineering design with cost effective materials. The result is reliable double contained piping systems for a variety of applications. Pro-Lock exceeds the requirements of EPA Standard 40 CFR, Part 280 & 281 for underground transport of hazardous chemicals.



Pro-Lock is ideally suited for use in water and wastewater treatment applications and anywhere sodium hypochlorite is used.

Pro-Lock™ Engineered Design



Why Specify Pro-Lock™ Systems

Pro-Lock system's design consists of a centralizing support disk inside the containment pipe & fitting, minimizing carrier pipe deflection & extending the system's life. Fittings are made of the same resin as the pipe and are available in a variety of configurations for pressure applications. Fittings are supplied from the factory dual contained and locked together ready for installation.

Pro-Lock is assembled in the field using staggered or simultaneous joining methods. Joining cements are recommended based on your application. Pro-Lock fittings and pipe are NSF-61 certified and IAPMO approved.

Pro-Lock™

Ideal Applications Include:

- Water Treatment
- Wastewater Treatment
- Anywhere sodium hypochlorite is the media being transported