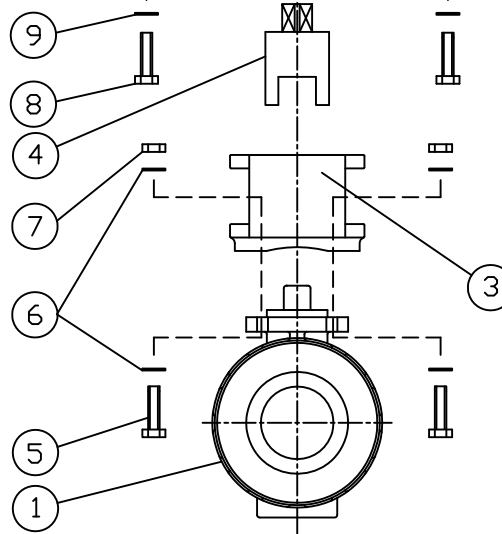
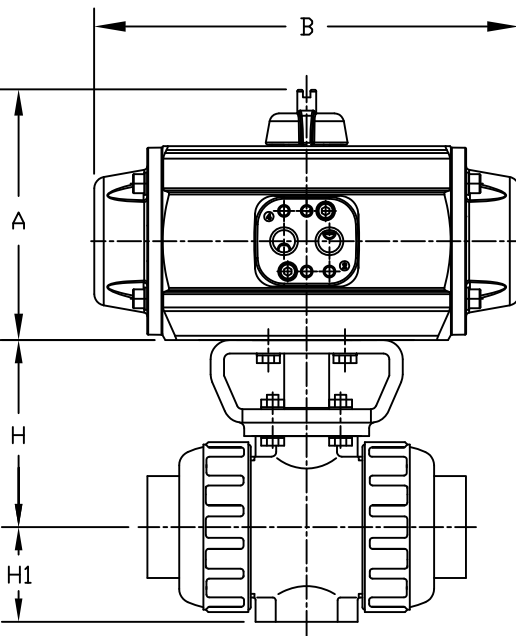
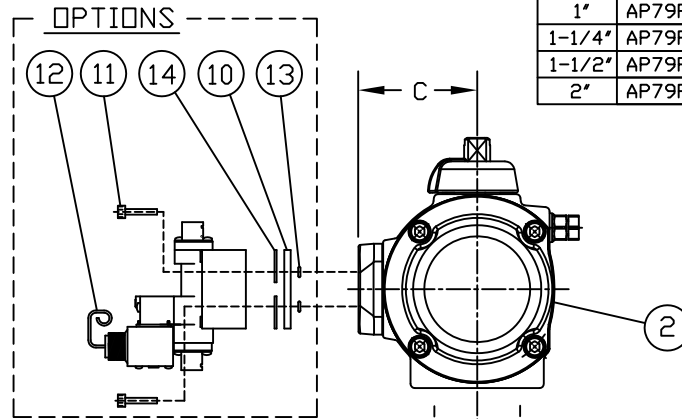
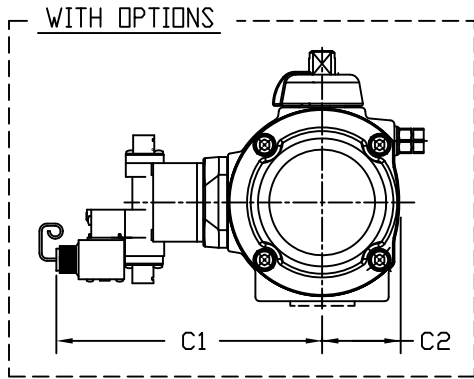


VALVE SIZE	MODEL A-A	MODEL A-S	A		B		C		C1		C2	
			A-A	A-S	A-A	A-S	A-A	A-S	A-A	A-S	A-A	A-S
1/2"	AP79PAN	AP79PASN	3.52	3.52	5.52	5.52	1.90	1.90	5.84	5.84	1.10	1.10
3/4"	AP79PAN	AP79PASN	3.52	3.52	5.52	5.52	1.90	1.90	5.84	5.84	1.10	1.10
1"	AP79PAN	AP79PASN	3.52	3.52	5.52	5.52	1.90	1.90	5.84	5.84	1.10	1.10
1-1/4"	AP79PAN	AP79PASN	3.52	3.52	5.52	5.52	1.90	1.90	5.84	5.84	1.10	1.10
1-1/2"	AP79PAN	BP79PASN	3.52	4.38	5.52	6.00	1.90	2.06	5.84	6.00	1.10	1.26
2"	AP79PAN	CP79PASN	3.52	5.21	5.52	8.84	1.90	2.47	5.84	6.41	1.10	1.61



14	GASKET (OPTIONS)	NBR	2
13	O-RING (OPTIONS)	NBR	2
12	SOLENOID (ASCO) (OPTIONS)	ZYTEL	1
11	SCREW SOC HD (OPTIONS)	300SS	1
10	MOUNTING PLATE (OPTIONS)	ZYTEL	1
9	FLAT WASHER (M6.0)	STAINLESS STEEL	4
8	BOLT (FOR A79A (PWA) USE M5.0x8-16LG) (FOR B79A (POA) USE M6.0x1-16LG) (FOR C79A (PIA) USE M8.0x1.25-16LG)	STAINLESS STEEL	4
7	NUT (FOR 1/2" THRU 1-1/4" : M5.0x8) (FOR 1/2" THRU 1-1/4" : M6.0x1)	STAINLESS STEEL	4
6	FLAT WASHER (FOR 1/2" THRU 1-1/4" : M5.0) (FOR 1/2" THRU 1-1/4" : M6.0)	STAINLESS STEEL	8
5	BOLT (FOR 1/2" THRU 1-1/4" : M5.0x8-16LG) (FOR 1/2" THRU 1-1/4" : M6.0x1-20LG)	STAINLESS STEEL	4
4	COUPLING	STAINLESS STEEL 303	1
3	MOUNTING BRACKET	PPG	1
2	ACTUATOR SERIES 79A	<input type="checkbox"/> GLASS FILLED POLYAMIDE <input type="checkbox"/> STAINLESS STEEL (OPTION) <input type="checkbox"/> RILSAN COATED CAST ALUMINUM (OPTION)	1
1	BALL VALVE TYPE 21	PVC, CPVC, PP, PVDF	1
ITEM	DESCRIPTION	MATERIAL	QTY

UNIT: INCH

VALVE SIZE	1/2"	3/4"	1"	1-1/4"	1-1/2"	2"
H	2.76	3.01	3.29	3.64	3.98	4.43
H1	1.14	1.38	1.54	1.85	2.17	2.60

NOTE. The shape and appearance of assembly differ a little with nominal size compared to this drawing.

THIS DRAWING AND ALL INFORMATION HEREON IS THE PROPERTY OF ASAHI/AMERICA. ANY COPYING, REPRODUCTION OR UNAUTHORIZED USE IS FORBIDDEN WITHOUT WRITTEN CONSENT.

	NAME	DATE
DR	JOHN GLASSFORD	7/1/08
APPD	DAVE HURLEY	7/8/08
PROD		
WO#/CO#		
FILE		

**ASAHI/AMERICA**

ISO 9001 CERTIFIED  
35 GREEN STREET, P.O. BOX 653, MALDEN, MA.



BALL VALVE TYPE 21  
SERIES 79PA PNEUMATIC ACT.  
1/2" THRU 2"

SIZE	A	DWG. NO.	0685BV21	REV	A
SCALE	NTS		SHEET 1 OF 1		