

Chemical Feed/Dosing System Components



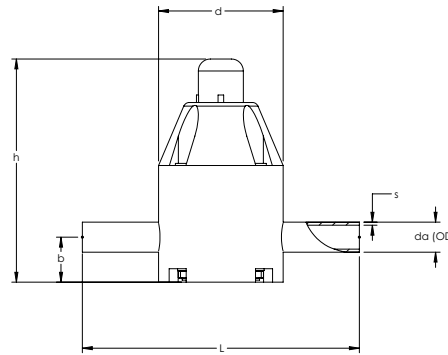
Pressure Regulators • Gauge Guards • Calibration Columns

Another
Corrosion
Problem
Solved.™



Certified to
NSF/ANSI 61-G

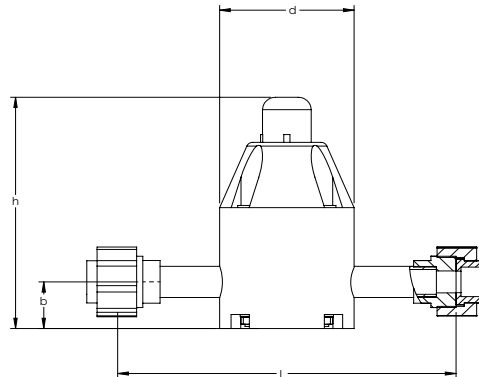




V86 Back Pressure / Relief Valves Straight (Inline) - Butt/IR Ends

Size		Dimensions						Range (psi)	SDR11 / PN 10 / 150 PSI	
mm	Inch	da(OD)	d	L	b	h	s		EPDM	PTFE/FKM
									Part Number	Part Number
20	1/2	0.787	3.268	7.25	0.787	5.394	0.11	7.25-145	588601105	588600105
25	3/4	0.984	3.268	7.25	0.787	5.394	0.138	7.25-146	588601107	588600107
32	1	1.26	4.409	8.50	1.063	7.835	0.118	7.25-147	588601110	588600110
50	1-1/2	1.968	6.496	10.50	1.693	11.417	0.181	7.25-148	588601115	588600115
63	2	2.48	6.496	10.50	1.693	11.417	0.228	7.25-149	588601120	588600120

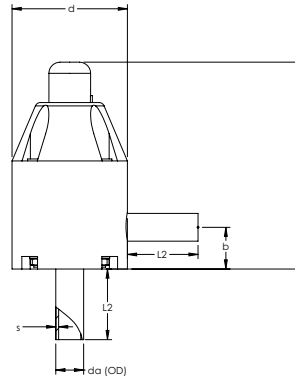
Non-returnable and non-cancelable.



V86 Back Pressure / Relief Valves Straight (Inline) - Socket Union

Size		Dimensions						Range (psi)	SDR11 / PN 10 / 150 PSI	
mm	Inch	da(OD)	d	L	b	h	s		EPDM	PTFE/FKM
									Part Number	Part Number
20	1/2	0.787	3.268	6.50	0.787	5.394	0.11	7.25-145	588601205	588600205
25	3/4	0.984	3.268	6.50	0.787	5.394	0.138	7.25-146	588601207	588600207
32	1	1.26	4.409	7.75	1.063	7.835	0.118	7.25-147	588601210	588600210
50	1-1/2	1.968	6.496	9.75	1.693	11.417	0.181	7.25-148	588601215	588600215
63	2	2.48	6.496	9.75	1.693	11.417	0.228	7.25-149	588601220	588600220

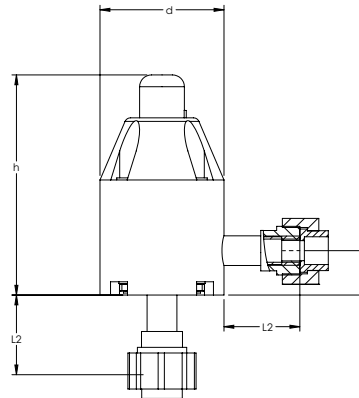
Non-returnable and non-cancelable.



V86 Back Pressure / Relief Valves Angle - Butt/IR Ends

Size		Dimensions						Range (psi)	SDR11 / PN 10 / 150 PSI	
mm	Inch	da(OD)	d	L2	b	h	s		EPDM	PTFE/FKM
									Part Number	Part Number
20	1/2	0.787	3.268	2.00	0.787	5.394	0.11	7.25-145	588611105	588610105
25	3/4	0.984	3.268	2.00	0.787	5.394	0.138	7.25-146	588611107	588610107
32	1	1.26	4.409	2.00	1.063	7.835	0.118	7.25-147	588611110	588610110

Non-returnable and non-cancelable.



V86 Back Pressure / Relief Valves Angle - Socket Union

Size		Dimensions						Range (psi)	SDR11 / PN 10 / 150 PSI	
mm	Inch	da(OD)	d	L2	b	h	s		EPDM	PTFE/FKM
									Part Number	Part Number
20	1/2	0.787	3.268	1.50	0.787	5.394	0.11	7.25-145	588611205	588610205
25	3/4	0.984	3.268	1.50	0.787	5.394	0.138	7.25-146	588611207	588610207
32	1	1.26	4.409	1.50	1.063	7.835	0.118	7.25-147	588611210	588610210

Non-returnable and non-cancelable.



EM-Technik Series 3D Diaphragm Gauge Guard

Size		20mm Spigot	
mm	inch	PTFE/EPDM	PTFE/FKM
		Part Number	Part Number
20	1/2	582314005	582414005

*Gauge not included.
Non-returnable and non-cancelable.


Calibration Column



Size		Clear PVC Tube, Socket		
mm	inch	Description	FKM Part Number	EPDM Part Number
20	1/2	3 GPH (100mL)	582703005	582603005
20	1/2	6 GPH (200mL)	582706005	582606005
25	3/4	16 GPH (500mL)	582716007	582616007
25	3/4	32 GPH (1000mL)	582732007	582632007
32	1	60 GPH (2000mL)	562760010	562660010
32	1	120 GPH (4000mL)	582712010	582612010

Non-returnable and non-cancelable.

Another Corrosion Problem Solved.TM



Tel: 800-343-3618; 781-321-5409

Direct Sales: East (800) 232-7244
Central (800) 442-7244
West (800) 282-7244

Fax: 800-426-7058

www.asahi-america.com
asahi@asahi-america.com