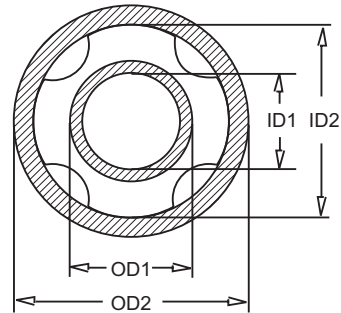


Chem Prolok®
Advanced PE



Chem Prolok® PE Double Wall Piping System



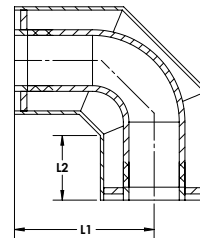


SIMULTANEOUS WELDING PIPE* 5 meter (16.4') lengths

| Size | | Dimensions | | | | SDR 11 X 33/ PN 10 x 3/ 150 X 45 PSI |
|-----------|---------|------------|-------|-------|-------|--------------------------------------|
| mm | inches | OD1 | OD2 | ID1 | ID2 | Part Number |
| 32 x 90 | 1 x 3 | 1.26 | 3.54 | 1.02 | 2.80 | 584300134* |
| 63 x 110 | 2 x 4 | 2.48 | 4.33 | 2.02 | 4.06 | 584300420 |
| 90 x 160 | 3 x 6 | 3.54 | 6.30 | 2.90 | 5.91 | 584300531 |
| 110 x 200 | 4 x 8 | 4.33 | 7.87 | 3.54 | 7.39 | 584300583 |
| 200 x 250 | 6 x 10 | 6.30 | 9.84 | 5.15 | 9.23 | 584300627 |
| 200 x 315 | 8 x 12 | 7.87 | 12.40 | 6.44 | 11.63 | 584300660 |
| 250 x 355 | 10 x 14 | 9.84 | 13.98 | 8.05 | 13.10 | 584300702 |
| 315 x 400 | 12 x 16 | 12.40 | 15.75 | 10.14 | 14.77 | 584300690 |

*Pipe is sold in 5 meter lengths (16.4')

*SDR 11 x 11.

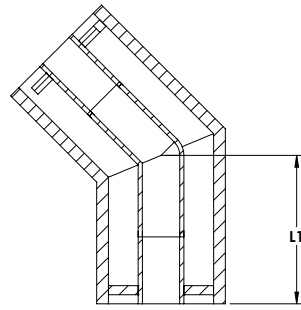


90 DEGREE ELBOW

| Size | | Dimensions | | SDR 11 X 33/ PN 10 x 3/ 150 X 45 PSI |
|-----------|---------|------------|-------|--------------------------------------|
| mm | inches | L1 | L2 | Part Number |
| 32 x 90 | 1 x 3 | 5.125 | 2.750 | 584295134* |
| 63 x 110 | 2 x 4 | 5.625 | 2.625 | 584295420 |
| 90 x 160 | 3 x 6 | 7.125 | 2.750 | 584295531 |
| 110 x 200 | 4 x 8 | 9.250 | 3.375 | 584295583 |
| 200 x 250 | 6 x 10 | 14.500 | 4.000 | 582910627 |
| 200 x 315 | 8 x 12 | 19.375 | 5.375 | 582910660 |
| 250 x 355 | 10 x 14 | 19.250 | 5.125 | 582910702 |
| 315 x 400 | 12 x 16 | 19.375 | 4.750 | 582910690 |

*SDR 11 x 11

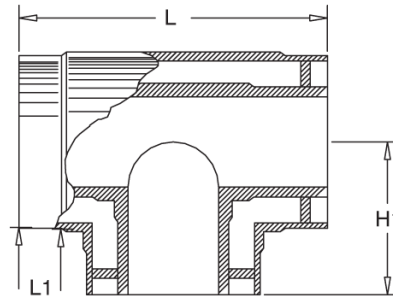
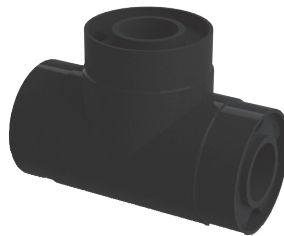
Chem Prolok®
Advanced PE



45 DEGREE ELBOW

| Size | | Dimensions | SDR 11 X 33/ PN 10 x 3/ 150 X 45 PSI |
|-----------|---------|------------|--------------------------------------|
| mm | inches | L1 | Part Number |
| 32 x 90 | 1 x 3 | 3.375 | 584296134* |
| 63 x 110 | 2 x 4 | 2.875 | 584296420 |
| 90 x 160 | 3 x 6 | 3.500 | 584296531 |
| 110 x 200 | 4 x 8 | 3.375 | 584296583 |
| 200 x 250 | 6 x 10 | 4.000 | 582900627 |
| 200 x 315 | 8 x 12 | 5.375 | 582900660 |
| 250 x 355 | 10 x 14 | 5.125 | 582900702 |
| 315 x 400 | 12 x 16 | 4.750 | 582900690 |

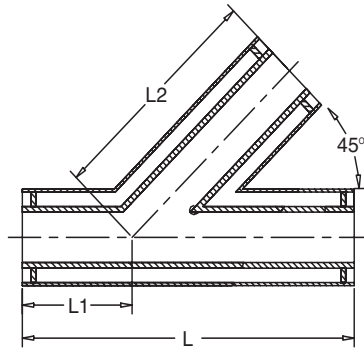
*SDR 11 x 11.



TEE

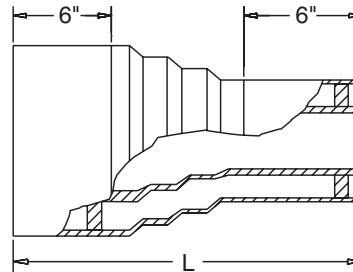
| Size | | Dimensions | | | SDR 11 X 33/ PN 10 x 3/ 150 X 45 PSI |
|-----------|--------|------------|-------|-------|--------------------------------------|
| mm | inches | L | L1 | H | Part Number |
| 32 x 90 | 1 x 3 | 8.375 | 1.500 | 4.125 | 584294134* |
| 63 x 110 | 2 x 4 | 8.750 | 1.375 | 4.250 | 584294420 |
| 90 x 160 | 3 x 6 | 11.000 | 1.750 | 5.500 | 584294531 |
| 110 x 200 | 4 x 8 | 13.500 | 1.875 | 6.750 | 584294583 |

*SDR 11 x 11.



LATERAL STYLE

| Size | | Dimensions | | | SDR 11 X 33/ PN 6 x 2/ 90 X 30 PSI |
|-----------|---------|------------|--------|--------|------------------------------------|
| mm | inches | L | L1 | L2 | Part Number |
| 63 x 110 | 2 x 4 | 6.00 | 18.00 | 12.00 | 584290420 |
| 90 x 160 | 3 x 6 | 8.00 | 24.00 | 16.00 | 584290531 |
| 110 X 200 | 4 x 8 | 10.00 | 30.00 | 20.00 | 584290583 |
| 200 x 250 | 6 x 10 | 12.000 | 36.000 | 24.000 | 584290627 |
| 200 x 315 | 8 x 12 | 14.000 | 42.000 | 28.000 | 584290660 |
| 250 x 355 | 10 x 14 | 16.000 | 48.000 | 32.000 | 584290702 |
| 315 x 400 | 12 x 16 | 18.000 | 54.000 | 36.000 | 584290690 |

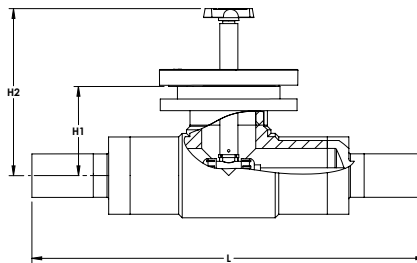


CONCENTRIC REDUCER

| Size | | Dimensions | | | SDR 11 X 33/ PN 10 x 3/ 150 X 45 PSI |
|--------------------|----------------|------------|-------|-------|--------------------------------------|
| mm | inches | L | L1 | H | Part Number |
| (63x32)(110x90) | (2x1)(4x3) | 6.375 | 4.375 | 1.625 | 584299740 |
| (90x32)(160x90) | (3x1)(6x3) | 8.375 | 2.500 | 2.375 | 584299741 |
| (90x63)(160x110) | (3x2)(6x4) | 7.250 | 2.500 | 2.500 | 584299743 |
| (110x63)(200x110) | (4x2)(8x4) | 9.750 | 2.500 | 2.500 | 584299744 |
| (110x90)(200x160) | (4x3)(8x6) | 8.500 | 3.500 | 2.500 | 584299746 |
| (160x90)(250x160) | (6x3)(10x6) | 9.830 | 2.000 | 2.000 | 584299747 |
| (160x110)(250x200) | (6x4)(10x8) | 7.860 | 2.000 | 2.000 | 584299748 |
| (200x110)(315x200) | (8x4)(12x8) | 12.750 | 3.000 | 2.150 | 584299895 |
| (200x160)(315x250) | (8x6)(12x10) | 9.650 | 3.000 | 3.000 | 584299893 |
| (250x160)(355x250) | (10x6)(14x10) | 10.290 | 2.000 | 2.000 | 584299902 |
| (250x200)(355x315) | (10x8)(14x12) | 10.000 | 3.000 | 3.000 | 584299899 |
| (315x200)(400x315) | (12x8)(16x12) | 11.000 | 3.200 | 3.200 | 584299915 |
| (315x250)(400x355) | (12x10)(16x14) | 10.000 | 3.000 | 3.000 | 584299910 |

Chem Prolok®
Advanced PE

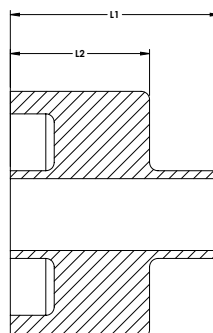
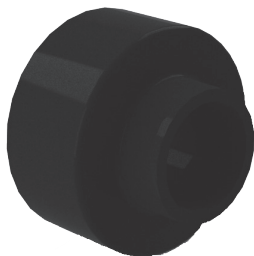
Chem Prolok®
Advanced PE



DC VALVE TEE

| Size | | Dimensions | | | SDR 11 X 33/ PN 10 x 3/ 150 X 45 PSI |
|----------|--------|------------|--------|--------|--------------------------------------|
| mm | inches | L | H1 | H2 | Part Number |
| 32 x 90 | 1 x 3 | 32.125 | 7.250 | 13.625 | 584291134 |
| 63 x 110 | 2 x 4 | 38.875 | 12.625 | 18.375 | 584291420 |

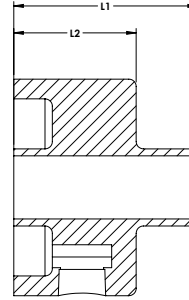
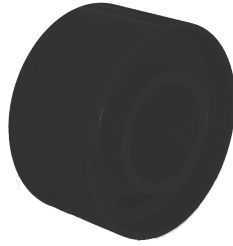
Price does not include valve. Order valve separately. Designed only for Type-21 ball valves and ball checks. Contact factory for other valve needs.



END TERMINATION

| Size | | Dimensions | | SDR 11 X 33/ PN 10 x 3/ 150 X 45 PSI |
|-----------|---------|------------|-------|--------------------------------------|
| mm | inches | L1 | L2 | Part Number |
| 32 x 90 | 1 x 3 | 3.000 | 2.000 | 584297134* |
| 63 x 110 | 2 x 4 | 3.000 | 2.000 | 584297420 |
| 90 x 160 | 3 x 6 | 3.000 | 2.000 | 584297531 |
| 110 x 200 | 4 x 8 | 3.000 | 2.000 | 584297583 |
| 200 x 250 | 6 x 10 | 3.000 | 2.000 | 584297627 |
| 200 x 315 | 8 x 12 | 3.000 | 2.000 | 584297660 |
| 250 x 355 | 10 x 14 | 3.500 | 2.250 | 584297702 |
| 315 x 400 | 12 x 16 | 3.500 | 2.250 | 584297690 |

*SDR 11 x 11.

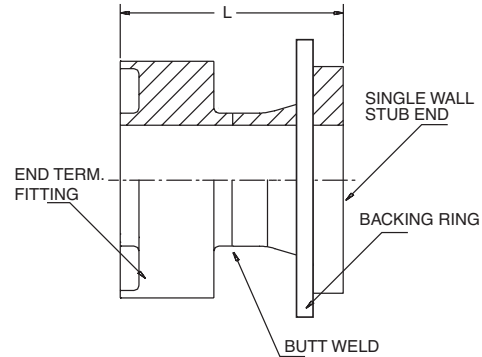
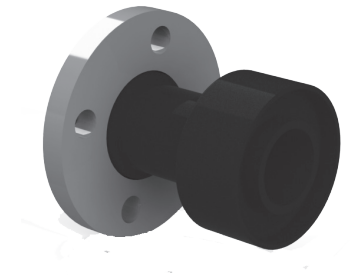


Chem Prolok®
Advanced PE

END TERMINATION WITH 1/2" FPT

| Size | | Dimensions | | SDR 11 X 33/ PN 10 x 3/ 150 X 45 PSI |
|-----------|---------|------------|-------|--------------------------------------|
| mm | inches | L1 | L2 | Part Number |
| 32 x 90 | 1 x 3 | 3.000 | 2.000 | 584298134* |
| 63 x 110 | 2 x 4 | 3.000 | 2.250 | 584298420 |
| 90 x 160 | 3 x 6 | 3.000 | 2.250 | 584298531 |
| 110 x 200 | 4 x 8 | 3.000 | 2.250 | 584298583 |
| 200 x 250 | 6 x 10 | 3.000 | 2.250 | 584298627 |
| 200 x 315 | 8 x 12 | 3.000 | 2.250 | 584298660 |
| 250 x 355 | 10 x 14 | 3.500 | 2.750 | 584298702 |
| 315 x 400 | 12 x 16 | 3.500 | 2.750 | 584298690 |

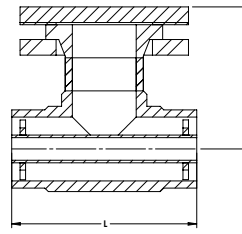
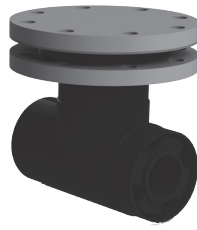
*SDR 11 x 11.



FLANGED END TERMINATION

| Size | | Dimensions | SDR 11 X 33/ PN 10 x 3/ 150 X 45 PSI |
|-----------|---------|------------|--------------------------------------|
| mm | inches | L1 | Part Number |
| 32 x 90 | 1 x 3 | 4.75 | 584287134 |
| 63 x 110 | 2 x 4 | 4.75 | 584287420 |
| 90 x 160 | 3 x 6 | 6.00 | 584287531 |
| 110 x 200 | 4 x 8 | 6.00 | 584287583 |
| 200 x 250 | 6 x 10 | 6.00 | 584287627 |
| 200 x 315 | 8 x 12 | 6.00 | 584287660 |
| 250 x 355 | 10 x 14 | 7.00 | 584287702 |
| 315 x 400 | 12 x 16 | 7.25 | 584287690 |

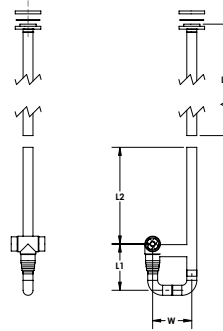
*SDR 11 x 11.



ACCESS TEE WITH PP BLIND AND PTFE AV

| Size | | Dimensions | | SDR 11 X 33/ PN 10 x 3/ 150 X 45 PSI |
|-----------|---------|------------|--------|--------------------------------------|
| mm | inches | L | H | Part Number |
| 32 x 90 | 1 x 3 | 8.375 | 6.500 | 584293134* |
| 63 x 110 | 2 x 4 | 8.750 | 6.750 | 584293420 |
| 90 x 160 | 3 x 6 | 11.000 | 9.250 | 584293531 |
| 110 x 200 | 4 x 8 | 13.500 | 10.375 | 584293583 |
| 200 x 250 | 6 x 10 | 18.750 | 12.500 | 584293627 |
| 200 x 315 | 8 x 12 | 21.625 | 14.875 | 584293660 |
| 250 x 355 | 10 x 14 | 26.875 | 18.375 | 584293702 |
| 315 x 400 | 12 x 16 | 27.375 | 20.250 | 584293690 |

*SDR 11 x 11.



LOW POINT LEAK DETECTION STATION WITH FLANGE RISER

| Size | | Dimensions | | | | SDR 11 X 33/ PN 10 x 3/ 150 X 45 PSI |
|-----------|---------|------------|--------|--------|--------|--------------------------------------|
| mm | inches | L1 | L2 | L3 | W | Part Number |
| 32 x 90 | 1 x 3 | 11.500 | 24.000 | 36.000 | 9.750 | 584292134* |
| 63 x 110 | 2 x 4 | 11.500 | 18.000 | 36.000 | 9.750 | 584292420 |
| 90 x 160 | 3 x 6 | 13.500 | 18.000 | 36.000 | 9.750 | 584292531 |
| 110 x 200 | 4 x 8 | 14.750 | 18.000 | 36.000 | 9.750 | 584292583 |
| 200 x 250 | 6 x 10 | 19.750 | 18.000 | 36.000 | 13.500 | 584292627 |
| 200 x 315 | 8 x 12 | 21.750 | 18.000 | 36.000 | 13.500 | 584292660 |
| 250 x 355 | 10 x 14 | 24.375 | 18.000 | 36.000 | 14.500 | 584292702 |
| 315 x 400 | 12 x 16 | 24.125 | 18.000 | 36.000 | 14.500 | 584292690 |

*SDR 11 x 11.