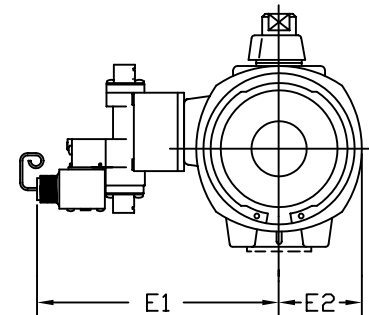
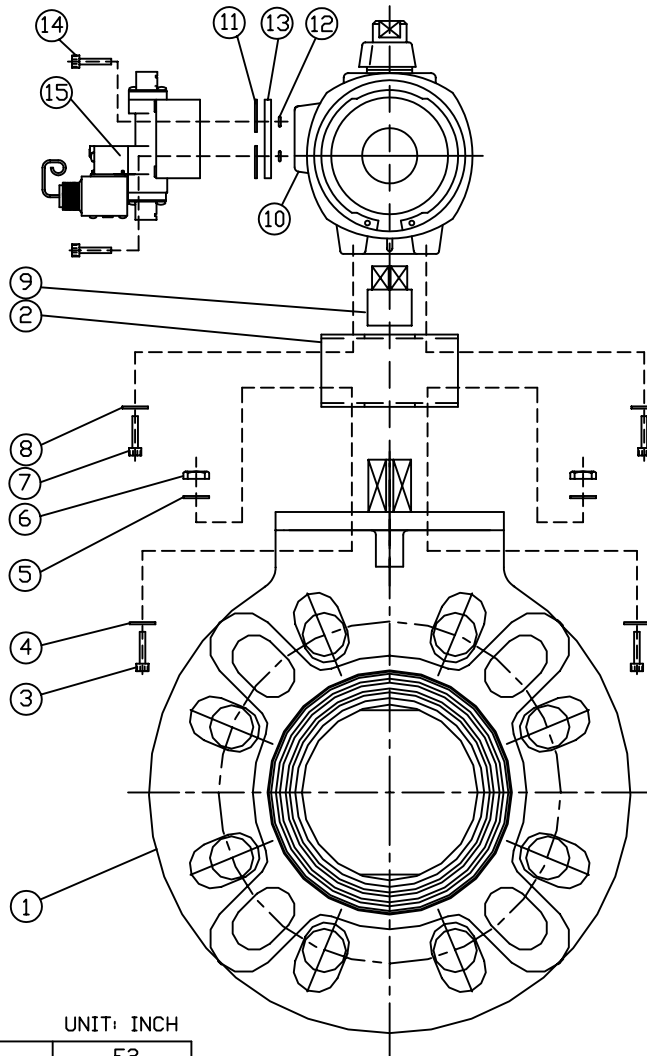
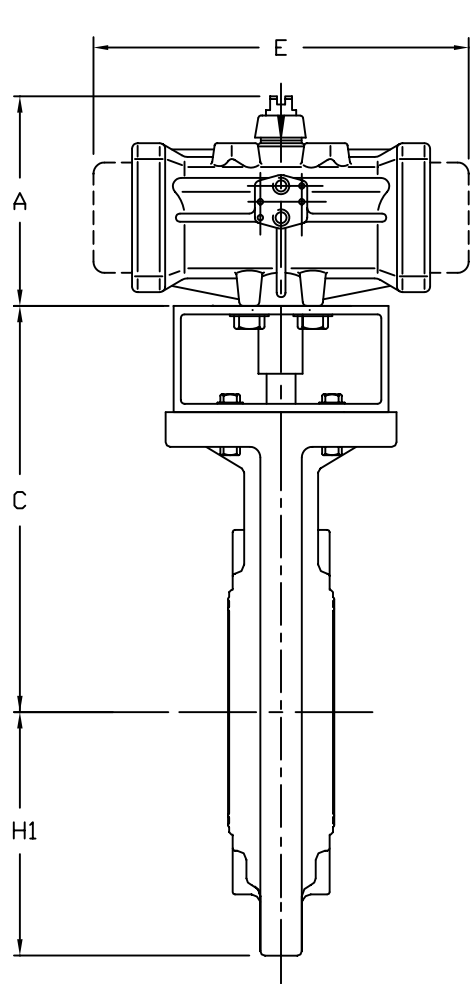


**FOR REFERENCE ONLY**  
**ASAHI/AMERICA**



NOTE: ACTUATOR BODY IS CAST ALUMINUM WITH RILSAN (POLYAMIDE NYLON II) COATING FOR VALVE SIZES 8 THROUGH 24 AIR-AIR AND 5 THROUGH 12 AIR-SPRING. ACTUATOR BODY IS AVAILABLE IN STAINLESS STEEL OR GLASS FILLED POLYAMIDE FOR VALVE SIZES 1 1/2 THROUGH 6 AIR-AIR AND 1 1/2 THROUGH 4 AIR-SPRING

15	SOLENOID, ASCO (OPTIONS)	ZYTEL	1
14	SCREW, SDC HEAD (OPTIONS)	STAINLESS STEEL 303	2
13	PLATE MOUNTING (OPTIONS)	ZYTEL	1
12	O-RING (OPTIONS)	NBR	2
11	GASKET (OPTIONS)	NBR	2
10	ACTUATOR (SEE NOTE)	SERIES 79P	1
9	SHAFT ADAPTER	STAINLESS STEEL 303	1
8	FLAT WASHER	STAINLESS STEEL 303	4
7	SCREW	STAINLESS STEEL 303	4
6	NUT, HEX LOCKING	STAINLESS STEEL 303	4
5	WASHER, FLAT	STAINLESS STEEL 303	4
4	WASHER, FLAT	STAINLESS STEEL 303	4
3	SCREW	STAINLESS STEEL 303	4
2	MOUNTING BRACKET	STAINLESS STEEL 303	1
1	BUTTERFLY VALVE TYPE57	U-PVC, PP, PVDF	1
No.	DESCRIPTION	MATERIAL	QTY

UNIT: INCH

VALVE SIZE	C	H1	A		E		E1		E2	
			A-A	A-S	A-A	A-S	A-A	A-S	A-A	A-S
1 1/2	5.50	2.95	4.40	5.00	4.92	8.74	6.02	6.25	1.41	1.85
2	5.57	3.25	4.40	5.00	4.92	8.74	6.02	6.25	1.41	1.85
2 1/2	6.08	3.66	4.40	5.00	4.92	8.74	6.02	6.25	1.41	1.85
3	6.28	3.94	5.00	6.49	7.00	11.49	6.25	6.84	1.85	2.36
4	6.56	4.53	5.00	6.49	7.00	11.49	6.25	6.84	1.85	2.36
5	8.05	5.00	5.00	8.54	7.00	17.04	6.25	7.83	1.85	3.23
6	9.01	5.63	6.49	8.54	9.21	17.04	6.84	7.83	2.36	3.23
8	11.27	6.69	8.54	11.26	12.12	25.28	7.83	8.42	3.23	3.78
10	12.46	7.99	8.54	13.07	12.12	20.83	7.83	9.41	3.23	4.76
12	14.69	9.53	11.26	13.07	16.46	20.83	8.42	9.41	3.78	4.76
14	14.81	10.24	11.26	15.47	16.46	22.44	8.42	11.84	3.78	6.75

NOTE: The shape and appearance of assembly differ a little with nominal size compared to this drawing.

THIS DRAWING AND ALL INFORMATION HEREON IS THE PROPERTY OF ASAHI/AMERICA. ANY COPYING, REPRODUCTION OR UNAUTHORIZED USE IS FORBIDDEN WITHOUT WRITTEN CONSENT.

	NAME	DATE
DR	JOHN GLASSFORD	6/14/05
APPD	DAVE HURLEY	6/14/05
PROD	LEO LESTER	6/14/05
WO#/CO#		
FILE		

**ASAHI/AMERICA**  
 ISO 9001 CERTIFIED  
 35 GREEN STREET, P.O. BOX 653, MALDEN, MA.



BUTTERFLY VALVE TYPE57  
 SERIES79P PNEUMATIC ACT.  
 1-1/2" THRU. 14"

SIZE	A	DWG. NO.	0167BF57	REV	A
SCALE	NTS		SHEET 1 OF 1		