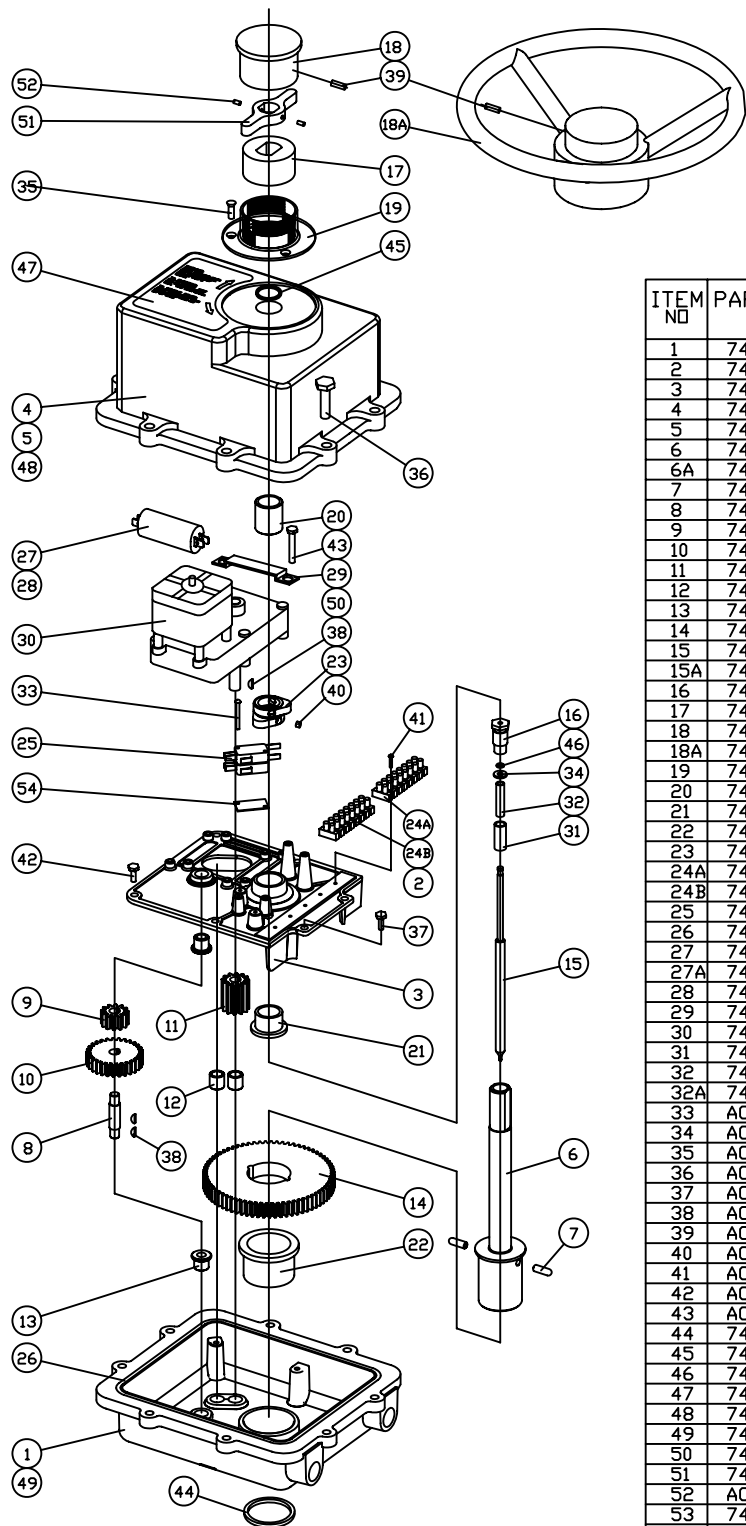


SERIES 92

PARTS LIST & MATERIALS OF CONSTRUCTION



S92= 400 IN*LBS
 A92= 700 IN*LBS
 B92=1100 IN*LBS
 C92=2000 IN*LBS

ITEM NO	PART NO	QUANTITY				DESCRIPTION
		S92	A92	B92	C92	
1	7401920	1	1	1	1	BASE
2	7401440	1	1	1	1	WIRING HARNESS - 4 PCS
3	7401060	1	1	1	1	BASE PLATE
4	7401940	1	1	1	1	COVER
5	7401925	1	1	1	1	WIRING DIAGRAM LABEL
6	7401900	1	1	1	-	SHAFT MAIN
6A	7401905	-	-	-	1	SHAFT MAIN
7	7401360	2	2	2	2	PIN
8	7401280	-	-	1	1	SHAFT STUB
9	7402003	-	-	1	1	SPUR GEAR 1B
10	7402002	-	-	1	1	SPUR GEAR 1A
11	7401400	1	1	1	1	GEAR PINION
12	7401540	1	1	1	1	BEARING PINION
13	7402006	-	-	2	2	BEARING FL - SPUR GEAR
14	7401380	1	1	1	1	GEAR MAIN
15	7401200	1	1	1	-	SHAFT INNER
15A	7401210	-	-	-	1	SHAFT INNER
16	7401180	1	1	1	1	SHAFT RETAINER
17	7401300	1	1	1	1	KNOB LOWER
18	7401320	1	1	1	-	KNOB UPPER
18A	7401995	-	-	-	1	HANDWHEEL
19	7401260	1	1	1	1	COLLAR
20	7401120	1	1	1	1	BEARING UPPER COVER
21	7401080	1	1	1	1	BASE PLATE BEARING
22	7401020	1	1	1	1	BASE BEARING
23	7401480	2	2	2	2	CAM
24A	7401420	2	2	2	2	TERMINAL BLOCK 1-8
24B	7401425	2	2	2	2	TERMINAL BLOCK 9-16
25	7401460	2	2	2	2	MICRO SWITCH (V7-6C13D8-132)
26	7401560	1	1	1	1	O-RING BASE/COVER
27	7401948	1	-	1	-	CAPACITOR 4.2 MFD
27A	7402004	-	1	-	-	CAPACITOR 6.7 MFD
28	7403008	-	-	-	1	CAPACITOR 7.6 MFD
29	7401520	1	1	1	1	CAPACITOR BRACKET
30	7401340	1	1	1	1	MOTOR
31	7401250	1	1	1	1	SHELL
32	7401220	1	1	1	-	SPRING
32A	7401230	-	-	-	1	SPRING
33	ACTMSC	2	2	2	2	SCREW ROUND HD. 4-40 x 1.00 LG
34	ACTMSC	1	1	1	1	WASHER, FLAT #10 Ø.450 x .06 THK
35	ACTMSC	3	3	3	3	SCREW FLAT HD. 8-32 x .25 LG. SS.
36	ACTMSC	8	8	8	8	SCREW HEX HD. 5/16-18 x 1.00 LG. SS.
37	ACTMSC	1	1	1	1	SCREW SELF TAP (GREEN) #10 x .50 LG.
38	ACTMSC	1	1	3	3	KEY, WOODRUF 3/32
39	ACTMSC	1	1	1	1	SCREW SLOT SET 8-32 x .50 LG. SS.
40	ACTMSC	4	4	4	4	SCREW SET 8-32 x .12 LG.
41	ACTMSC	4	4	4	4	SCREW SELF TAP #4 x .50 LG.
42	ACTMSC	5	5	5	5	SCREW SELF TAP SLOT/HEX #10 x .50 LG.
43	ACTMSC	4	4	4	4	SCREW SLOT/HEX 10-32 x 1.62 LG.
44	7401040	1	1	1	1	SEAL BASE
45	7401140	1	1	1	1	SEAL COVER
46	7401580	1	1	1	1	O-RING SHAFT
47	7401950	1	1	1	1	OVERRIDE LABEL
48	7401960	1	1	1	1	COVER NAMEPLATE
49	7401970	1	1	1	1	BASE NAMEPLATE
50	7401430	1	1	1	1	CAPACITOR HARNESS- 2 PCS
51	7401485	-	-	-	1	HANDWHEEL CAM
52	ACTMSC	-	-	-	2	CAM SCREW SET 1/4-20 x 7/250 LG.
53	7401971	1	1	1	1	OPTION WIRING DIAGRAM
54	7403240	1	1	1	1	NOMEX INSULATOR PLATE (220VAC ONLY)

THIS DRAWING AND ALL INFORMATION HEREON IS THE PROPERTY OF ASAHI/AMERICA. ANY COPYING, REPRODUCTION OR UNAUTHORIZED USE IS FORBIDDEN WITHOUT WRITTEN CONSENT.

ASAHI/AMERICA

ISO 9001 CERTIFIED

35 GREEN STREET, P.O. BOX 653, MALDEN, MA.



SERIES 92 EXPLODED VIEW

	NAME	DATE
DR	J.GLASSFORD	6/18/07
CHK	D.HURLEY	6/18/07
APPD	L.LESTER	6/19/07

SIZE A	DWG. NO. 289S92	REV E
-----------	--------------------	----------

DO NOT SCALE DRAWING

SCALE NTS	SHEET 1 OF 1
--------------	--------------