

# Type-342 Diaphragm Valves



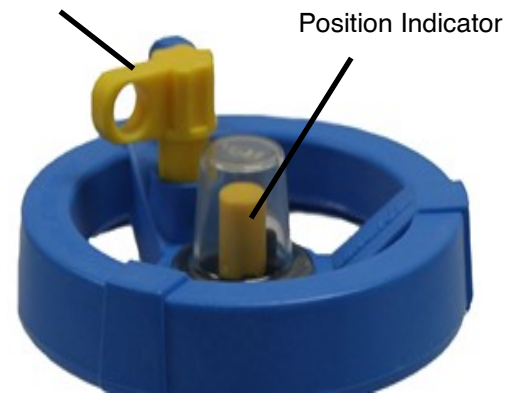
## Technical Specifications:

- Body Materials:** PVDF (Purad®) : 1/2" - 4"  
 PP-Pure® : 1/2" - 4"  
 PolyPure® : 1/2" - 2"
- Bonnet Material:** PPG
- Diaphragm:** PTFE with EPDM backing  
 EPDM
- End Connections:** Metric (DIN) spigot standard
- Operator:** Handwheel

## Standard Features:

- Unibody molded construction
- No wetted metal components
- Integral lockout device to prevent unauthorized cycling can be locked in multiple positions
- All metal nuts and bolts capped to reduce exposure
- Position indicator with marked 25%, 50%, and 75% open positions
- Molded in a clean environment, cleaned for 1 hour in a HUPW system after secondary machining. Shipped double-bagged.
- Fully serviceable with replacement diaphragms available

Integral Locking Handle



Position Indicator

## Options:

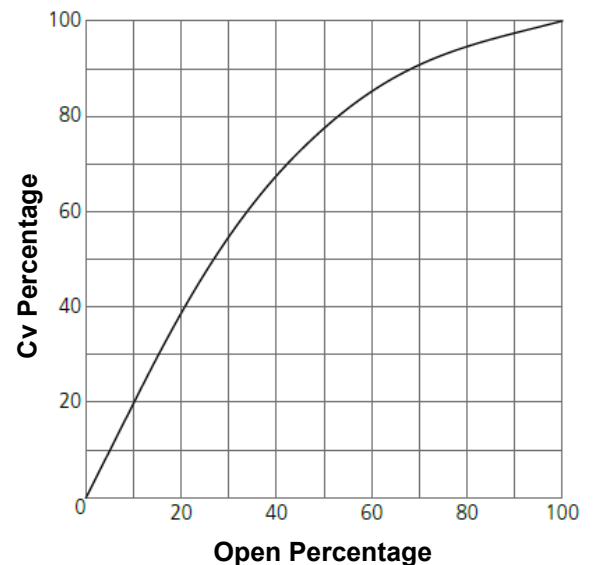
- Complete line of fabricated valves:
  - Sanitary adapters
  - Union nuts
  - Flare adapters
- Pneumatic actuation & options:
  - Single or double acting
  - Limit switches
  - Solenoids
  - Positioners
  - Travel stops
  - Manual override

## Cv Value:

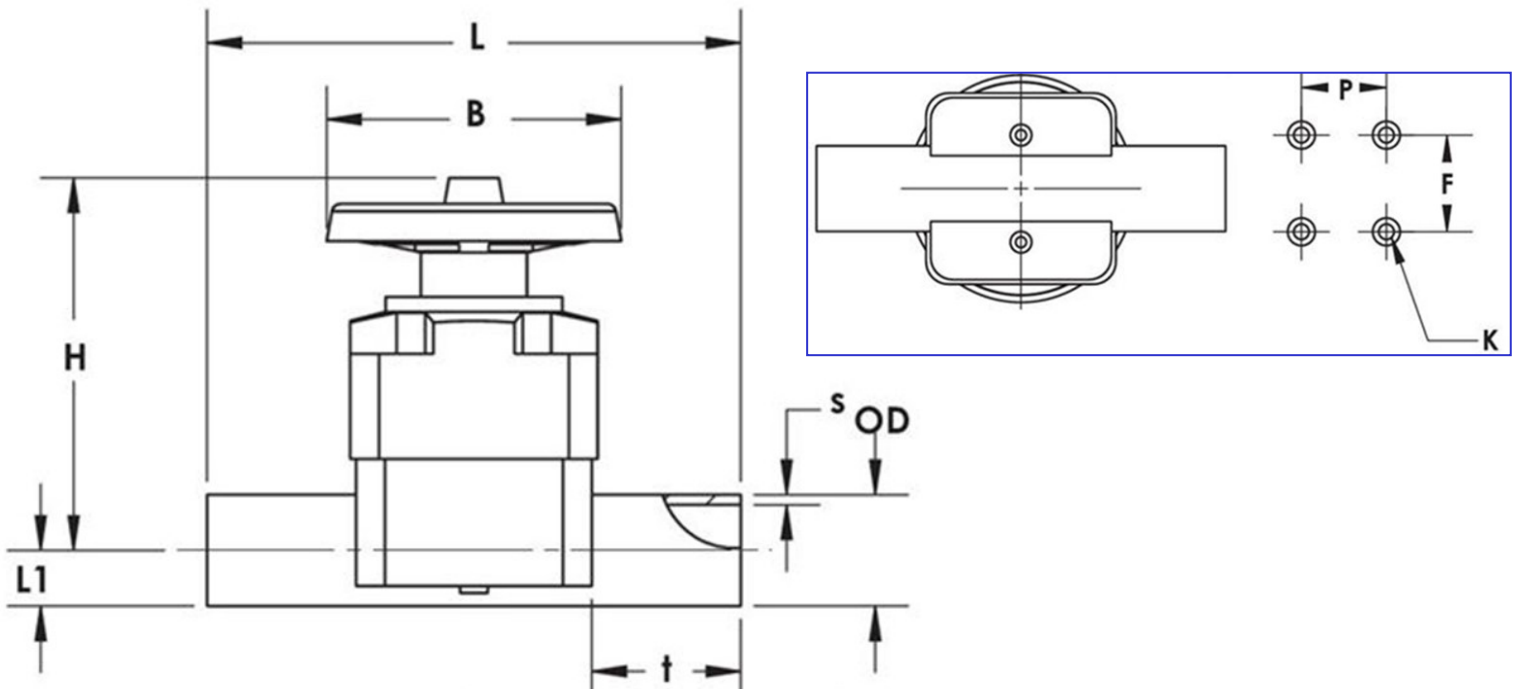
(100% Open)

mm	inch	Cv
20	1/2	5.0
25	3/4	6.5
32	1	15.3
40	1-1/4	31.2
50	1-1/2	34.7
63	2	60.7
75	2-1/2	83.6
90	3	94.3
110	4	260.1

## Flow Characteristics:



## Dimensions:



Size		L (in)	t (in)	h (in)	B (in)	K	L1 (in)	F (in)	P(in)	Weight (lbs)
mm	in									
20	1/2	5.24	1.42	3.94	3.35	M6	0.65	0.96	-	1.0
25	3/4	5.67	1.42	3.94	3.35	M6	0.65	0.96	-	1.1
32	1	6.06	1.42	4.21	3.35	M6	0.81	0.96	-	1.6
40	1-1/4	7.60	1.88	5.67	5.31	M8	1.00	1.01	-	3.4
50	1-1/2	7.64	1.90	5.67	5.31	M8	1.26	1.26	-	3.7
63	2	8.82	2.13	6.69	5.31	M8	1.52	1.52	-	5.3
75	2-1/2	11.18	1.46	10.00	9.21	M12	0.98	9.06	-	12.7
90	3	12.20	1.46	10.00	9.21	M12	0.98	9.06	-	12.8
110	4	13.39	1.97	12.60	9.21	M12	0.79	11.02	3.35	23.7

## Pressure vs. Temperature:

(psi, water, non-shock)

Temp.	PVDF	PP
68 F	150	150
104 F	123	102
140 F	94	58
176 F	73	22
212 F	50	-

## Sample Specification:

1/2" through 4" (20mm through 110mm) valves shall be Type-342 style from the (Purad®, PolyPure®, PP-Pure®) high purity resin. Valve bodies are to be unibody, molded design with a full 150psi pressure rating at 68°F. Diaphragm material is to be (EPDM-backed PTFE, EPDM). All metal nuts and bolts must be capped or covered to reduce metal exposure. Top works must include integral lockout device on the handle and position indicator. Valves to be shipped cleaned and double-bagged.