



SPEED HANDLE™



Plasgear™ **SPEED HANDLE™**
1-1/2" - 16" Gear Operator for
Type-57/ 57IL/ 57LIS/ 56 & Pool-Pro® Butterfly Valves



241- SPEED HANDLE™

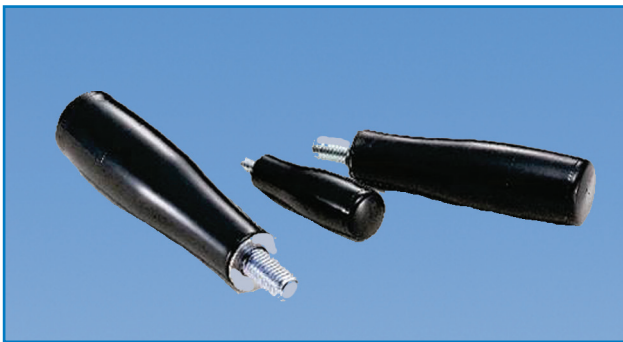


243- SPEED HANDLE™

Plasgear™ **SPEED HANDLE™** Kits

- Designed to fit Plasgear™ operated butterfly valves
- Butterfly valves sizes 1-1/2" – 16"
- Sold in "kit" form consisting of Plasgear™ hand wheel and grip
- Available in both red and blue for Type-241 and Type-243 Plasgear™
- PPG hand wheel, nylon 6 (black) grip, SS400 chromate treated M10 bolt and SS M10 hex nut
- Available as a field installable kit or as an accessory adder to a current valve order

The **SPEED HANDLE™** is an accessory adder to the Plasgear™ gear-operator for butterfly valves. The revolving grip permits faster, single handed revolutions of the hand wheel for quicker valve actuation.



Ideal Applications

- Aquariums
- Landfills
- Chemical processing
- Mining

**Another
Corrosion
Problem
Solved.™**



Butterfly Valve SPEED HANDLE™ Kits				
Valve Size	Plasgear™ SPEED HANDLE™ Kit	Red Handle	Blue Handle	List Price
		Part Number	Part Number	
1-1/2" - 10"	Plasgear™ hand wheel with SPEED HANDLE™	3700105	3700205	See price book for updated pricing
12" - 16"	Plasgear™ hand wheel with SPEED HANDLE™	3700165	3700265	
Discount Code		C		

Note: **SPEED HANDLE™** mounted to red or blue Plasgear™ hand wheel



241 - SPEED HANDLE™

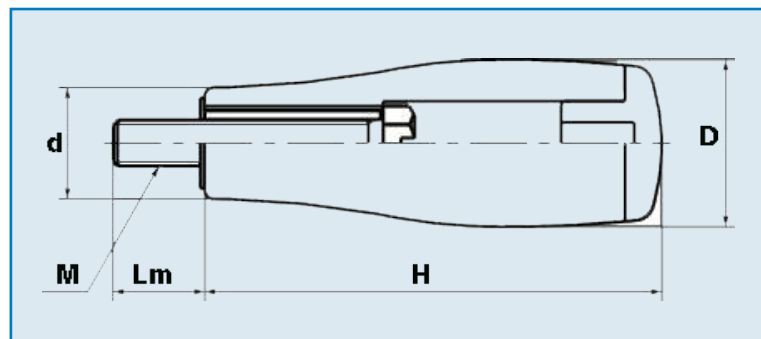


243 - SPEED HANDLE™

Butterfly Valve SPEED HANDLE™ Adder to Complete Valve			
Valve Size	Plasgear™ SPEED HANDLE™ Kit	Part Number	List Price
1-1/2" - 16"	SPEED HANDLE™ Adder	1000330	See price book for updated pricing
Discount Code		C	

Note: **SPEED HANDLE™** adder to current purchase valve

SPEED HANDLE™ Grip Dimensions (in.)



Part Number	Description	D	M	Lm	d	H	Weight
100300	SPEED HANDLE™ Grip	1.10	M10	0.787	0.787	3.75	3.03 oz.