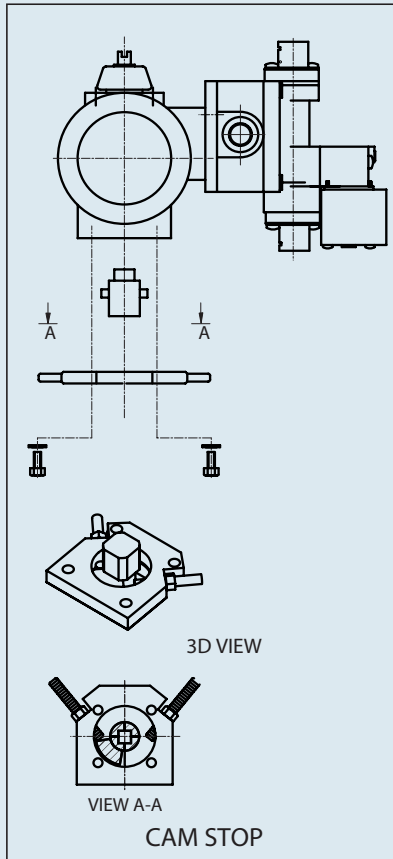
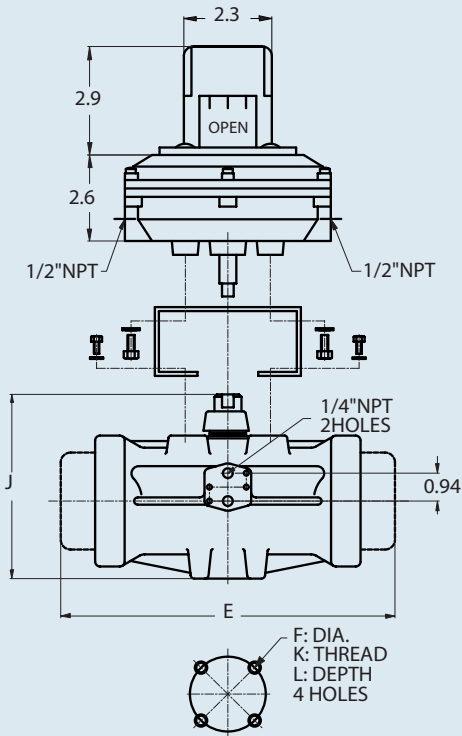
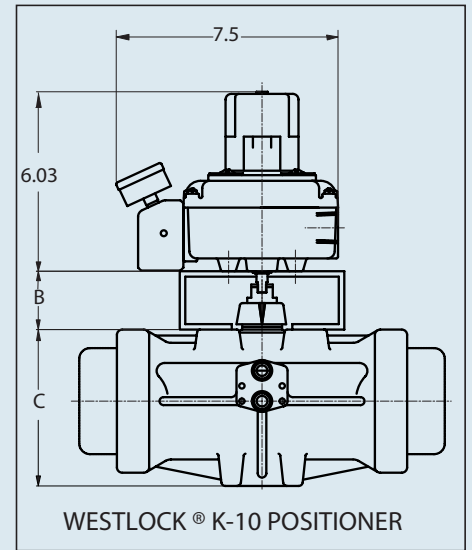
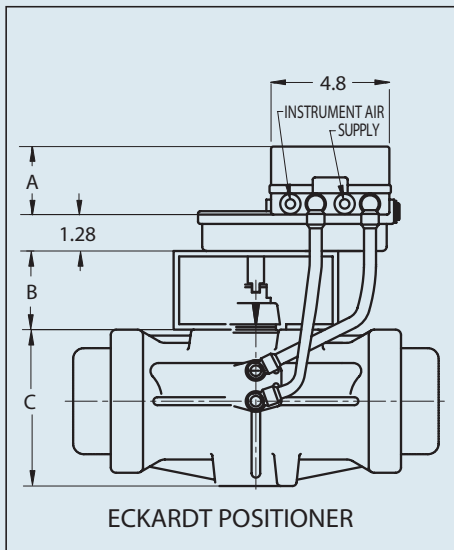
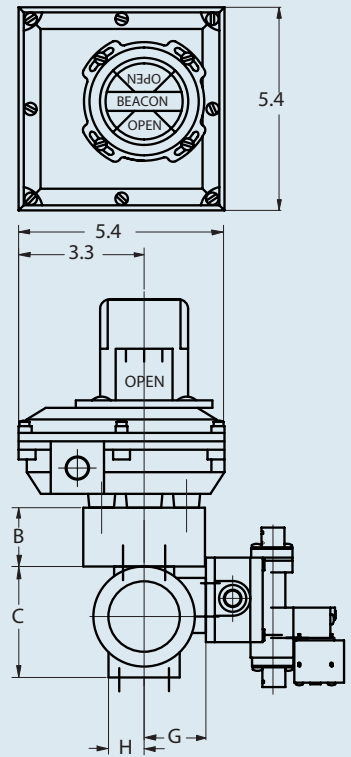


# Pneumatic Actuator and Options

SWITCH ASSEMBLY



SWITCH ASSEMBLY WITH SOLENOID



**Dimensions (INCHES)**  
ACTUATOR WITH LIMIT SWITCH

| ACTUATOR SIZE | E    |      | F    | H     | G    | J    | K    | L    |     |     |
|---------------|------|------|------|-------|------|------|------|------|-----|-----|
|               | B    | C    |      |       |      |      |      |      |     |     |
| AP79P         | 1.75 | 2.56 | 4.22 | 5.55  | 1.65 | 1.21 | 1.48 | 3.34 | 6mm | .16 |
| BP79P         | 2.16 | 3.14 | 4.92 | 5.86  | 1.97 | 1.41 | 1.73 | 4.40 | 6mm | .50 |
| CP79P         | 2.16 | 3.81 | 7.00 | 8.74  | 2.76 | 1.85 | 1.96 | 5.00 | 8mm | .62 |
| DP79P         | 2.16 | 5.15 | 9.21 | 11.49 | 2.76 | 2.36 | 2.55 | 6.49 | 8mm | .75 |

**Dimensions (INCHES)**  
ACTUATOR WITH POSITIONER

| ACTUATOR SIZE | E    |      | A    |       |
|---------------|------|------|------|-------|
|               | B    | C    | A-A  | A-S   |
| AP79P         | 1.75 | 2.56 | 4.22 | 5.55  |
| BP79P         | 2.16 | 3.14 | 4.92 | 5.86  |
| CP79P         | 2.16 | 3.81 | 7.00 | 8.74  |
| DP79P         | 2.16 | 5.15 | 9.21 | 11.49 |

**Air CONSUMPTION**

| MODEL NO. | Cubic Inches |
|-----------|--------------|
| AP79P     | 6.0          |
| BP79P     | 9.0          |
| CP79P     | 19.5         |
| DP79P     | 52.0         |