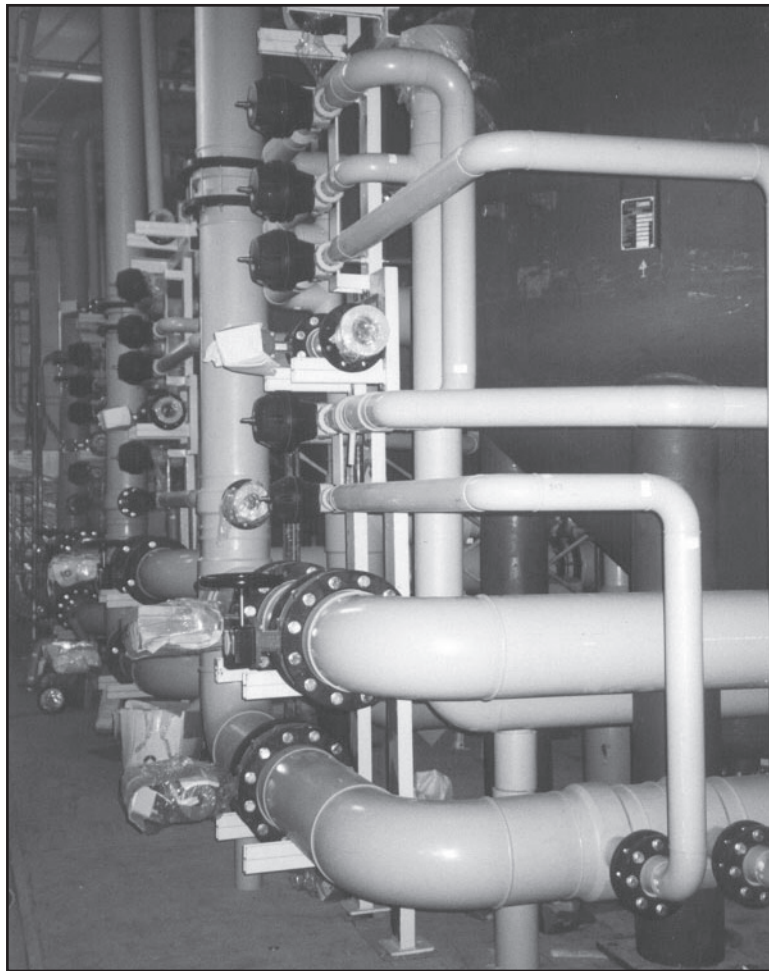


# Proline® PP Single Wall Piping System



Certified to  
NSF/ANSI 61-G



Proline®

# Proline®

Pigmented Polypropylene (PP)

Chemical Piping System

REV:IN0512PP

**Materials:** ASTM D4101 Group 2, Class 1 pigmented polypropylene random copolymer resin 16" (400mm) and under. Resin shall comply with FDA Code of Federal Regulators (CFR), Title 21, Chapter 1: Section 177.1520 determining suitability for contact with foodstuff.

Pipe and fittings are certified to NSF 61-G.

**Pipe Production:** Dimensions and tolerances shall exceed ISO 15494 requirement.

**Fitting Production:** Dimensions and tolerances shall exceed ISO 15494 requirement. Fittings shall be molded with a central injection gate.

**Pressure Rating:** Components shall be pressure rated in accordance with ASTM D2837 and DIN 8077 for hydrostatic design basis. Components shall be manufactured to standard dimensional ratio (SDR) 11, 17, 33 and others upon request.

Based on continuous service life of 50 years at 68° F (20° C). Below pressure ratings are pressure reduced for general chemical use, contact Asahi America for pressure ratings of specific chemicals.

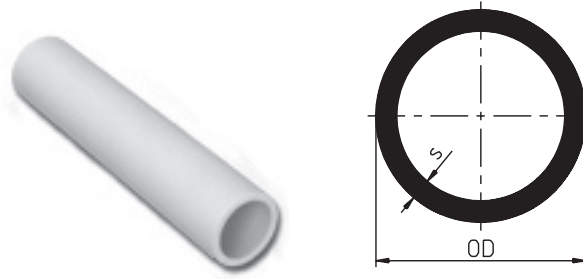
SDR11: Chemical-150psi (PN10), Water- 225psi

SDR17: Chemical- 90psi (PN6), Water- 109psi

SDR33: Chemical- 45psi (PN3), Water- 57psi

PN = Nominal pressure in bar.

**Joining:** Available methods shall be according to the schedule below  
 DVS 2208-1 Socket: 1/2" (20mm) through 4" (110mm)  
 DVS 2207-11 Contact Butt: 1/2" (20mm) through max product size

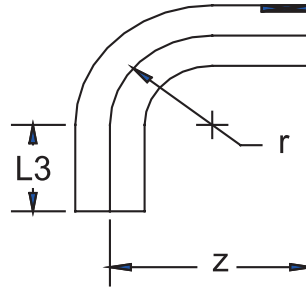


**PIPE** 5 meter (16.4') lengths

Size		Dimensions			SDR 11 / PN 10 / 150 PSI	Dimensions		SDR 33 / PN 3 / 45 PSI
mm	inch	OD	s	Weight (lbs/lth)	Part Number	s	Weight (lbs/lth)	Part Number
20	1/2	0.787	0.098	1.21	5001005	-	-	-
25	3/4	0.984	0.106	1.76	5001007	-	-	-
32	1	1.260	0.114	2.87	5001010	-	-	-
40	1-1/4	1.575	0.146	4.52	5001012	-	-	-
50	1-1/2	1.968	0.181	7.05	5001015	-	-	-
63	2	2.480	0.228	11.13	5001020	-	-	-
75	2-1/2	2.953	0.268	15.43	5001025	-	-	-
90	3	3.543	0.323	22.38	5001030	0.110	8.38	5103030
110	4	4.330	0.394	33.18	5001040	0.134	12.74	5103040
125	4-1/2	4.921	0.449	43.1	5001045*	0.154	15.98	5103045*
140	5	5.512	0.500	53.68	5001050*	0.169	19.62	5103050*
160	6	6.300	0.575	70.44	5001060	0.193	25.57	5103060
180	7	7.087	0.646	88.96	5001070*	0.217	32.41	5103070*
200	8	7.874	0.717	109.68	5001080	0.244	40.23	5103080
225	9	8.858	0.807	138.78	5001090*	0.272	50.38	5103090*
250	10	9.842	0.894	170.64	5001100	0.303	62.50	5103100
280	11	11.024	1.000	213.85	5001110*	0.339	78.15	5103110*
315	12	12.402	1.126	270.62	5001120	0.382	98.88	5103120
355	14	13.976	1.268	343.50	5001140	0.429	124.56	5103140
400	16	15.748	1.429	435.41	5001160	0.484	158.73	5103160
450	18	17.716	1.610	552.26	5001180	0.543	200.62	5103180
500	20	19.685	1.787	681.23	5001200	0.602	245.82	5103200
560	22	-	-	-	-	0.677	309.80	5103220
630	24	24.803	-	-	-	0.760	391.32	5103240

\*NON STANDARD STOCK.  
Diameter is metric. Inch size provided as nominal only.

Proline®  
PRO45/PRO150 BUTT

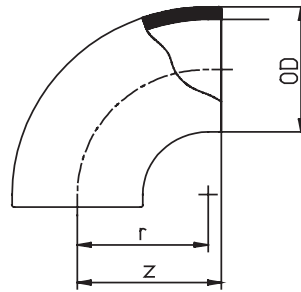


## EXTENDED LEG 90 DEGREE ELBOW

Size		Dimensions			SDR 11 / PN 10 / 150 PSI	
mm	inch	L3	r	z	Weight (lbs)	Part Number
20	1/2	1.57	0.79	2.36	0.03	5007005
25	3/4	1.67	0.98	2.70	0.05	5007007
32	1	1.85	1.26	3.11	0.09	5007010
40	1-1/4	2.05	1.58	3.64	0.16	5007012
50	1-1/2	2.30	1.97	4.27	0.29	5007015
63	2	2.62	2.48	5.10	0.55	5007020
75	2-1/2	2.95	2.95	5.91	0.88	5007025
90	3	2.99	3.54	6.61	1.44	5007030
110	4	3.23	4.33	7.56	2.40	5007040
125	4-1/2	3.62	4.92	8.58	3.56	5007045*
140	5	3.94	5.51	9.49	4.94	5007050*
160	6	3.96	6.30	10.30	6.97	5007060
180	7	4.29	7.09	11.44	9.57	5007070*
200	8	4.67	7.87	12.54	12.79	5007080
225	9	4.92	8.86	13.90	17.73	5007090*
250	10	5.24	9.84	15.31	21.74	5007100
280	11	5.63	11.02	16.90	29.89	5007110*
315	12	6.22	12.40	18.70	43.70	5007120

\*NON STANDARD STOCK.

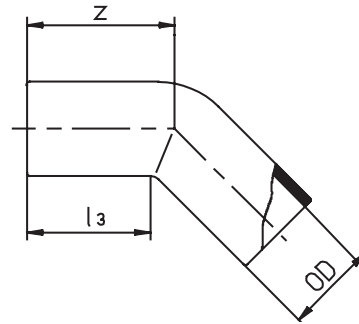
Proline®  
PRO45/PRO150 BUTT



**90 DEGREE ELBOW**

Size		Dimensions		SDR 11 / PN 10 / 150 PSI		Dimensions		SDR 33 / PN 3 / 45 PSI	
mm	inch	r	z	Weight (lbs)	Part Number	r	z	Weight (lbs)	Part Number
110	4	-	-	-	-	4.33	4.72	0.55	5105040
160	6	-	-	-	-	6.11	6.97	1.63	5105060
200	8	-	-	-	-	7.87	8.66	2.95	5105080
250	10	9.84	11.42	15.65	5004100	10.44	11.42	6.13	5105100
280	11	10.43	11.42	19.67	5004110	10.44	11.42	7.94	5105110
315	12	12.40	13.39	30.16	5004120	11.82	13.39	10.93	5105120
355	14	13.98	13.39	38.27	5004140	11.82	13.39	14.24	5105140
400	16	15.75	13.74	49.03	5004160	11.82	13.58	18.12	5105160
450	18	17.72	17.68	79.72	5004180	15.75	17.52	31.26	5105180
500	20	19.69	17.68	95.77	5004200	15.75	17.52	37.88	5105200

Proline®  
PRO45/PRO150 BUTT

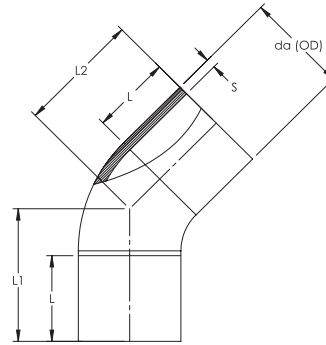


## 45 DEGREE EXTENDED LEG ELBOW

Size		Dimensions		SDR 11 / PN 10 / 150 PSI	
mm	inch	l3	z	Weight (lbs)	Part Number
20	1/2	1.54	1.73	0.02	5008005
25	3/4	1.65	1.89	0.04	5008007
32	1	1.93	2.24	0.07	5008010
40	1-1/4	2.09	2.48	0.11	5008012
50	1-1/2	2.24	2.76	0.22	5008015
63	2	2.52	3.15	0.37	5008020
75	2-1/2	2.76	3.54	0.57	5008025
90	3	3.23	4.09	0.95	5008030
110	4	3.23	4.25	1.46	5008040
125	4-1/2	3.92	5.22	2.20	5008045*
140	5	3.94	5.35	2.95	5008050*
160	6	4.59	6.16	4.32	5008060
180	7	5.18	6.95	6.26	5008070*
200	8	4.80	6.77	7.58	5008080
225	9	4.94	7.19	10.14	5008090*
250	10	6.22	8.54	14.90	5008100
280	11	6.61	9.37	19.71	5008110*
315	12	6.97	9.88	26.46	5008120

\*NON STANDARD STOCK

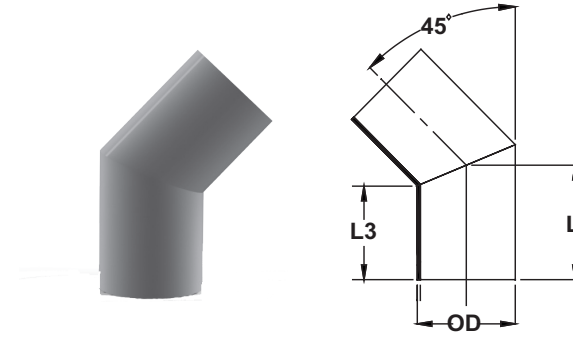
Proline®  
 PRO45/PRO150 BUTT



**FABRICATED 45 DEGREE ELBOW (FROM MOLDED 90)**

PRO150						
Size		Dimensions				SDR 11 / PN 10 / 150 PSI
mm	in	L	L1	L2	Weight (lbs)	Part Number
355	14	11.81	18.27	16.69	60.41	5074140
400	16	11.81	18.46	16.69	76.5	5074160
450	18	11.81	20.12	18.35	105.38	5074180
500	20	11.81	20.12	18.35	130.73	5074200
PRO45						
Size		Dimensions				SDR 33 / PN 3 / 45 PSI
mm	in	L	L1	L2	Weight (lbs)	Part Number
110	4	11.81	14.02	13.62	1.75	5154040
160	6	11.81	15.31	14.33	3.88	5154060
200	8	11.81	15.87	15.08	6.31	5154080
250	10	11.81	16.26	15.47	10.52	5154100
315	12	11.81	18.27	16.69	16.34	5154120
355	14	11.81	18.27	16.69	27.34	5154140
400	16	11.81	18.46	16.69	27.11	5154160
450	18	11.81	20.12	18.35	39.9	5154180

Proline® PRO45/PRO150 BUTT



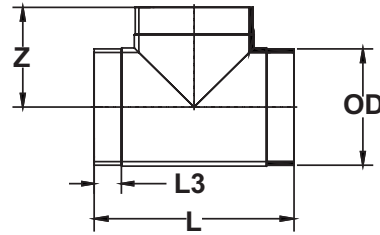
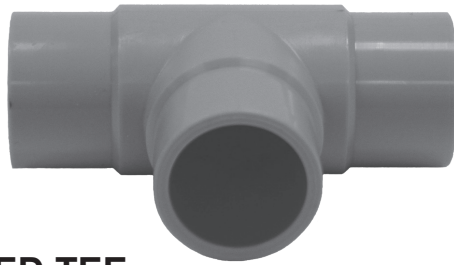
**SEGMENTED\* 45 DEGREE ELBOW**

PRO150					
Size		Dimensions			SDR 11 / PN 6 / 90 PSI
mm	inch	L3	L	Weight (lbs)	Part Number
355	14	7.10	10.00	42.28	5070140
400	16	8.75	12.00	53.67	5070160
PRO45					
Size		Dimensions			SDR 33 / PN 2 / 30 PSI
mm	inch	L3	L	Weight (lbs)	Part Number
110	4	4.10	5.00	0.75	5153040
160	6	4.75	6.00	1.56	5153060
200	8	4.38	6.00	2.45	5153080
250	10	4.00	6.00	3.81	5153100
315	12	5.50	8.00	20.77	5153120
355	14	7.10	10.00	26.14	5153140
400	16	8.75	12.00	33.34	5153160
450	18	10.33	14.00	28.54	5153180
500	20	11.92	16.00	39.97	5153200

\*Segmented fittings fabricated from pipe.

Proline®  
 PRO45/PRO150 BUTT

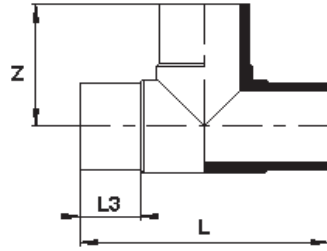
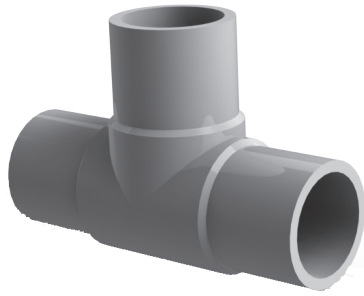




**MOLDED TEE**

PRO150						
Size		Dimensions			SDR 11 / PN 10 / 150 PSI	
mm	inch	Z	L	L3	Weight (lbs)	Part Number
20	1/2	1.34	2.68	0.69	0.02	5011005
25	3/4	1.57	3.15	0.81	0.04	5011007
32	1	1.77	3.54	0.81	0.09	5011010
40	1-1/4	1.97	3.94	0.81	0.13	5011012
50	1-1/2	2.36	4.72	0.91	0.24	5011015
63	2	2.83	5.67	0.98	0.49	5011020
75	2-1/2	2.95	5.98	0.59	0.86	5011025
90	3	4.13	8.39	1.50	1.52	5011030
110	4	4.80	9.96	2.01	2.65	5011040
125	4-1/2	5.51	11.02	2.05	3.74	5011045
140	5	5.98	12.01	2.09	5.24	5011050
160	6	6.81	13.62	2.24	7.23	5011060
180	7	7.32	14.65	2.24	9.66	511070
200	8	7.97	15.94	2.24	13.18	5011080
225	9	8.76	17.52	2.24	18.08	5011090
250	10	9.25	18.50	2.83	23.94	5011100
280	11	10.63	21.26	3.15	34.40	5011110
315	12	10.83	21.65	3.15	42.15	5011120
355	14	13.58	27.17	4.13	67.55	5011140
400	16	13.98	27.56	4.06	83.69	5011160
450	18	17.72	35.23	5.12	138.89	5011180
500	20	17.72	35.28	5.12	156.53	5011200
PRO45						
Size		Dimensions			SDR 33 / PN 3 / 45 PSI	
mm	inch	L3	L	Z	Weight (lbs)	Part Number
110	4	1.38	9.96	4.29	0.99	5109040
160	6	2.24	13.62	6.81	3.75	5109060
180	7	2.24	14.65	7.32	5.20	5109070
200	8	2.24	15.94	7.97	6.92	5109080
250	10	2.76	18.70	9.33	13.44	5109100
315	12	3.15	21.65	10.83	21.25	5109120
355	14	3.94	26.93	13.46	35.94	5109140
400	16	4.09	27.48	13.98	42.44	5109160
450	18	5.12	35.43	17.72	72.75	5109180
500	20	5.12	35.24	17.72	74.21	5109200

Proline® PRO45/PRO150 BUTT

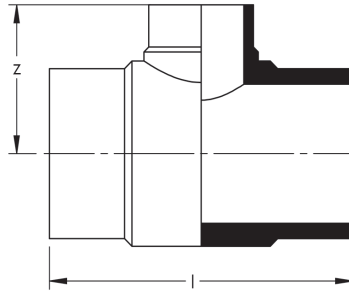


## EXTENDED LEG MOLDED TEE

Size		Dimensions			SDR 11 / PN 10 / 150 PSI	
mm	inch	L3	L	Z	Weight (lbs)	Part Number
20	1/2	2.36	4.29	1.46	0.07	5012005
25	3/4	2.70	4.61	1.57	0.09	5012007
32	1	3.11	5.67	1.77	0.13	5012010
40	1-1/4	3.64	6.61	2.01	0.24	5012012
50	1-1/2	4.27	7.44	2.24	0.42	5012015
63	2	5.10	9.02	2.60	0.82	5012020
75	2-1/2	5.91	10.24	2.80	1.34	5012025
90	3	6.61	11.42	3.23	2.09	5012030
110	4	7.56	12.60	3.39	3.35	5012040
125	4-1/2	8.58	13.90	3.62	4.67	5012045*
140	5	9.49	14.96	3.86	6.08	5012050*
160	6	10.30	16.06	3.94	8.86	5012060
180	7	11.44	20.79	5.43	14.68	5012070*
200	8	12.54	19.68	4.57	17.06	5012080
225	9	13.90	24.41	5.75	23.26	5012090*
250	10	12.09	24.80	5.83	31.83	5012100
280	11	13.23	27.32	6.30	44.80	5012110*
315	12	14.65	29.92	6.70	61.28	5012120

\*NON STANDARD STOCK

Proline®  
 PRO45/PRO150 BUTT

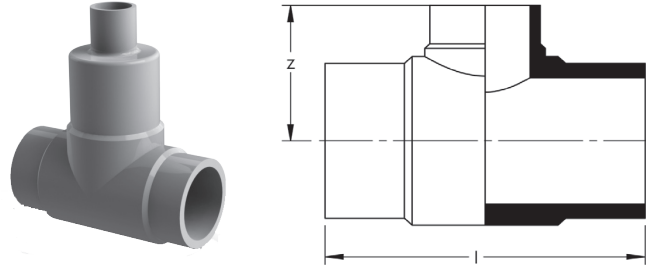


**REDUCING TEE**

Size		Dimensions		SDR 11 / PN 10 / 150 PSI	
mm	inch	l	z	Weight (lbs)	Part Number
63 x 50	2 x 1-1/2	8.66	4.06	0.67	5013251
75 X 32	2-1/2 X 1	10.08	4.06	1.10	5013289
75 X 50	2-1/2 X 1-1/2	9.96	4.45	1.17	5013291
75 X 63	2-1/2 X 2	10.24	4.61	1.19	5013292
90 x 32	3 x 1*	8.39	3.35	1.23	5013336
90 x 50	3 x 1-1/2*	8.39	3.54	1.23	5013337
90 x 63	3 x 2	10.83	5.39	1.65	5013338
90 x 75	3 x 2-1/2	10.94	5.43	1.68	5013339
110 x 32	4 x 1*	9.60	3.70	2.00	5013401
110 x 50	4 x 1-1/2*	9.60	4.06	2.09	5013415
110 x 63	4 x 2	12.40	6.26	2.67	5013420
110 x 75	4 x 2-1/2	12.40	6.18	2.60	5013421
110 x 90	4 x 3	12.40	6.10	2.69	5013422
160 x 63	6 x 2	13.66	6.89	5.67	5013530
160 x 75	6 x 2-1/2	13.70	7.05	5.78	5013529
160 x 90	6 x 3	13.74	7.17	5.82	5013531
160 x 110	6 x 4	15.75	7.95	7.01	5013532
180 x 110	7 X 4	18.26	8.86	10.14	5013540
200 x 63	8 x 2	21.65	8.86	14.79	5013581
200 x 90	8 x 3	22.05	8.94	14.82	5013582
200 x 110	8 x 4	22.01	9.65	15.52	5013583
200 x 160	8 x 6	21.65	10.43	18.39	5013585
225 x 90	9 X 3	17.95	8.90	14.68	5013604
225 x 110	9 X 4	17.95	8.90	14.68	5013607
225 x 160	9 x 6*	19.61	9.84	18.17	5013606
225 x 180	9 X 7	21.97	11.02	20.29	5013609
250 x 110	10 x 4	17.72	7.76	16.98	5013626
250 x 160	10 x 6	18.27	8.62	17.73	5013627
250 x 200	10 X 8	24.80	11.57	31.00	5013628
315 x 110	12 x 4	21.85	11.42	33.69	5013658
315 x 160	12 x 6	23.03	12.40	36.60	5013659
315 x 225	12 x 9	25.59	13.19	45.37	5013670
315 x 250	12 x 10	26.77	13.39	48.15	5013673

\*Fittings are short spigot style

Proline® PRO45/PRO150 BUTT



### FABRICATED REDUCING TEE

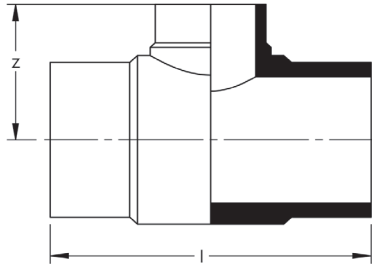
Size		Dimensions		PRO150 x PRO150 SDR11	PRO45 x PRO150 SDR33 x 11	PRO45 x PRO45 SDR 33
mm	inch	L	Z	Part Number	Part Number	Part Number
50 20	1-1/2 x 1/2	4.72	5.31	5034208	N/A	N/A
50 X 25	1-1/2 x 3/4	4.72	5.31	5034210	N/A	N/A
50 X 32	1-1/2 x 1	4.72	5.31	5034211	N/A	N/A
63 x 20	2 x 1/2	5.67	5.83	5034246	N/A	N/A
63 x 25	2 x 3/4	5.67	5.83	5034248	N/A	N/A
63 x 32	2 x 1	5.67	5.83	5034249	N/A	N/A
63 x 40	2 x 1-1/4	5.67	5.83	5034250	N/A	N/A
63 x 50	2 x 1-1/2	5.67	5.83	5034251	N/A	N/A
90 x 20	3 x 1/2	8.39	7.13	5034332	N/A	N/A
90 x 25	3 x 3/4	8.39	7.13	5034333	N/A	N/A
90 x 32	3 x 1	8.39	7.13	5034336	N/A	N/A
90 x 40	3 x 1-1/4	8.39	7.13	5034335	N/A	N/A
90 x 50	3 x 1-1/2	8.39	7.13	5034337	N/A	N/A
90 x 63	3 x 2	8.39	7.13	5034338	N/A	N/A
110 x 20	4 x 1/2	9.96	7.80	5034399	5134399	N/A
110 x 25	4 x 3/4	9.96	7.80	5034404	5134404	N/A
110 x 32	4 x 1	9.96	7.80	5034401	5134401	N/A
110 x 40	4 x 1-1/4	9.96	7.80	5034412	5134412	N/A
110 x 50	4 x 1-1/2	9.96	7.80	5034415	5134415	N/A
110 x 63	4 x 2	9.96	7.80	5034420	5134420	5114420
110 x 90	4 x 3	9.96	7.80	5034422	5134422	5114422
160 x 20	6 x 1/2	13.62	9.81	5034512	5134512	N/A
160 x 25	6 x 3/4	13.62	9.81	5034514	5134514	N/A
160 x 32	6 x 1	13.62	9.81	5034516	5134516	N/A
160 x 40	6 x 1-1/4	13.62	9.81	5034519	5134519	N/A
160 x 50	6 x 1-1/2	13.62	9.81	5034523	5134523	N/A
160 x 63	6 x 2	13.62	9.81	5034530	5134530	5114530
160 x 90	6 x 3	13.62	9.81	5034531	5134531	5114531
160 x 110	6 x 4	13.62	9.81	5034532	5134532	5114532

Proline®  
 PRO45/PRO150 BUTT

\*NON STANDARD STOCK

www.asahi-america.com • asahi@asahi-america.com • Tel: (800) 343-3618, (781) 321-5409

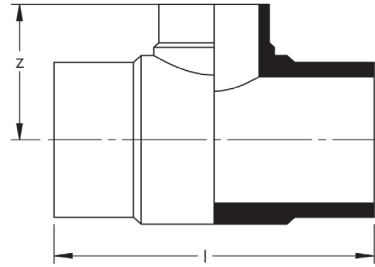
**ASAHI/AMERICA**



**FABRICATED REDUCING TEE**

Size		Dimensions		PRO150 x PRO150 SDR11	PRO45 x PRO150 SDR33 x 11	PRO45 x PRO45 SDR 33
mm	inch	L	Z	Part Number	Part Number	Part Number
200 x 20	8 x 1/2	15.94	10.97	5034569	5134569	N/A
200 x 25	8 x 3/4	15.94	10.97	5034570	5134570	N/A
200 x 32	8 x 1	15.94	10.97	5034571	5134571	N/A
200 x 40	8 x 1-1/4	15.94	10.97	5034565	5134565	N/A
200 x 50	8 x 1-1/2	15.94	10.97	5034580	5134580	N/A
200 x 63	8 x 2	15.94	10.97	5034581	5134581	5114581
200 x 90	8 x 3	15.94	10.97	5034582	5134582	5114582
200 x 110	8 x 4	15.94	10.97	5034583	5134583	5114583
200 x 160	8 x 6	15.94	10.97	5034585	5134585	5114585
225 x 160	9 x 6	17.52	11.76	5034606*	5134606*	5114606*
250 x 20	10 x 1/2	18.50	12.25	5034621	5134621	N/A
250 x 25	10 x 3/4	18.50	12.25	5034622	5134622	N/A
250 x 32	10 x 1	18.50	12.25	5034623	5134623	N/A
250 x 40	10 x 1-1/4	18.50	12.25	5034617	5134617	N/A
250 x 50	10 x 1-1/2	18.50	12.25	5034618	5134618	N/A
250 x 63	10 x 2	18.50	12.25	5034624	5134624	5114624
250 x 90	10 x 3	18.50	12.25	5034625	5134625	5114625
250 x 110	10 x 4	18.50	12.25	5034626	5134626	5114626
250 x 160	10 x 6	18.50	12.25	5034627	5134627	5114627
250 x 200	10 x 8	18.50	12.25	5034628	5134628	5114628

Proline®  
PRO45/PRO150 BUTT

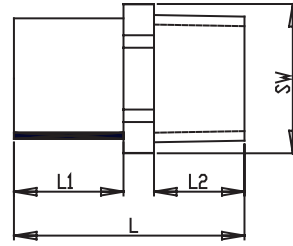
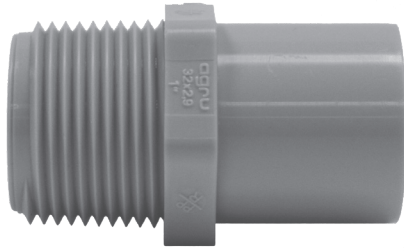


### FABRICATED REDUCING TEE (Continued)

Size		Dimensions		PRO150 x PRO150 SDR11	PRO45 x PRO150 SDR33 x 11	PRO45 x PRO45 SDR 33
mm	inch	L	Z	Part Number	Part Number	Part Number
315 x 20	12 x 1/2	21.65	13.83	5034651	5134651	N/A
315 x 25	12 x 3/4	21.65	13.83	5034652	5134652	N/A
315 x 32	12 x 1	21.65	13.83	5034653	5134653	N/A
315 x 40	12 x 1-1/4	21.65	13.83	5034654	5134654	N/A
315 x 50	12 x 1-1/2	21.65	13.83	5034655	5134655	N/A
315 x 63	12 x 2	21.65	13.83	5034656	5134656	5114656
315 x 90	12 x 3	21.65	13.83	5034657	5134657	5114657
315 x 110	12 x 4	21.65	13.83	5034658	5134658	5114658
315 x 160	12 x 6	21.65	13.83	5034659	5134659	5114659
315 x 200	12 x 8	21.65	13.83	5034660	5134660	5114660
315 x 250	12 x 10	21.65	13.83	5034673	5134673	5114673
355 x 20	14 x 1/2	27.17	16.58	5034692	5134692	N/A
355 x 25	14 x 3/4	27.17	16.58	5034693	5134693	N/A
355 x 32	14 x 1	27.17	16.58	5034694	5134694	N/A
355 x 40	14 x 1-1/4	27.17	16.58	5034695	5134695	N/A
355 x 50	14 x 1-1/2	27.17	16.58	5034696	5134696	N/A
355 x 63	14 x 2	27.17	16.58	5034697	5134697	5114697
355 x 90	14 x 3	27.17	16.58	5034698	5134698	5114698
355 x 110	14 x 4	27.17	16.58	5034699	5134699	5114699
355 x 160	14 x 6	27.17	16.58	5034700	5134700	5114700
355 x 200	14 x 8	27.17	16.58	5034701	5134701	5114701
355 x 250	14 x 10	27.17	16.58	5034702	5134702	5114702
355 x 315	14 x 12	27.17	16.58	5034705	5134705	5114705
400 x 63	16 x 2	27.56	16.98	5034722	5134722	5114722
400 x 90	16 x 3	27.56	16.98	5034723	5134723	5114723
400 x 110	16 x 4	27.56	16.98	5034714	5134714	5114714
400 x 160	16 x 6	27.56	16.98	5034715	5134715	5114715
400 x 200	16 x 8	27.56	16.98	5034716	5134716	5114716
400 x 250	16 x 10	27.56	16.98	5034719	5134719	5114719
400 x 315	16 x 12	27.56	16.98	5034721	5134721	5114721
400 x 355	16 x 14	27.56	16.98	5034724	5134724	5114724

Consult Asahi/America for operating pressures

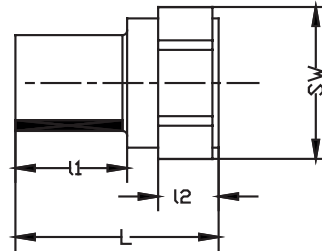
Proline®  
PRO45/PRO150 BUTT



**MALE ADAPTER**

Size		Dimensions					SDR 11 / PN 10 / 150 PSI	
mm	inch	L	L1	L2	SW	NPT-Thread	Weight (lbs)	Part Number
20	1/2	1.81	0.75	0.71	0.87	1/2"	0.02	5028005
25	3/4	2.01	0.87	0.79	1.06	3/4"	0.02	5028007
32	1	2.40	1.10	0.94	1.42	1"	0.07	5028010
40	1-1/4	2.60	1.14	1.02	1.81	1 1/4"	0.09	5028012
50	1-1/2	2.91	1.26	1.10	2.17	1 1/2"	0.13	5028015
63	2	3.15	1.38	1.22	2.56	2"	0.20	5028020
90	3 *	4.00	1.00	1.63	3.54	3"	0.41	5028030
110	4 *	4.00	1.00	1.73	4.50	4"	0.64	5028040

Rated at 5psi and machined.

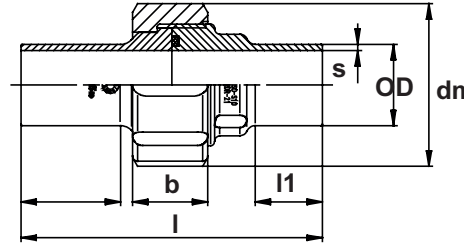


**FEMALE ADAPTER**

Size		Dimensions					SDR 11 / PN 10 / 150 PSI	
mm	inch	L	L1	L2	SW	NPT-Thread	Weight (lbs)	Part Number
20	1/2	1.77	0.83	0.63	1.26	1/2"	0.03	5030005
25	3/4	1.97	0.98	0.67	1.61	3/4"	0.05	5030007
32	1	2.28	1.18	0.79	1.81	1"	0.08	5030010
40	1-1/4	2.44	1.18	0.94	2.17	1 1/4"	0.13	5030012
50	1-1/2	2.68	1.34	0.94	2.76	1 1/2"	0.21	5030015
63	2	2.95	1.42	1.10	3.35	2"	0.33	5030020
90	3 *	4.00	1.63	2.37	4.30	3"	0.64	5030030
110	4 *	4.00	1.73	2.27	5.43	4"	0.81	5030040

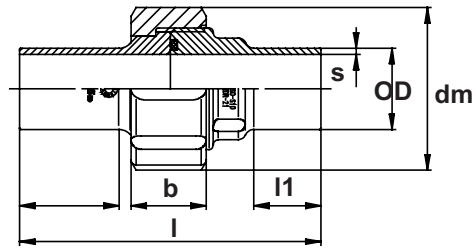
Rated at 5psi and machined.

Proline® PRO45/PRO150 BUTT



**UNION - FKM**

Size		Dimensions					SDR 11 / PN 10 / 150 PSI	
mm	inch	s	l	l1	dm	b	Weight (lbs)	Part Number
20	1/2	0.098	4.21	0.94	1.85	0.94	0.11	5017005
25	3/4	0.106	4.40	0.94	2.24	1.02	0.18	5017007
32	1	0.114	4.69	0.98	2.52	1.18	0.24	5017010
40	1-1/4	0.146	4.92	0.98	3.07	1.22	0.37	5017012
50	1-1/2	0.181	5.12	0.98	3.50	1.38	0.53	5017015
63	2	0.228	5.35	0.98	4.29	1.54	0.86	5017020
75	2-1/2	0.268	5.20	1.10	5.12	1.57	1.31	5017025
90	3	0.323	5.24	1.40	5.12	1.57	1.34	5017030



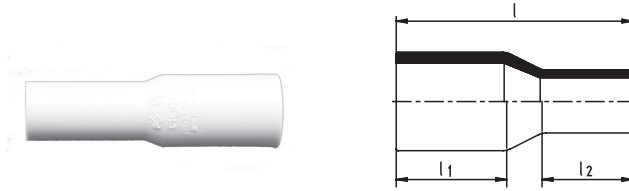
**UNION - EPDM\***

Size		Dimensions					SDR 11 / PN 10 / 150 PSI	
mm	inch	s	l	l1	dm	b	Weight (lbs)	Part Number
20	1/2	0.098	4.21	0.94	1.85	0.94	0.11	5015005
25	3/4	0.106	4.40	0.94	2.24	1.02	0.18	5015007
32	1	0.114	4.69	0.98	2.52	1.18	0.24	5015010
40	1-1/4	0.146	4.92	0.98	3.07	1.22	0.37	5015012
50	1-1/2	0.181	5.12	0.98	3.50	1.38	0.53	5015015
63	2	0.228	5.35	0.98	4.29	1.54	0.86	5015020
90	3	0.323	5.24	1.40	5.12	1.57	1.34	5015030

\*NON STANDARD STOCK

Proline®  
PRO45/PRO150 BUTT



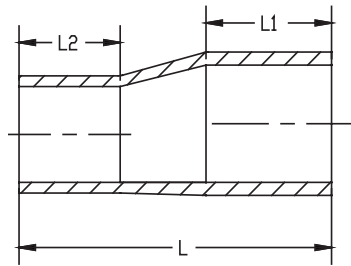


**EXTENDED LEG CONCENTRIC REDUCER**

Size		Description			SDR 11 / PN 10 / 150 PSI	
mm	inch	l1	l2	l	Weight (lbs)	Part Number
25 x 20	3/4 x 1/2	1.57	1.61	3.43	0.02	5038101
32 x 20	1 x 1/2	1.69	1.54	3.62	0.04	5038130
32 x 25	1 x 3/4	1.73	1.54	3.62	0.04	5038131
40 x 20	1-1/4 x 1/2	1.89	1.54	4.02	0.09	5038166
40 x 25	1-1/4 x 3/4	1.89	1.54	4.02	0.09	5038167
40 x 32	1-1/4 x 1	1.89	1.77	4.02	0.09	5038168
50 x 25	1-1/2 x 3/4	2.17	1.73	4.65	0.11	5038210
50 x 32	1-1/2 x 1	2.32	1.81	4.65	0.13	5038211
50 x 40	1-1/2 x 1-1/4	2.24	1.93	4.96	0.15	5038212
63 x 25	2 x 3/4	2.20	1.93	4.96	0.16	5038248
63 x 32	2 x 1	2.52	1.93	5.35	0.22	5038249
63 x 40	2 x 1-1/4	2.32	1.97	5.04	0.22	5038250
63 x 50	2 x 1-1/2	2.60	2.32	5.91	0.29	5038251
75 x 50	2-1/2 x 1-1/2	2.52	2.28	5.83	0.35	5038291
75 x 63	2-1/2 x 2	2.56	2.32	5.87	0.42	5038292
90 x 63	3 x 2	2.83	2.36	6.18	0.55	5038338
90 x 75	3 x 2-1/2	2.95	2.48	6.42	0.62	5038339
110 x 63	4 x 2	3.27	2.48	7.09	0.88	5038420
110 x 90	4 x 3	3.27	2.95	7.09	1.08	5038422
125 X 63	4-1/2 X 2	3.43	2.40	7.36	1.17	5038426
125 X 90	4-1/2 X 3	3.46	2.95	7.48	1.34	5038427
125 x 110	4-1/2 x 4	3.50	3.23	7.87	1.54	5038428
140 X 110	5 X 4	1.38	1.10	3.94	0.37	5038466
140 X 125	5 X 4-1/2	3.74	3.54	8.46	2.07	5038505
160 x 90	6 x 3	4.02	2.91	8.74	2.20	5038531
160 x 110	6 x 4	3.86	3.46	8.86	2.47	5038532
160 x 150	6 x 5	3.98	3.78	9.02	2.87	5038533
180 X 110	7 X 4	1.77	1.77	6.18	2.21	5038540
180 X 160	7 x 6	5.16	4.25	10.87	4.41	5038543
200 x 160	8 x 6	4.41	4.02	9.92	4.76	5038585
225 X 160	9 x 6	5.04	3.98	10.63	4.81	5038606
250 X 160	10 x 6	6.10	4.45	12.48	8.55	5038627
250 X 200	10 x 8	6.10	4.92	12.36	9.26	5038628
250 X 225	10 x 9	6.02	5.24	12.40	10.01	5038629
280 X 250	11 x 10	6.50	6.10	13.98	13.71	5038647
315 X 200	12 x 8	7.09	5.28	14.96	15.70	5038660
315 X 225	12 X 9	3.15	2.17	8.15	9.44	5038670
315 X 250	12 x 10	6.69	6.10	14.76	17.11	5038673

Proline® PRO45/PRO150 BUTT

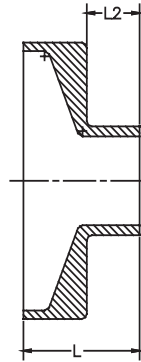
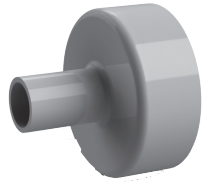
\*NON STANDARD STOCK



## ECCENTRIC REDUCER

Size		Dimensions			SDR 11 / PN 10 / 150 PSI	
mm	inch	L1	L2	L	Weight (lbs)	Part Number
25 x 20	3/4 x 1/2	2.00	1.50	4.05	0.04	5037101
40 x 25	1-1/4 x 3/4	2.36	1.57	4.96	0.10	5037167
40 x 32	1-1/4 x 1	2.32	1.73	4.92	0.09	5037168
50 x 32	1-1/2 x 1	2.80	1.77	6.14	0.14	5037211
50 x 40	1-1/2 x 1-1/4	2.80	1.93	6.18	0.16	5037212
63 x 32	2 x 1	2.95	1.77	6.97	0.21	5037249
63 x 40	2 x 1-1/4	2.99	1.93	6.97	0.23	5037250
63 x 50	2 x 1-1/2	2.99	2.20	6.97	0.29	5037251
75 x 50	2-1/2 x 1-1/2	3.30	2.24	7.76	0.35	5037291
75 x 63	2-1/2 x 2	3.26	2.48	7.76	0.41	5037292
90 x 63	3 x 2	3.62	2.52	8.39	0.58	5037338
90 x 75	3 x 2-1/2	3.15	2.76	8.78	0.63	5037339
110 x 63	4 x 2	3.90	2.48	9.72	0.92	5037420
110 x 90	4 x 3	3.89	3.11	9.60	1.07	5037422
125 x 63	4-1/2 x 2	4.13	2.48	10.55	1.73	5037426
125 x 90	4-1/2 x 3	4.17	3.11	10.43	1.89	5037427
125 x 110	4-1/2 x 4	4.06	3.43	10.24	2.04	5037428
160 x 90	6 x 3	4.63	3.11	12.17	2.25	5037531
160 x 110	6 x 4	4.55	3.43	12.17	2.57	5037532
180 x 90	7 x 3	5.06	3.11	13.70	4.67	5037544
180 x 125	7 x 4-1/2	5.33	3.66	13.90	5.25	5037541
180 x 160	7 x 6	5.33	4.09	13.90	5.91	5037543
200 x 160	8 x 6	5.45	4.09	14.68	4.98	5037585
225 X 160	9 x 6	6.08	4.04	15.94	9.26	5037606
225 x 180	9 x 7	6.08	4.37	15.87	9.79	5037609
225 x 200	9 x 8	6.12	4.96	15.87	10.19	5037611
250 x 200	10 x 8	7.09	4.72	17.34	13.27	5037628

Proline®  
 PRO45/PRO150 BUTT

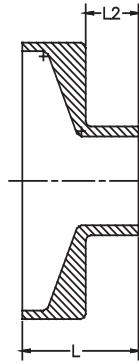
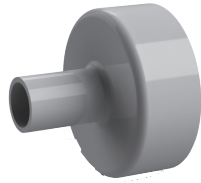


**MACHINED FLUSH REDUCER**

Size		Dimensions		PRO150 x PRO150 SDR11	PRO45 x PRO150 SDR33 x 11	PRO45 x PRO45 SDR 33
mm	inch	L	L2	Part Number	Part Number	Part Number
40 x 20	1-1/4 x 1/2	3.00	1.25	5032166	N/A	N/A
40 x 25	1-1/4 x 3/4	3.00	1.25	5032167	N/A	N/A
40 x 32	1-1/4 x 1	3.00	1.25	5032168	N/A	N/A
50 x 20	1-1/2 x 1/2	3.00	1.25	5032208	N/A	N/A
50 x 25	1-1/2 x 3/4	3.00	1.25	5032210	N/A	N/A
50 x 32	1-1/2 x 1	3.00	1.25	5032211	N/A	N/A
63 x 20	2 x 1/2	3.00	1.25	5032246	N/A	N/A
63 x 25	2 x 3/4	3.00	1.25	5032248	N/A	N/A
63 x 32	2 x 1	3.00	1.25	5032249	N/A	N/A
63 x 40	2 x 1-1/4	3.00	1.25	5032250	N/A	N/A
63 x 50	2 x 1-1/2	3.00	1.25	5032251	N/A	N/A
90 x 20	3 x 1/2	3.00	1.25	5032332	N/A	N/A
90 x 25	3 x 3/4	3.00	1.25	5032333	N/A	N/A
90 x 32	3 x 1	3.00	1.25	5032336	N/A	N/A
90 x 40	3 x 1-1/4	3.00	1.25	5032335	N/A	N/A
90 x 50	3 x 1-1/2	3.00	1.25	5032337	N/A	N/A
90 x 63	3 x 2	3.00	1.25	5032338*	N/A	N/A
110 x 20	4 x 1/2	3.00	1.25	5032399	5132399	N/A
110 x 25	4 x 3/4	3.00	1.25	5032404	5132404	N/A
110 x 32	4 x 1	3.00	1.25	5032401	5132401	N/A
110 x 40	4 x 1-1/4	3.00	1.25	5032412	5132412	N/A
110 x 50	4 x 1-1/2	3.00	1.25	5032415	5132415	N/A
110 x 63	4 x 2	3.00	1.25	5032420*	5132420	5115420
110 X 75	4 X 2-1/2	3/00	1.25	5032421	5132421	-
110 x 90	4 x 3	3.00	1.25	5032422*	5132422	5115422

\* Available as molded.  
Consult Asahi/America for operating pressures.

Proline® PRO45/PRO150 BUTT

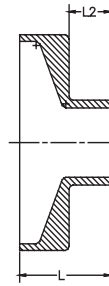
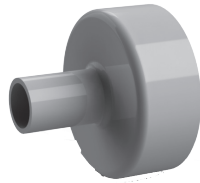


## MACHINED FLUSH REDUCER

Size		Dimensions		PRO150 x PRO150 SDR11	PRO45 x PRO150 SDR33 x 11	PRO45 x PRO45 SDR 33
mm	inch	L	L2	Part Number	Part Number	Part Number
160 x 20	6 x 1/2	3.00	1.25	5032512	5132512	-
160 x 25	6 x 3/4	3.00	1.25	5032514	5132514	-
160 x 32	6 x 1	3.00	1.25	5032516	5132516	-
160 x 40	6 x 1-1/4	3.00	1.25	5032519	5132519	-
160 x 50	6 x 1-1/2	3.00	1.25	5032523	5132523	-
160 x 63	6 x 2	3.00	1.25	5032530	5132530	5115530
160 x 90	6 x 3	3.00	1.25	5032531	5132531	5115531
160 x 110	6 x 4	3.00	1.25	5032532	5132532	5115532
200 x 20	8 x 1/2	3.00	1.25	5032569	5132569	-
200 x 25	8 x 3/4	3.00	1.25	5032570	5132570	-
200 x 32	8 x 1	3.00	1.25	5032571	5132571	-
200 x 40	8 x 1-1/4	3.00	1.25	5032565	5132565	-
200 x 50	8 x 1-1/2	3.00	1.25	5032580	5132580	-
200 x 63	8 x 2	3.00	1.25	5032581	5132581	5115581
200 x 90	8 x 3	3.00	1.25	5032532	5132532	5115582
200 x 110	8 x 4	3.00	1.25	5032583	5132583	5115583
200 x 160	8 x 6	3.00	1.25	5032585	5132585	5115585
225 x 160	9 x 6	3.00	1.25	5032606	5132606	5115606
250 x 20	10 x 1/2	3.00	1.25	5032621	5132621	
250 x 25	10 x 3/4	3.00	1.25	5032622	5132622	
250 x 32	10 x 1	3.00	1.25	5032623	5132623	
250 x 40	10 x 1-1/4	3.00	1.25	5032617	5132617	
250 x 50	10 x 1-1/2	3.00	1.25	5032618	5132618	
250 x 63	10 x 2	3.00	1.25	5032624	5132624	5115624
250 x 90	10 x 3	3.00	1.25	5032625	5132625	5115625
250 x 110	10 x 4	3.00	1.25	5032626	5132626	5115626
250 x 160	10 x 6	3.00	1.25	5032627	5132627	5115627
250 x 200	10 x 8	3.00	1.25	5032628	5132628	5115628
250 x 225	10 x 9	3.00	1.25	5032629	5132629	5115629

\* Available as molded.  
Consult Asahi/America for operating pressures.

Proline®  
PRO45/PRO150 BUTT



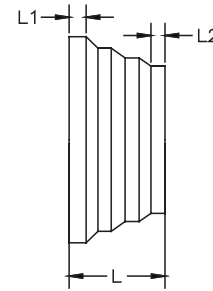
**MACHINED FLUSH REDUCER (Continued)**

Size		Dimensions		PRO150 x PRO150 SDR11	PRO45 x PRO150 SDR33 x 11	PRO45 x PRO45 SDR 33
mm	inch	L	L2	Part Number	Part Number	Part Number
315 x 20	12 x 1/2	3.00	1.25	5032651	5132651	-
315 x 25	12 x 3/4	3.00	1.25	5032652	5132652	-
315 x 32	12 x 1	3.00	1.25	5032653	5132653	-
315 x 40	12 x 1-1/4	3.00	1.25	5032654	5132654	-
315 x 50	12 x 1-1/2	3.00	1.25	5032655	5132655	-
315 x 63	12 x 2	3.00	1.25	5032656	5132656	5115656
315 x 90	12 x 3	3.00	1.25	5032657	5132657	5115657
315 x 110	12 x 4	3.00	1.25	5032658	5132658	5115658
315 x 160	12 x 6	3.00	1.25	5032659	5132659	5115659
315 x 200	12 x 8	3.00	1.25	5032660	5132660	5115660
315 x 250	12 x 10	3.00	1.25	5032673	5132673	5115673
355 x 20	14 x 1/2	3.00	1.25	5032692	5132692	-
355 x 25	14 x 3/4	3.00	1.25	5032693	5132693	-
355 x 32	14 x 1	3.00	1.25	5032694	5132694	-
355 x 40	14 x 1-1/4	3.00	1.25	5032695	5132695	-
355 x 50	14 x 1-1/2	3.00	1.25	5032696	5132696	-
355 x 63	14 x 2	3.00	1.25	5032697	5132697	5115697
355 x 90	14 x 3	3.00	1.25	5032698	5132698	5115698
355 x 110	14 x 4	3.00	1.25	5032699	5132699	5115699
355 x 160	14 x 6	3.00	1.25	5032700	5132700	5115700
355 x 200	14 x 8	3.00	1.25	5032701	5132701	5115701
355 x 250	14 x 10	3.00	1.25	5032702	5132702	5115702
355 x 315	14 x 12	3.00	1.25	5032705	5132705	5115705
400 x 63	16 x 2	3.00	1.25	5032722	5132722	5115722
400 x 90	16 x 3	3.00	1.25	5032723	5132723	5115723
400 x 110	16 x 4	3.00	1.25	5032714	5132714	5115714
400 x 160	16 x 6	3.00	1.25	5032715	5132715	5115715
400 x 200	16 x 8	3.00	1.25	5032716	5132716	5115716
400 x 250	16 x 10	3.00	1.25	5032719	5132719	5115719
400 x 315	16 x 12	3.00	1.25	5032721	5132721	5115721
400 x 355	16 x 14	3.00	1.25	5032724	5132724	5115724
450 X 160	18 x 6	3.00	1.25	5032707	5132707	-
450 X 315	18 x 12	3.00	1.25	5032711	5132711	-
450 X 355	18 x 14	3.00	1.25	5032712	5132712	-
450 X 400	18 x 16	3.00	1.25	5032713	5132713	-
500 X 450	20 x 18	3.00	1.25	5032734	5132734	-

\* Available as molded.

Consult Asahi/America for operating pressures.

Proline®  
PRO45/PRO150 BUTT

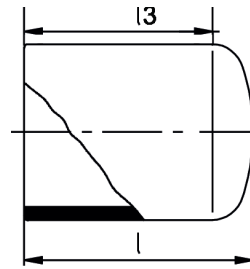


**STEPPED CONCENTRIC REDUCER\***

PRO150						
Size		Dimensions				SDR 11 / PN 10 / 150 PSI
mm	inch	L	L1	L2	Weight (lbs)	Part Number
63 x 16	2 x 3/8	3.82	0.39	0.31	0.09	5035247
110 x 63	4 x 2	2.44	0.35	0.24	0.31	5035420
160 x 110	6 x 4	3.27	0.51	0.51	0.93	5035532
225 x 160	9 x 6	3.54	0.71	0.55	2.07	5035606
315 x 225	12 x 9	5.12	0.98	0.79	6.00	5035670
450 x 315	18 x 12	6.69	1.06	0.79	16.79	5035711
PRO45						
Size		Dimensions				SDR 33 / PN 3.2 / 45 PSI
mm	inch	L	L1	L2	Weight (lbs)	Part Number
110 x 63	4 x 2	2.44	0.35	0.24	0.13	5116420
160 x 110	6 x 4	3.27	0.51	0.51	0.35	5116532
225 x 160	9 x 6	3.54	0.71	0.55	0.86	5116606
315 x 225	12 x 9	5.12	0.98	0.79	2.51	5116670
450 x 315	18 x 12	6.69	1.07	0.79	6.97	5116711
630 x 450	24 x 18	7.40	1.18	0.79	14.57	5116742

\*Stepped concentric reducers require use of flanged adapter in welding machine.

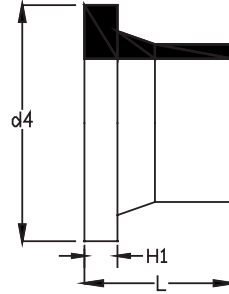
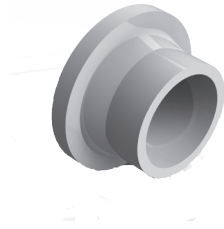
Proline®  
 PRO45/PRO150 BUTT



**EXTENDED LEG END CAP**

Size		Dimensions	SDR 11 / PN 10 / 150 PSI	
mm	inch	l	Weight (lbs)	Part Number
20	1/2	1.85	0.02	5021005
25	3/4	1.93	0.02	5021007
32	1	2.20	0.04	5021010
40	1-1/4	2.52	0.07	5021012
50	1-1/2	2.87	0.11	5021015
63	2	3.31	0.20	5021020
75	2-1/2	3.66	0.31	5021025
90	3	4.29	0.53	5021030
110	4	5.28	1.01	5021040
140	5	5.66	1.74	5021050
160	6	6.57	2.51	5021060
180	7	6.46	3.13	5021070
200	8	7.13	4.32	5021080
225	9	7.95	5.91	5201090
250	10	9.06	8.29	5021100
315	12	10.31	15.45	5021120

Proline®  
PRO45/PRO150 BUTT



**STUB END\* (FLANGE ADAPTER)**

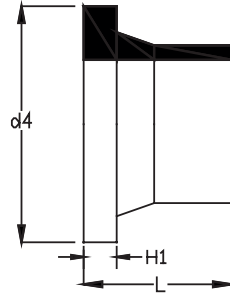
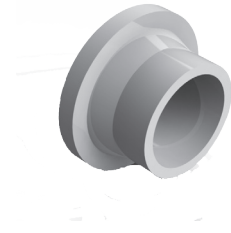
Size		Dimensions			SDR 11 / PN 10 / 150 PSI	
mm	inch	d4	L	H1	Weight (lbs)	Part Number
20	1/2	1.75	2.05	0.28	0.04	5018005
25	3/4	2.13	1.97	0.35	0.07	5018007
32	1	2.50	1.97	0.39	0.09	5018010
40	1-1/4	2.82	1.97	0.43	0.11	5018012
50	1-1/2	3.25	1.97	0.47	0.18	5018015
63	2	3.95	1.97	0.55	0.27	5018020
75	2-1/2	4.60	1.97	0.63	0.38	5018025
90	3	5.21	3.15	0.67	0.66	5018030
110	4	6.22	3.15	0.71	0.97	5018040
125	4-1/2	6.22	3.15	0.98	1.08	5018045
140	5	7.40	3.15	0.71	0.90	5018050
160	6	8.35	3.62	0.98	2.12	5018060
180	7	8.35	3.74	0.71	0.99	5018070
200	8	10.55	4.33	1.26	4.50	5018080
225	9	10.55	4.45	1.26	4.32	5018090
250	10	12.60	5.20	1.38	7.23	5018100
280	11	12.60	5.04	0.79	3.15	5018110
315	12	14.57	5.35	1.38	10.01	5018120
355	14	16.93	5.91	1.57	14.46	5018140
400	16	18.98	6.10	1.81	19.27	5018160
450	18	23.03	4.72	2.36	26.90	5018180
500	20	23.03	6.89	2.36	32.89	5018200

1/2" – 16" are ANSI style, 5", 7", 9", 11", 18" and 20" are DIN, and all are compatible with ANSI 150 backing rings.  
 4" – 16" are sold standard as chamfered for butterfly valves.

\*Requires backing ring. See page 282-284.

Proline®  
 PRO45/PRO150 BUTT





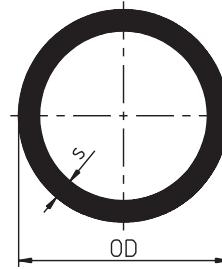
**STUB END\* (FLANGE ADAPTER)**

Size		Dimensions			SDR 33 / PN 3.2 / 45 PSI	
mm	inch	d4	L	H1	Weight (lbs)	Part Number
110	4	6.22	3.15	0.71	0.64	5120040
140	5	7.40	3.15	0.71	0.90	5120050
160	6	8.35	3.15	0.71	1.19	5120060
180	7	8.35	3.15	0.71	0.99	5120070
200	8	10.55	4.45	0.71	2.29	5120080
225	9	10.55	4.45	0.71	1.81	5120090
250	10	12.60	5.20	0.79	3.79	5120100
280	11	12.60	5.04	0.79	3.15	5120110
315	12	14.57	5.35	0.79	4.59	5120120
355	14	16.93	4.72	0.91	4.98	5120140
400	16	18.98	4.72	1.02	8.77	5120160
450	18	23.03	4.72	1.30	14.02	5120180
500	20	23.03	4.72	1.30	15.60	5120200
560	22	26.97	4.72	1.38	19.29	5120220
610	24	23.03	4.72	1.30	16.50	5120240

4" – 20" are DIN style, and all are compatible with ANSI 150 backing rings.

\*Requires backing ring. See page 282-284.

Proline®  
PRO45/PRO150 BUTT



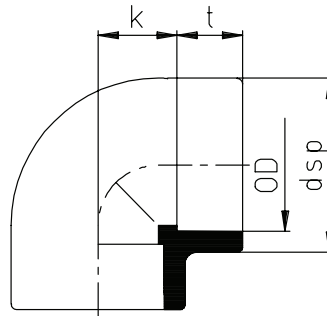
**PIPE\*** 5 meter (16.4') lengths

Size		Dimensions		SDR 11 / PN 10 / 150 PSI
mm	inch	s	Weight (lbs/lth)	Part Number
20	1/2	0.098	1.21	5001005
25	3/4	0.106	1.76	5001007
32	1	0.114	2.87	5001010
40	1-1/4	0.146	4.52	5001012
50	1-1/2	0.181	7.05	5001015
63	2	0.228	11.13	5001020
75	2-1/2	0.268	15.43	5001025
90	3	0.323	22.38	5001030
110	4	0.394	33.18	5001040

\*Pipe is sold in 5 meter lengths only (16.4').

**Socket Fusion requires the use of SDR 11, 150psi PP pipe in all dimensions**

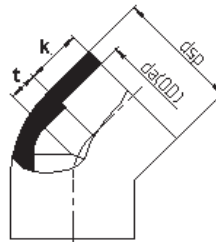
**Proline®**  
**PRO150 SOCKET**



**90 DEGREE ELBOW**

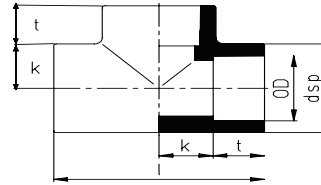
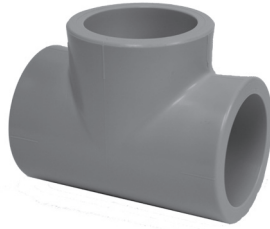
Size		Dimensions			SDR 11 / PN 10 / 150 PSI	
mm	inch	dsp	t	k	Weight (lbs)	Part Number
20	1/2	1.154	0.630	0.551	0.044	5094005
25	3/4	1.382	0.709	0.669	0.066	5094007
32	1	1.701	0.787	0.787	0.110	5094010
40	1-1/4	2.098	0.866	0.984	0.176	5094012
50	1-1/2	2.579	0.984	1.102	0.309	5094015
63	2	3.189	1.102	1.378	0.551	5094020
75	2-1/2	3.620	1.300	1.500	0.710	5094025
90	3	4.430	1.440	1.930	1.260	5094030
110	4	5.240	1.670	2.240	1.900	5094040

Proline® PRO150 SOCKET



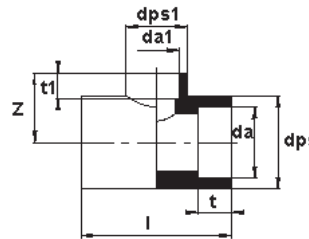
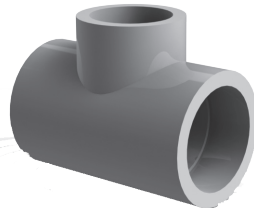
**45 DEGREE ELBOW**

Size		Dimensions			SDR 11 / PN 10 / 150 PSI	
mm	inch	dsp	t	k	Weight (lbs)	Part Number
20	1/2	1.181	0.630	0.433	0.044	5098005
25	3/4	1.378	0.709	0.551	0.066	5098007
32	1	1.693	0.787	0.669	0.088	5098010
40	1-1/4	2.087	0.866	0.827	0.154	5098012
50	1-1/2	2.559	0.945	1.024	0.221	5098015
63	2	3.189	1.142	1.299	0.397	5098020
75	2-1/2	3.620	1.280	1.520	0.710	5098025
90	3	4.450	1.420	1.810	1.260	5098030
110	4	5.310	1.690	2.200	1.900	5098040



**TEE**

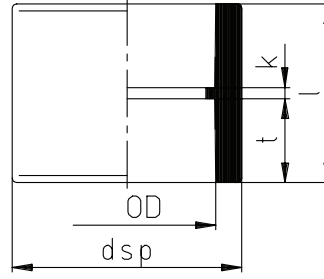
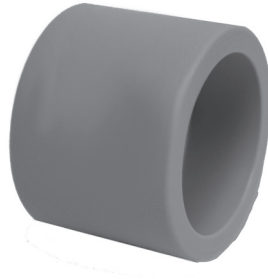
Size		Dimensions				SDR 11 / PN 10 / 150 PSI	
mm	inch	dsp	t	k	L	Weight (lbs)	Part Number
20	1/2	1.146	0.630	0.551	2.36	0.066	5091005
25	3/4	1.386	0.709	0.669	2.76	0.088	5091007
32	1	1.693	0.787	0.827	3.15	0.154	5091010
40	1 -1/4	2.087	0.866	0.984	3.62	0.221	5091012
50	1-1/2	2.559	0.945	1.181	4.23	0.397	5091015
63	2	3.189	1.142	1.437	5.12	0.662	5091020
75	2-1/2	3.660	1.220	1.520	6.08	0.970	5091025
90	3	4.490	1.460	2.010	7.32	1.830	5091030
110	4	5.280	1.730	2.240	8.31	2.430	5091040



**REDUCING TEE**

Size		Dimensions						SDR 11 / PN 10 / 150 PSI	
mm	inch	dsp	dsp1	t	t1	l	z	Weight (lbs)	Part Number
25 x 20	3/4 x 1/2	1.37	1.18	0.71	0.63	2.76	1.26	0.09	5093101
32 x 20	1 x 1/2	1.69	1.18	0.79	0.63	3.14	1.57	0.14	5093130
32 x 25	1 x 3/4	1.69	1.38	0.79	0.71	3.15	1.57	0.14	5093131
40 x 20	1-1/4 x 1/2	2.09	1.17	0.87	0.59	3.62	1.81	0.22	5093166
40 x 25	1-1/4 x 3/4	2.09	1.39	0.87	0.65	3.62	1.84	0.22	5093167
40 x 32	1-1/4 x 1	2.09	1.69	0.87	0.77	3.62	1.77	0.22	5093168
50 x 20	1-1/2 x 1/2	2.57	1.18	0.98	0.63	4.27	1.97	0.35	5093208
50 x 25	1-1/2 x 3/4	2.58	1.40	0.94	0.71	4.33	2.01	0.35	5093210
50 x 32	1-1/2 x 1	2.56	1.69	0.94	0.79	4.27	2.13	0.36	5093211
50 x 40	1-1/2 x 1-1/4	2.56	2.09	0.94	0.87	4.25	2.07	0.37	5093212
63 x 25	2 x 3/4	3.19	1.42	1.14	0.71	5.12	2.56	0.71	5093248
63 x 32	2 x 1	3.19	1.71	1.14	0.79	5.10	2.56	0.70	5093249
63 x 40	2 x 1-1/4	3.19	2.09	1.14	0.87	5.10	2.56	0.70	5093251
63 x 50	2 x 1-1/2	3.19	2.60	1.14	0.94	5.10	2.56	0.71	5093251

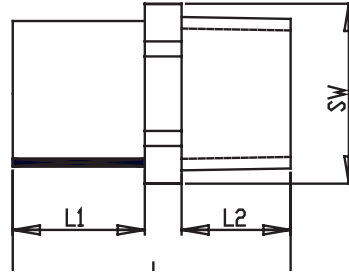
Proline®  
PRO150 SOCKET



**COUPLING**

Size		Dimensions				SDR 11 / PN 10 / 150 PSI	
mm	inch	l	dsp	t	k	Weight (lbs)	Part Number
20	1/2	1.378	1.157	0.630	0.118	0.022	5085005
25	3/4	1.535	1.382	0.709	0.118	0.044	5085007
32	1	1.693	1.701	0.787	0.118	0.066	5085010
40	1 -1/4	1.850	2.039	0.866	0.118	0.088	5085012
50	1-1/2	2.047	2.535	0.945	0.157	0.132	5085015
63	2	2.362	3.201	1.142	0.079	0.243	5085020
75	2-1/2	2.760	3.640	1.320	0.120	0.330	5085025
90	3	3.090	4.530	1.420	0.160	0.660	5085030
110	4	3.620	5.260	1.690	0.240	0.880	5085040

Proline®  
PRO150 SOCKET

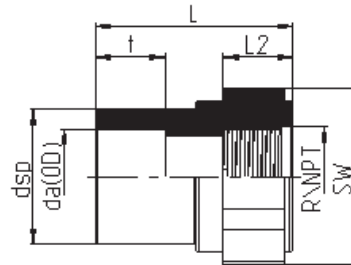


**MALE ADAPTER\* (BUTT)**

Size		Dimensions					SDR 11 / PN 10 / 150 PSI		
mm	inch	S	L	L1	L <sub>2</sub>	SW	NPT-Thread	Weight (lbs/pc)	Part Number
20	1/2	0.098	1.81	0.75	0.71	0.87	1/2"	0.02	5028005
25	3/4	0.106	2.01	0.87	0.79	1.06	3/4"	0.02	5028007
32	1	0.114	2.40	1.10	0.94	1.42	1"	0.07	5028010
40	1 -1/4	0.146	2.60	1.14	1.02	1.81	1-1/4"	0.09	5028012
50	1-1/2	0.181	2.91	1.26	1.10	2.17	1-1/2"	0.13	5028015
63	2	0.228	3.15	1.38	1.22	2.56	2"	0.20	5028020

\*Requires use of socket coupling page 76.

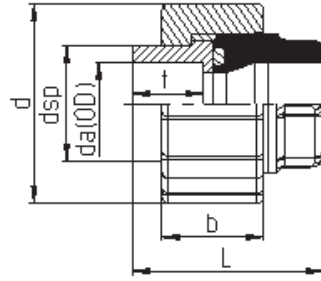
Butt fusion end. For socket welding use socket coupling.



**FEMALE ADAPTER**

Size		Dimensions					SDR 11 / PN 10 / 150 PSI		
mm	inch	L	L <sub>2</sub>	SW	dsp	t	Weight (lbs)	Part Number	
20	1/2	1.77	0.63	1.26	1.14	0.63	0.04	5084005	
25	3/4	1.99	0.71	1.61	1.38	0.71	0.07	5084007	
32	1	2.24	0.79	1.81	1.67	0.79	0.11	5084010	
40	1 -1/4	2.46	0.87	2.17	2.05	0.87	0.15	5084012	
50	1-1/2	2.68	1.02	2.76	2.52	0.94	0.22	5084015	
63	2	2.91	1.18	3.35	3.15	1.14	0.42	5084020	

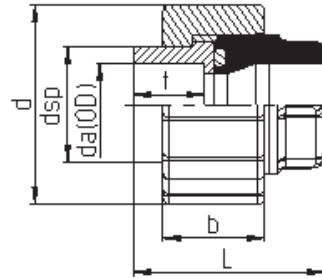
Proline®  
PRO150 SOCKET



**UNION - FKM**

Size		Dimensions					SDR 11 / PN 10 / 150 PSI	
mm	inch	L	d	b	dsp	t	Weight (lbs)	Part Number
20	1/2	1.772	1.850	0.945	1.075	0.630	0.040	5097005
25	3/4	1.929	2.244	1.024	1.406	0.709	0.060	5097007
32	1	2.087	2.520	1.181	1.626	0.787	0.080	5097010
40	1 -1/4	2.323	3.071	1.220	2.079	0.866	0.130	5097012
50	1-1/2	2.638	3.504	1.378	2.307	0.965	0.180	5097015
63	2	3.110	4.291	1.535	2.898	1.142	0.300	5097020

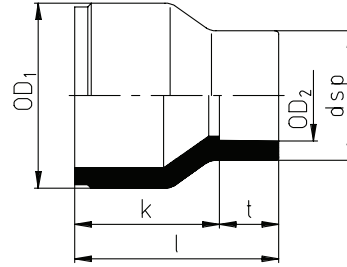
Proline® PRO150 SOCKET



**UNION - EPDM**

Size		Dimensions					SDR 11 / PN 10 / 150 PSI	
mm	inch	L	d	b	dsp	t	Weight (lbs)	Part Number
20	1/2	1.772	1.850	0.945	1.075	0.630	0.040	5092005
25	3/4	1.929	2.244	1.024	1.406	0.709	0.060	5092007
32	1	2.087	2.520	1.181	1.626	0.787	0.080	5092010
40	1 -1/4	2.323	3.071	1.220	2.079	0.866	0.130	5092012
50	1-1/2	2.638	3.504	1.378	2.307	0.965	0.180	5092015
63	2	3.110	4.291	1.535	2.898	1.142	0.300	5092020

\*EPDM unions are assembled and require additional lead time, non-returnable and non-cancellable

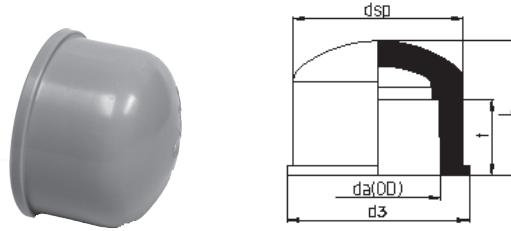


## CONCENTRIC REDUCER

Size		Dimensions			SDR 11 / PN 10 / 150 PSI	
mm	inch	l	k	t	Weight (lbs)	Part Number
25 x 20	3/4 x 1/2	1.18	0.63	1.54	0.022	5095101
32 x 20	1 x 1/2	1.18	0.63	1.79	0.044	5095130
32 x 25	1 x 3/4	1.38	0.71	1.77	0.044	5095131
40 x 20	1-1/4 x 1/2	1.16	0.63	1.97	0.044	5095166
40 x 25	1-1/4 x 3/4	1.36	0.71	1.97	0.044	5095167
40 x 32	1-1/4 x 1	1.69	0.79	1.97	0.066	5095168
50 x 20	1-1/2 x 1/2	1.16	0.63	2.17	0.066	5095208
50 x 25	1-1/2 x 3/4	1.37	0.71	2.17	0.066	5095210
50 x 32	1-1/2 x 1	1.72	0.79	2.17	0.088	5095211
50 x 40	1-1/2 x 1-1/4	2.08	0.87	2.17	0.110	5095212
63 x 25	2 x 3/4	1.37	0.71	2.56	0.132	5095248
63 x 32	2 x 1	1.69	0.79	2.56	0.132	5095249
63 x 40	2 x 1-1/4	2.08	0.87	2.56	0.154	5095250
63 x 50	2 x 1-1/2	2.55	0.94	2.56	0.154	5095251
75 x 63	2-1/2 x 2	3.21	1.14	2.52	0.24	5095292
90 x 63	3 x 2	3.18	1.14	3.46	0.42	5095338
90 x 75	3 x 2-1/2	3.66	1.26	3.41	0.42	5095339
110 x 63	4 x 2	3.20	1.14	3.54	0.57	5095420
110 x 90	4 x 3	4.48	1.46	3.49	0.64	5095422

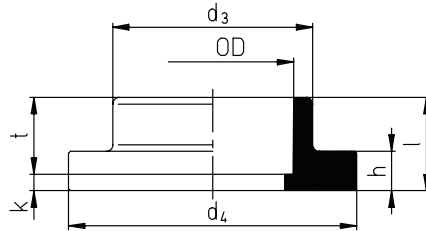
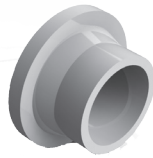
Large dimension is spigot end, small dimension is socket.





**END CAP**

Size		Dimensions				SDR 11 / PN 10 / 150 PSI	
mm	inch	L	d2	dsp	t	Weight (lbs)	Part Number
20	1/2	1.024	1.260	1.142	0.630	0.022	5081005
25	3/4	1.122	1.496	1.378	0.709	0.022	5081007
32	1	1.378	1.850	1.693	0.787	0.044	5081010
40	1-1/4	1.535	2.283	2.067	0.866	0.066	5081012
50	1-1/2	1.969	2.756	2.539	0.945	0.154	5081015
63	2	2.402	3.425	3.228	1.142	0.287	5081020
75	2-1/2	2.638	3.858	3.642	1.260	0.353	5081025
90	3	3.031	4.685	4.449	1.457	0.617	5081030
110	4	3.661	5.551	5.315	1.654	0.926	5081040

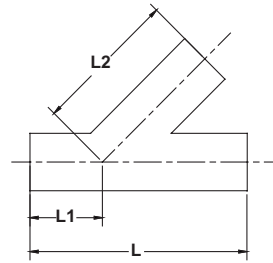


**STUB END\* (FLANGE ADAPTER)**

Size		Dimensions						SDR 11 / PN 10 / 150 PSI	
mm	inch	d3	d4	h	l	k	t	Weight (lbs)	Part Number
20	1/2	1.06	1.75	0.39	0.83	0.20	0.63	0.03	5055005
25	3/4	1.30	2.13	0.39	0.91	0.20	0.71	0.05	5055007
32	1	1.61	2.50	0.39	1.02	0.24	0.79	0.08	5055010
40	1-1/4	1.97	2.81	0.41	1.02	0.16	0.87	0.11	5055012
50	1-1/2	2.42	3.25	0.51	1.18	0.24	0.94	0.15	5055015
63	2	3.02	3.95	0.55	1.34	0.20	1.14	0.20	5055020
75	2-1/2	3.59	4.61	0.63	1.57	0.31	1.26	0.32	5055025
90	3	4.13	5.21	0.67	1.73	0.28	1.46	0.68	5055030
110	4	5.16	6.22	0.71	1.85	0.20	1.65	1.10	5055040

\*Requires backing ring. See page 282-284.

Proline® PRO150 SOCKET



**LATERAL**

Size		Dimensions			SDR 11 / MOP 5 PSI	Dimensions			SDR 33 / MOP 5 PSI
mm	inch	L1	L2	L	Part Number	L	L1	L2	Part Number
50	1-1/2	6	12	18	5051015	-	-	-	-
63	2	6	12	18	5051020	-	-	-	-
90	3	6	12	18	5051030	-	-	-	-
110	4	6	12	18	5051040	18	6	12	5128040
160	6	8	16	24	5051060	24	8	16	5128060
200	8	10	20	30	5051080	30	10	20	5128080
250	10	12	24	36	5051100	36	12	24	5128100
315	12	14	28	42	5051120	42	14	28	5128120
355	14	16	32	48	5051140	48	16	32	5128140
400	16	18	36	54	5051160	54	18	36	5128160

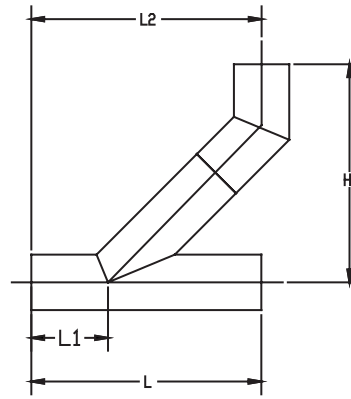
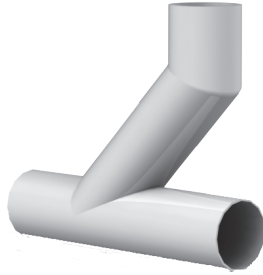
\*Please consult factory for pressure rating on fabricated fittings.

**LATERAL - Molded\***

Size		Dimensions			SDR 11 / MOP 150 PSI
mm	inch	L1	L2	L	Part Number
90	3	4.8	9.1	13.8	5052030
110	4	5.2	9.8	15	5052040
160	6	6.5	14.2	20.7	5052060

\* New product, please check for availability.

Proline®  
 PRO45/PRO150 FABRICATED



**LATERAL WITH 1/8 BEND**

Size		Dimensions				SDR 11 / MOP 5 PSI	Dimensions				SDR 33 / MOP 5 PSI
mm	inch	L	L1	L2	H	Part Number	L	L1	L2	H	Part Number
50	1-1/2	18	6	16.25	13	5062015	-	-	-	-	-
63	2	18	6	16.5	13.5	5062020	-	-	-	-	-
90	3	18	6	17.25	15.25	5062030	-	-	-	-	-
110	4	18	6	17.25	15.5	5062040	18	6	18	15.50	5137040
160	6	24	8	23.5	21.75	5062060	24	8	23.5	21.75	5137060
200	8	30	10	28.5	31.00	5062080	30	10	28.25	31.00	5137080
250	10	36	12	34.75	31.00	5062100	36	12	33	31.00	5137100
315	12	42	14	39.25	36.00	5062120	42	14	39.25	36.00	5137120
355	14	48	16	45.5	39.50	5062140	48	16	45.5	39.50	5137140
400	16	54	18	51.75	45.75	5062160	54	18	51.75	45.75	5137160

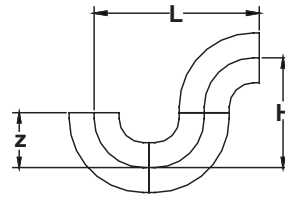
\*Please consult factory for pressure rating on fabricated fittings.

**LATERAL WITH 1/8 BEND- Molded\***

Size		Dimensions				SDR 11 / MOP 150 PSI
mm	inch	L	L1	L2	H	Part Number
90	3	13.8	4.8	14	13-3/8	5053030
110	4	15	5.2	15	14-1/8	5053040
160	6	20.7	6.6	20.75	20-1/2	5053060

\* New product, please check for availability.

Proline®  
PRO45/PRO150 FABRICATED

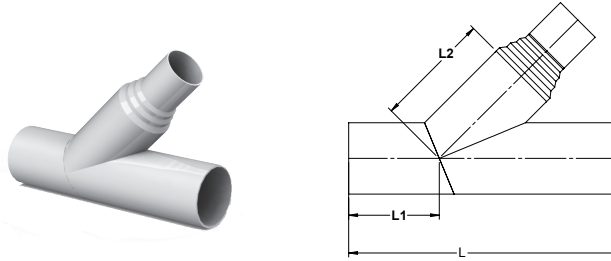


**P-TRAP**

Size		Dimensions			SDR 11 / PN 6 / 90 PSI	Dimensions			SDR 33 / PN 2 / 30 PSI
mm	inch	L	Z	H	Part Number	L	Z	H	Part Number
50	1-1/2	8.75	4-1/4	8.125	5064015	-	-	-	-
63	2	10.75	5.00	9.75	5064020	-	-	-	-
90	3	14.5	6-1/2	12.875	5064030	-	-	-	-
110	4	17.125	7-3/8	14.5	5064040	14	4.75	11.25	5139040
160	6	24	10	19.75	5064060	20.5	6.875	16.75	5139060
200	8	21.0	8.66	17.25	5064080	21.0	8.66	17.25	5139080
250	10	27.5	11.42	22.75	5064100	27.5	11.42	22.75	5139100
315	12	32.75	13.39	26.75	5064120	32.75	13.39	26.75	5139120
355	14	33.75	13.39	26.75	5064140	33.75	13.39	26.75	5139140
400	16	34.75	13.58	27.00	5064160	34.75	13.58	27.00	5139160
450	18	43.75	17.52	35.00	5064180	43.75	17.52	35.00	5139180
500	20	44.75	17.52	35.00	5064200	44.75	17.52	35.00	5139200

\*Please consult factory for pressure rating on fabricated fittings.

Proline®  
 PRO45/PRO150 FABRICATED



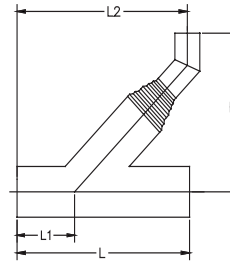
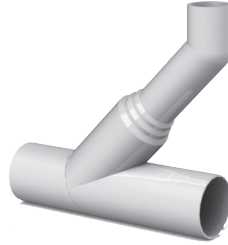
**FABRICATED REDUCING LATERALS**

Size		Dimensions			SDR 11 / MOP 5 PSI	SDR 33 / MOP 5 PSI
mm	inch	L	L1	L2	Part Number	Part Number
90 x 63	3 x 2	18	6	18	5054338	-
110 x 63	4 x 2	18	6	18	5054420	-
110 x 90	4 x 3	18	6	18	5054422	-
160 x 63	6 x 2	24	8	24	5054530	5130530*
160 x 90	6 x 3	24	8	24	5054531	5130531*
160 x 110	6 x 4	24	8	24	5054532	5130532
200 x 63	8 x 2	30	10	30	5054581	-
200 x 90	8 x 3	30	10	30	5054582	-
200 x 110	8 x 4	30	10	30	5054583	5130583
200 x 160	8 x 6	30	10	30	5054585	5130585
250 x 63	10 x 2	36	12	36	5054624	-
250 x 90	10 x 3	36	12	36	5054625	-
250 x 110	10 x 4	36	12	36	5054626	5130626
250 x 160	10 x 6	36	12	36	5054627	5130627
250 x 200	10 x 8	36	12	36	5054628	5130628
315 x 160	12 x 6	42	14	42	5054659	5130659
315 x 200	12 x 8	42	14	42	5054660	5130660

\*SDR33 reducing laterals with 2" and 3" branches are SDR11 branch connections.

**\*Please consult factory for pressure rating on fabricated fittings.**

Proline®  
PRO45/PRO150 FABRICATED

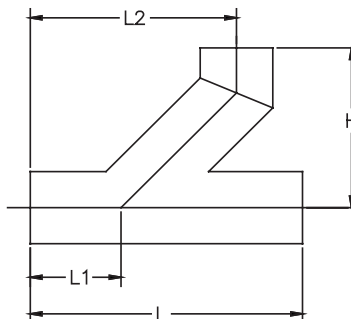


**FABRICATED REDUCING LATERAL WITH 1/8 BEND**

Size		Dimensions				SDR 11 / MOP 5 PSI	SDR 33 / MOP 5 PSI
mm	inch	L	L1	L2	H	Part Number	Part Number
90 x 63	3 x 2	18	6	12	16.00	5056338	-
110 x 63	4 x 2	18	6	12	16.50	5056420	-
110 x 90	4 x 3	18	6	12	17.25	5056422	-
160 x 63	6 x 2	24	8	16	19.00	5056530	-
160 x 90	6 x 3	24	8	16	18.50	5056531	-
160 x 110	6 x 4	24	8	16	22.50	5056532	5122532
200 x 63	8 x 2	30	10	20	22.75	5056581	-
200 x 90	8 x 3	30	10	20	23.25	5056582	-
200 x 110	8 x 4	30	10	20	23.75	5056583	5122583
200 x 160	8 x 6	30	10	20	23.25	5056585	5122585
250 x 63	10 x 2	36	12	24	29.50	5056624	-
250 x 90	10 x 3	36	12	24	27.25	5056625	-
250 x 110	10 x 4	36	12	24	28.25	5056626	5122626
250 x 160	10 x 6	36	12	24	29.25	5056627	5122627
250 x 200	10 x 8	36	12	24	29.00	5056628	5122628
315 x 160	12 x 6	42	14	28	34.25	5056659	5122659
315 x 200	12 x 8	42	14	28	33.75	5056660	5122660

\*Please consult factory for pressure rating on fabricated fittings.

Proline®  
 PRO45/PRO150 FABRICATED

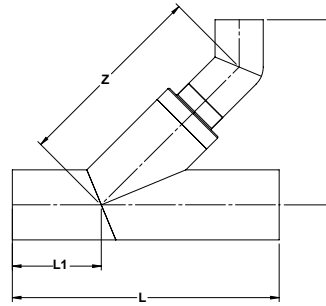


**FABRICATED SANITARY TEE**

Size		Dimensions				SDR 11 / MOP 5 PSI	SDR 33 / MOP 5 PSI
mm	inch	L	L1	L2	H	Part Number	Part Number
63	2	18	6	12	9	5057020	-
90	3	18	6	12	9	5057030	-
110	4	18	6	12	9	5057040	5133040
160	6	24	8	16	12.5	5057060	5133060
200	8	30	10	20	15.5	5057080	5133080
250	10	36	12	24	18.5	5057100	5133100
315	12	42	14	28	21.75	5057120	5133120

\*Please consult factory for pressure rating on fabricated fittings.

Proline®  
PRO45/PRO150 FABRICATED



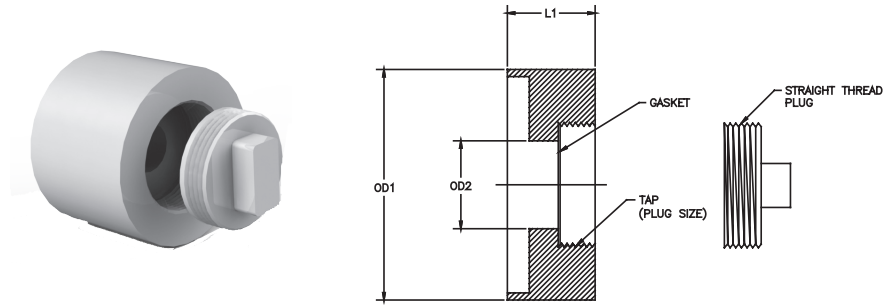
## FABRICATED REDUCING SANITARY TEE

Size		Dimensions				SDR 11 / MOP 5 PSI	SDR 33 / MOP 5 PSI
mm	inch	L	L1	Z	H	Part Number	Part Number
90 x 63	3 x 2	18	6	10.5	10.63	5060338	-
110 x 63	4 x 2	18	6	10.5	10.63	5060420	5135420
110 x 90	4 x 3	18	6	10.5	11.50	5060422	5135422
160 x 63	6 x 2	24	8	15	13.75	5060530	5135530
160 x 90	6 x 3	24	8	15	14.75	5060531	-
160 x 110	6 x 4	24	8	15	14.88	5060532	5135532
200 x 63	8 x 2	30	10	17	15.13	5060581	-
200 x 90	8 x 3	30	10	17	16.13	5060582	-
200 x 110	8 x 4	30	10	17	17.00	5060583	5135583
200 x 160	8 x 6	30	10	17	20.25	5060585	5135585
250 x 63	10 x 2	36	12	20	17.25	5060624	-
250 x 90	10 x 3	36	12	20	18.25	5060625	-
250 x 110	10 x 4	36	12	21	19.13	5060626	5135626
250 x 160	10 x 6	36	12	21	21.00	5060627	5135627
250 x 200	10 x 8	36	12	24	23.63	5060628	5135628
315 x 160	12 x 6	42	14	28	26.00	5060659	5135659
315 x 200	12 x 8	42	14	29	27.25	5060660	5135660

\*Please consult factory for pressure rating on fabricated fittings.

Proline®  
PRO45/PRO150 FABRICATED





### CLEANOUT WITH PLUG

Size		Dimensions				SDR 11 / MOP 5 PSI	SDR 33 / MOP 5 PSI
mm	inch	OD1	L1	OD2	TAP DEPTH	Part Number	Part Number
50	1-1/2	1.96	3	0.25	0.5	5066015	-
63	2	2.48	3	0.50	0.75	5066020	-
90	3	3.54	3	1.00	0.93	5066030	-
110	4	4.33	3	2.00	1.12	5066040	5148040
160	6	6.30	3	2.50	1.26	5066060	5148060
200	8	7.87	3	2.50	1.26	5066080*	5148080*
250	10	9.84	3	2.50	1.26	5066100*	5148100*
315	12	12.40	3	2.50	1.26	5066120*	5148120*

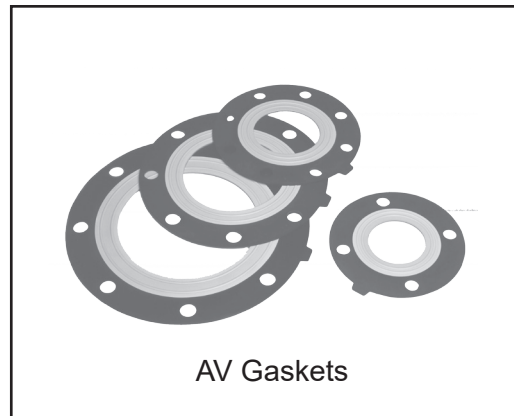
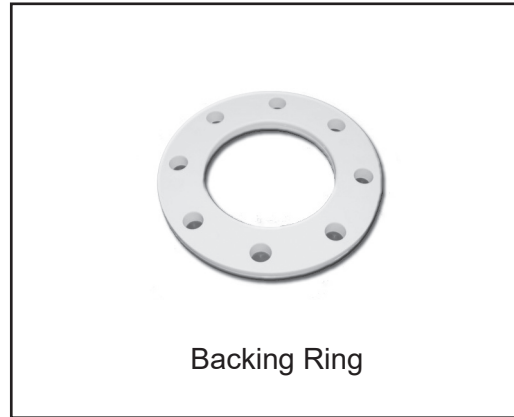
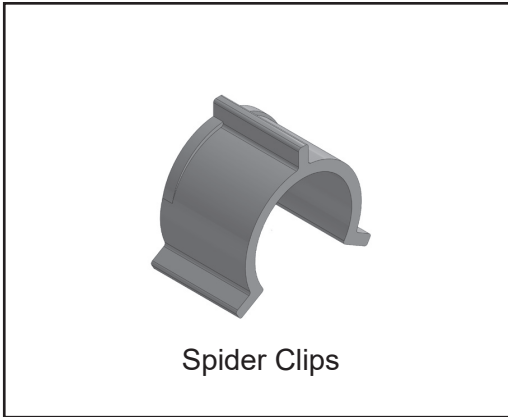
Machined straight threads, 5psi maximum.

\*NON STANDARD STOCK

**\*Please consult factory for pressure rating on fabricated fittings.**

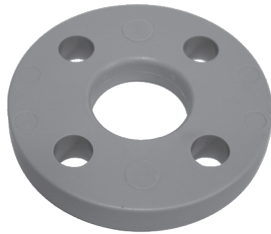
Proline®  
PRO45/PRO150 FABRICATED

# Piping System Accessories



Accessories

**BACKING RING\***

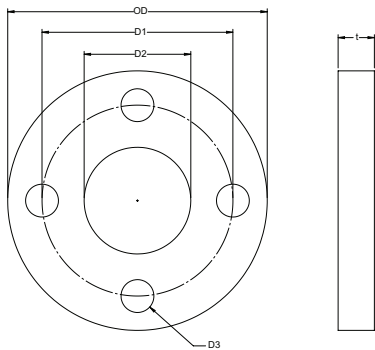


**Backing Ring**

Size		Description	PP - Grey
mm	inch		Part Number
20	1/2	ANSI 150#	5046005
25	3/4	ANSI 150#	5046007
32	1	ANSI 150#	5046010
40	1-1/4	ANSI 150#	5046012
50	1-1/2	ANSI 150#	5046015
63	2	ANSI 150#	5046020
75	2-1/2	ANSI 150#	5046025
90	3	ANSI 150#	5046030
110	4	ANSI 150#	5046040
160	6	ANSI 150#	5046060
200/225	8	ANSI 150#	5046080
250/280	10	ANSI 150#	5046100
315	12	ANSI 150#	5046120

\*DIN bolt pattern PN 10/16 available.

**Accessories**



Size		Dimensions						
mm	inch	OD	D1	D2	D3	t	Weight	# of Bolt Holes
20	1/2	3.740	2.380	1.102	0.630	0.472	0.463	4
25	3/4	4.016	2.750	1.339	0.630	0.472	0.529	4
32	1	4.488	3.120	1.654	0.630	0.630	0.807	4
40	1-1/4	5.118	3.500	2.008	0.630	0.630	1.235	4
50	1-1/2	5.236	3.880	2.441	0.630	0.709	1.193	4
63	2	6.378	4.750	3.071	0.787	0.709	1.788	4
75	2-1/2	7.244	5.500	3.622	0.787	0.709	2.352	4
90	3	7.638	6.000	4.370	0.787	0.709	2.271	4
110	4	9.016	7.500	5.236	0.787	0.709	3.342	8
160	6	11.142	9.500	7.008	0.866	0.945	5.115	8
200/225	8	13.583	11.750	9.291	0.866	0.945	7.474	8
250/280	10	16.220	14.250	11.339	0.984	1.024	13.669	12
315	12	19.173	17.000	13.307	0.984	1.260	28.748	12

225mm (9") and 200mm (8") stub ends use 8" ANSI backing rings.  
Consult factory for backing rings larger than 315mm (12").

## BACKING RING\*

Size		Description	PP - Black*
mm	inch		Part Number
20	1/2	ASNI 150#	5146005
25	3/4	ASNI 150#	5146007
32	1	ASNI 150#	5146010
40	1-1/4	ASNI 150#	5146012
50	1-1/2	ASNI 150#	5146015
63	2	ASNI 150#	5146020
75	2-1/2	ASNI 150#	5146025
90	3	ASNI 150#	5146030
110	4	ASNI 150#	5146040
160	6	ASNI 150#	5146060
200/225	8	ASNI 150#	5146080
250/280	10	ASNI 150#	5146100
315	12	ASNI 150#	5146120



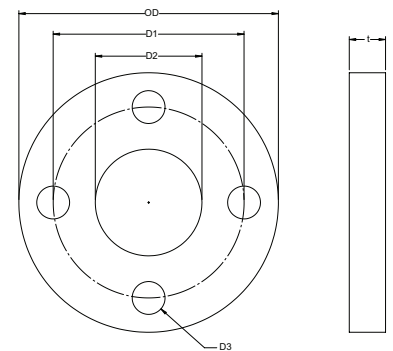
Backing Ring

\*DIN bolt pattern PN 10/16 available.

\*PP black UV resistant.

Accessories

Size		Dimensions						
mm	inch	OD	D1	D2	D3	t	Weight	# of Bolt Holes
20	1/2	3.740	2.380	1.102	0.630	0.472	0.463	4
25	3/4	4.016	2.750	1.339	0.630	0.472	0.529	4
32	1	4.488	3.120	1.654	0.630	0.630	0.807	4
40	1-1/4	5.118	3.500	2.008	0.630	0.630	1.235	4
50	1-1/2	5.236	3.880	2.441	0.630	0.709	1.193	4
63	2	6.378	4.750	3.071	0.787	0.709	1.788	4
75	2-1/2	7.244	5.500	3.622	0.787	0.709	2.352	4
90	3	7.638	6.000	4.370	0.787	0.709	2.271	4
110	4	9.016	7.500	5.236	0.787	0.709	3.342	8
160	6	11.142	9.500	7.008	0.866	0.945	5.115	8
200/225	8	13.583	11.750	9.291	0.866	0.945	7.474	8
250/280	10	16.220	14.250	11.339	0.984	1.024	13.669	12
315	12	19.173	17.000	13.307	0.984	1.260	28.748	12



225mm (9") and 200mm (8") stub ends use 8" ANSI backing rings.  
Consult factory for backing rings larger than 315mm (12").

**BACKING RING\***

Size		Description	Ductile Iron+	316 SS++
mm	inch		Part Number	Part Number
20	1/2	ANSI 150#	-	504501005
25	3/4	ANSI 150#	5048007	504501007
32	1	ANSI 150#	5048010	504501010
40	1-1/4	ANSI 150#	5048012	-
50	1-1/2	ANSI 150#	5048015	504501015
63	2	ANSI 150#	5048020	504501020
75	2-1/2	ANSI 150#	5048025	-
90	3	ANSI 150#	5048030	504501030
110	4	ANSI 150#	5048040	504501040
160	6	ANSI 150#	5048060	504501060
200/225	8	ANSI 150#	5048080	504501080
250/280	10	ANSI 150#	5048100	504501100
315	12	ANSI 150#	5048120	504501120
355	14	ANSI 150#	5048140	-
400	16	ANSI 150#	5048160	-
450	18	ANSI 150#	5048180	-
500	20	ANSI 150#	5048200	-
550	22	ANSI 150#	5048220	-
630	24	ANSI 150#	5048240	-

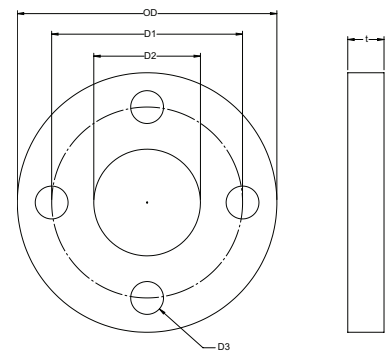


**Backing Ring**

Accessories

\*DIN bolt pattern PN 10/16 available.  
 +DI backing rings not recommended for socket stub ends.  
 ++ Contact A/A for current Stainless Steel pricing.

Size		Dimensions							# of Bolt Holes
mm	inch	OD	D1	D2	D3	t	Weight		
20	1/2	3.740	2.380	1.102	0.630	0.472	0.463	4	
25	3/4	4.016	2.750	1.339	0.630	0.472	0.529	4	
32	1	4.488	3.120	1.654	0.630	0.630	0.807	4	
40	1-1/4	5.118	3.500	2.008	0.630	0.630	1.235	4	
50	1-1/2	5.236	3.880	2.441	0.630	0.709	1.193	4	
63	2	6.378	4.750	3.071	0.787	0.709	1.788	4	
75	2-1/2	7.244	5.500	3.622	0.787	0.709	2.352	4	
90	3	7.638	6.000	4.370	0.787	0.709	2.271	4	
110	4	9.016	7.500	5.236	0.787	0.709	3.342	8	
160	6	11.142	9.500	7.008	0.866	0.945	5.115	8	
200/225	8	13.583	11.750	9.291	0.866	0.945	7.474	8	
250/280	10	16.220	14.250	11.339	0.984	1.024	13.669	12	
315	12	19.173	17.000	13.307	0.984	1.260	22.500	12	
355	14	21.000	19.750	14.800	1.130	1.380	30.000	12	
400	16	23.500	21.250	16.930	1.130	1.440	35.000	16	
450	18	25.000	22.750	18.500	1.250	1.560	39.000	16	
500	20	27.500	25.000	21.250	1.250	1.690	56.000	20	
630	24	32.000	29.500	25.000	1.380	2.130	74.000	20	



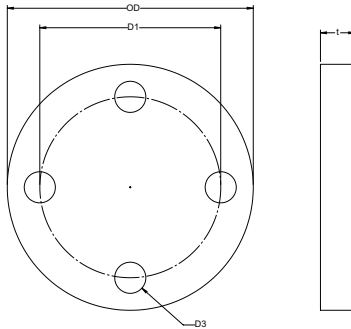
### PP BLIND FLANGE



**PP  
Blind Flange**

Size		Description	230 PSI Part Number
mm	inch		
20	1/2	Steel Insert, ANSI 150#	5042005
25	3/4	Steel Insert, ANSI 150#	5042007
32	1	Steel Insert, ANSI 150#	5042010
40	1-1/4	Steel Insert, ANSI 150#	5042012
50	1-1/2	Steel Insert, ANSI 150#	5042015
63	2	Steel Insert, ANSI 150#	5042020
75	2-1/2	Steel Insert, ANSI 150#	5042025
90	3	Steel Insert, ANSI 150#	5042030
110	4	Steel Insert, ANSI 150#	5042040
160	6	Steel Insert, ANSI 150#	5042060
200	8	Steel Insert, ANSI 150#	5042080
250	10	Steel Insert, ANSI 150#	5042100
315	12	Steel Insert, ANSI 150#	5042120

**Accessories**



Size		OD	D1	D3	t	Weight (lbs)	# of Bolt Holes
mm	inch						
20	1/2	3.740	2.380	0.630	0.472	0.569	4
25	3/4	4.016	2.750	0.630	0.472	0.750	4
32	1	4.488	3.120	0.630	0.630	1.118	4
40	1-1/4	5.118	3.500	0.630	0.630	1.614	4
50	1-1/2	5.236	3.880	0.630	0.709	1.775	4
63	2	6.378	4.750	0.787	0.709	2.690	4
75	2-1/2	7.244	5.500	0.787	0.709	3.400	4
90	3	7.638	6.000	0.787	0.709	4.057	4
110	4	9.016	7.500	0.787	0.709	6.504	8
160	6	11.142	9.500	0.866	0.945	11.244	8
200	8	13.583	11.750	0.866	0.945	17.461	8
250	10	16.220	14.250	0.984	1.024	33.400	12
315	12	19.173	17.000	0.984	1.260	63.493	12

### PVDF BLIND FLANGE LINER

Size		Description	Not Pressure Rated Part Number
mm	inch		
20	1/2	ANSI 150#	5427005
25	3/4	ANSI 150#	5427007
32	1	ANSI 150#	5427010
40	1-1/4	ANSI 150#	5427012
50	1-1/2	ANSI 150#	5427015
63	2	ANSI 150#	5427020
75	2-1/2	ANSI 150#	5427025
90	3	ANSI 150#	5427030
110	4	ANSI 150#	5427040
160	6	ANSI 150#	5427060
200	8	ANSI 150#	5427080

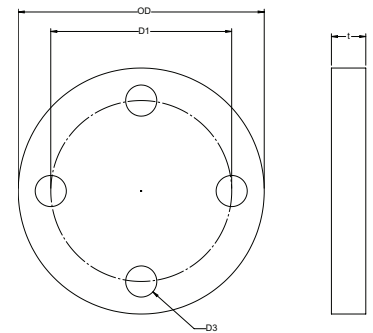


**PVDF  
Blind Flange**

Machined item non-returnable / non-cancelable.  
Not for pressure applications unless utilized with pressure rated blind flange see above.

Accessories

Size		OD	D1	D3	t	Weight (lbs)	# of Bolt Holes
mm	inch						
20	1/2	3.740	2.380	0.630	0.669	0.258	4
25	3/4	4.016	2.750	0.630	0.669	0.340	4
32	1	4.488	3.120	0.630	0.669	0.507	4
40	1-1/4	5.118	3.500	0.630	0.669	0.732	4
50	1-1/2	5.236	3.880	0.630	0.669	0.805	4
63	2	6.378	4.750	0.787	0.669	1.220	4
75	2-1/2	7.244	5.500	0.787	0.669	1.542	4
90	3	7.638	6.000	0.787	0.669	1.840	4
110	4	9.016	7.500	0.787	0.669	2.950	8
160	6	11.142	9.500	0.866	0.669	5.100	8
200	8	13.583	11.750	0.866	0.669	7.920	8
250	10	16.220	14.250	0.984	0.669	15.150	12
315	12	19.173	17.000	0.984	0.669	28.800	12



### AV Gaskets

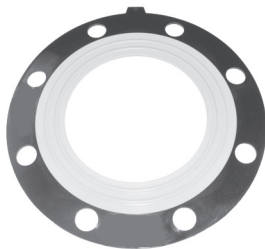
Please consult current Valve List Price book to ensure the list prices on all AV gaskets are current. Current Valve Price book supersedes this pricing.



**EPDM**  
Durometer 65-70



**PVDF**  
Durometer 83-85



**PTFE**  
Durometer 95-100

#### CT GASKETS -PTFE\*



**PTFE**

\* Non stock-special order

#### AV Gaskets - EPDM

Size	Description	Part Number
1/2"	EPDM	3113005
3/4"	EPDM	3113007
1"	EPDM	3113010
1-1/4"	EPDM	3113012
1-1/2"	EPDM	3113015
2"	EPDM	3113020
2-1/2"	EPDM	3113025
3"	EPDM	3113030
4"	EPDM	3113040
6"	EPDM	3113060
8"	EPDM	3113080
10"	EPDM	3113100
12"	EPDM	3113120

#### AV Gaskets - PVDF

Size	Description	Part Number
1/2"	PVDF	3115005
3/4"	PVDF	3115007
1"	PVDF	3115010
1-1/2"	PVDF	3115015
2"	PVDF	3115020
3"	PVDF	3115030
4"	PVDF	3115040
6"	PVDF	3115060
8"	PVDF	3115080
10"	PVDF	3115100

#### AV Gaskets - PTFE

Size	Description	Part Number
1/2"	PTFE	3114005
3/4"	PTFE	3114007
1"	PTFE	3114010
1-1/4"	PTFE	3114012
1-1/2"	PTFE	3114015
2"	PTFE	3114020
2-1/2"	PTFE	3114025
3"	PTFE	3114030
4"	PTFE	3114040
6"	PTFE	3114060
8"	PTFE	3114080
10"	PTFE	3114100
12"	PTFE	3114120

General grade, available cleaned and bagged.

Size		Description	Part Number
mm	inch		
355	14	ANSI 150#	3116140
400	16	ANSI 150#	3116160
450	18	ANSI 150#	3116180
500	20	ANSI 150#	3116200
630	24	ANSI 150#	3116240

Accessories



**SPIDER CLIP - PP**

Size		PRO150 X 150	PRO150 X 45	PRO45 X 45
mm	inch	Part Number	Part Number	Part Number
32 x 90	1 X 3	5244134	-	-
63 x 110	2 X 4	5244420	5346420	-
90 x 160	3 X 6	5244531	5346531	-
110 x 200	4 X 8	5244583	5346583	5346583
160 x 250	6 X 10	5244627	5346627	5346627
200 x 315	8 X 12	5244660	5346660	5346660
250 x 355	10 X 14	5244702	5346702	5346702
315 x 400	12 X 16	5244690	5346690	5346690
355 x 450	14 X 18	5244710	5346710	5346710
400 x 500	16 X 20	-	5346726	5346726



**PP  
Spider Clip**

**SPIDER CLIP - PVDF**

Size		PRO150 X 150	PRO150 X 45	PRO45 X 45
mm	inch	Part Number	Part Number	Part Number
32 x 90	1 X 3	5244134	-	-
63 x 110	2 X 4	5244420	5346420	-
90 x 160	3 X 6	5244531	5346531	-
110 x 200	4 X 8	5244583	5346583	5346583
160 x 250	6 X 10	5244627	5346627	5346627
200 x 315	8 X 12	5244660	5346660	5346660
250 x 355	10 X 14	5244702	5346702	5346702
315 x 400	12 X 16	5244690	5346690	5346690
355 x 450	14 X 18	5244710	5346710	5346710
400 x 500	16 X 20	-	5346726	5346726

**SPIDER CLIP - PE (FOR CHEM PROLINE®)**

Sizes		SDR	Part Number
mm	inches		
32 x 90	1 x 3	SDR 11 x 11	4784134
63 x 110	2 x 4	SDR 11 X 33	4784420
90 x 169	3 x 6	SDR 11 x 33	4784531
110 x 200	4 x 8	SDR 11 x 33	4784583
200 x 250	6 x 10	SDR 11 x 33	4784627
200 x 315	8 x 12	SDR 11 x 33	4784660
250 x 355	10 x 14	SDR 11 x 33	4784702
315 x 400	12 x 16	SDR 11 x 33	4784690



**PE  
Spider Clip**

**SUPPORT DISC - PP**

**PP  
Support  
Disc**

Size		PRO150 X 150	PRO150 X 45	PRO45 X 45
mm	inch	Part Number	Part Number	Part Number
32 x 90	1 X 3	5242134	-	-
63 x 110	2 X 4	5242420	5344420	-
90 x 160	3 X 6	5242531	5344531	-
110 x 200	4 X 8	5242583	5344583	5344583
160 x 250	6 X 10	5242627	5344627	5344627
200 x 315	8 X 12	5242660	5344660	5344660
250 x 355	10 X 14	5242702	5344702	5344702
315 x 400	12 X 16	-	5344690	5344690
355 x 450	14 X 18	-	5344710	5344710
400 x 500	16 X 20	-	5344726	5344726

Required if full pipe length is cut. Must be installed before welding pipe.

**SUPPORT DISC - PVDF**

**PVDF  
Support  
Disc**

Size		PVDF X PVDF
mm	inch	Part Number
32 x 90	1 X 3	6238134
63 x 110	2 X 4	6238420
90 x 160	3 X 6	6238531
110 x 200	4 X 8	6238583
160 x 250	6 X 10	6238627
200 x 315	8 X 12	6236660

Required if full pipe length is cut. Must be installed before welding pipe.

**SUPPORT DISC - PE (FOR CHEM PROLINE®)**

**PE  
Support  
Disc**

Sizes		SDR	Part Number
mm	inches		
32 x 90	1 x 3	SDR 11 x 11	4744134
63 x 110	2 x 4	SDR 11 X 33	4744420
90 x 169	3 x 6	SDR 11 x 33	4744531
110 x 200	4 x 8	SDR 11 x 33	4744583
200 x 250	6 x 10	SDR 11 x 33	4744627
200 x 315	8 x 12	SDR 11 x 33	4744660
250 x 355	10 x 14	SDR 11 x 33	4744702
315 x 400	12 x 16	SDR 11 x 33	4744690

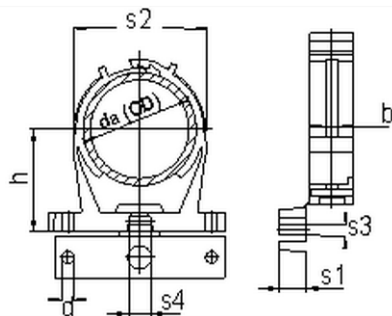
Required if full pipe length is cut. Must be installed before welding pipe.



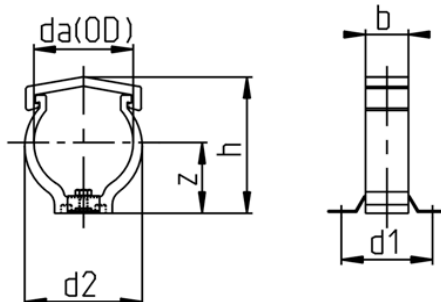
**PIPE CLIPS**

Size		Description	Part Number
mm	inch		
20	1/2	Snap Clips	5349005
25	3/4	Snap Clips	5349007
32	1	Snap Clips	5349010
40	1-1/4	Snap Clips	5349012
50	1-1/2	Snap Clips	5349015
63	2	2 Piece Clip	5246020
75	2-1/2	2 Piece Clip	5246025
90	3	2 Piece Clip	5246030
110	4	2 Piece Clip	5246040
160	6	2 Piece Clip	5246060
200	8	2 Piece Clip	5246080
225	9	2 Piece Clip	5246090

Accessories



Size		h	s1	s2	s3/d	s4	b
mm	inch						
20	1/2	1.06	0.24	1.14	0.26	0.35	0.55
25	3/4	1.18	0.40	1.34	0.26	0.35	0.63
32	1	1.24	0.45	1.54	0.26	0.35	0.63
40	1-1/4	1.46	0.55	1.97	0.26	0.35	0.69
50	1-1/2	1.61	0.59	2.20	0.26	0.35	0.79



Size		z	d1	d2	h	b
mm	inch					
63	2	2.04	2.91	3.07	3.74	1.16
75	2-1/2	2.40	3.23	3.70	4.41	1.57
90	3	2.63	3.22	4.25	5.03	1.57
110	4	3.14	3.22	5.39	5.98	1.57
160	6	4.56	4.33	7.24	8.54	2.36
200	8	5.82	4.33	9.37	10.50	2.36
225	9	6.22	4.33	10.28	11.46	2.36



**PIPE CLIPS**

Size		Description	Part Number
mm	inch		
250	10	Snap Clips	5350100
280	11	Snap Clips	5350110
315	12	Snap Clips	5350120
355	14	Snap Clips	5350140
400	16	Snap Clips	5350160

10-16" pipe clips are special order.

Accessories

Size		B	D	E	d3	Z1	Z2
mm	inch						
250	10	7.88	0.98	1.57	0.51	7.19	5.61
280	11	7.88	0.98	1.57	0.51	7.78	6.12
315	12	8.86	0.98	1.57	0.51	8.6	6.75
355	14	10.12	1.18	1.97	0.67	10.87	8.27
400	16	11.34	1.18	1.97	0.67	11.85	9.06

