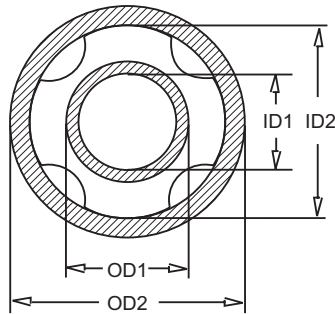


Chem Prolok®  
Advanced PE



# Chem Prolok® PE Double Wall Piping System

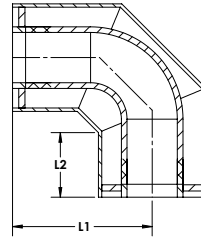


**SIMULTANEOUS WELDING PIPE\*** 5 meter (16.4') lengths

Size		Dimensions				SDR 11 X 33/ PN 10 x 3/ 150 X 45 PSI
mm	inches	OD1	OD2	ID1	ID2	Part Number
32 x 90	1 x 3	1.26	3.54	1.02	2.80	584300134*
63 x 110	2 x 4	2.48	4.33	2.02	4.06	584300420
90 x 160	3 x 6	3.54	6.30	2.90	5.91	584300531
110 x 200	4 x 8	4.33	7.87	3.54	7.39	584300583
200 x 250	6 x 10	6.30	9.84	5.15	9.23	584300627
200 x 315	8 x 12	7.87	12.40	6.44	11.63	584300660
250 x 355	10 x 14	9.84	13.98	8.05	13.10	584300702
315 x 400	12 x 16	12.40	15.75	10.14	14.77	584300690

\*Pipe is sold in 5 meter lengths (16.4')

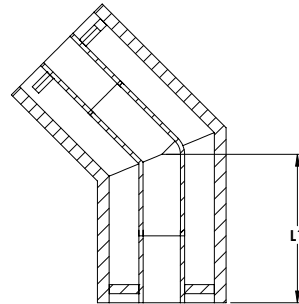
\*SDR 11 x 11.



**90 DEGREE ELBOW**

Size		Dimensions		SDR 11 X 33/ PN 10 x 3/ 150 X 45 PSI
mm	inches	L1	L2	Part Number
32 x 90	1 x 3	5.125	2.750	584295134*
63 x 110	2 x 4	5.625	2.625	584295420
90 x 160	3 x 6	7.125	2.750	584295531
110 x 200	4 x 8	9.250	3.375	584295583
200 x 250	6 x 10	14.500	4.000	582910627
200 x 315	8 x 12	19.375	5.375	582910660
250 x 355	10 x 14	19.250	5.125	582910702
315 x 400	12 x 16	19.375	4.750	582910690

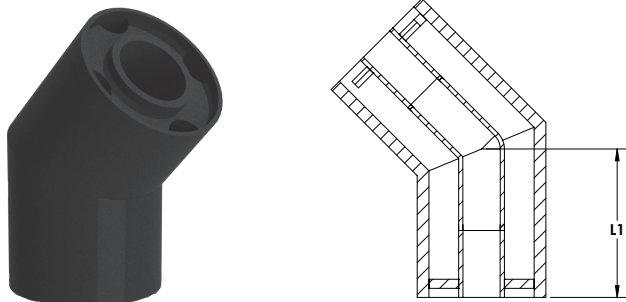
\*SDR 11 x 11



**45 DEGREE ELBOW**

Size		Dimensions	SDR 11 X 33/ PN 10 x 3/ 150 X 45 PSI
mm	inches	L1	Part Number
32 x 90	1 x 3	3.375	584296134*
63 x 110	2 x 4	2.875	584296420
90 x 160	3 x 6	3.500	584296531
110 x 200	4 x 8	3.375	584296583
200 x 250	6 x 10	4.000	582900627
200 x 315	8 x 12	5.375	582900660
250 x 355	10 x 14	5.125	582900702
315 x 400	12 x 16	4.750	582900690

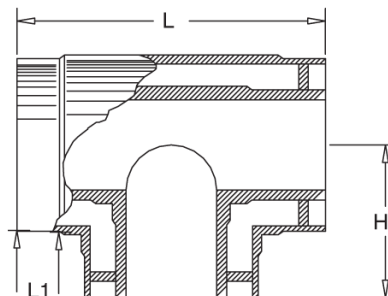
\*SDR 11 x 11.



**22.5\* DEGREE ELBOW**

Size		Dimensions	SDR 11 X 33/ PN 10 x 3/ 150 X 45 PSI
mm	inches	L1	Part Number
32 x 90	1 x 3	3.375	584397134*
63 x 110	2 x 4	2.875	584397420
90 x 160	3 x 6	3.500	584397531
110 x 200	4 x 8	3.375	584397583
200 x 250	6 x 10	4.000	584397627
200 x 315	8 x 12	5.375	584397660
250 x 355	10 x 14	5.125	584397702
315 x 400	12 x 16	4.750	584397690

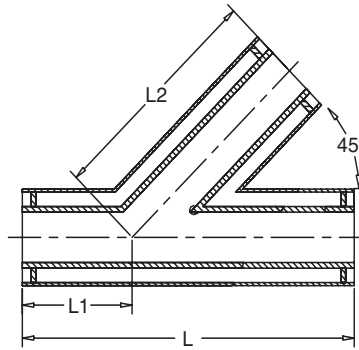
\*SDR 11 x 11.



**TEE**

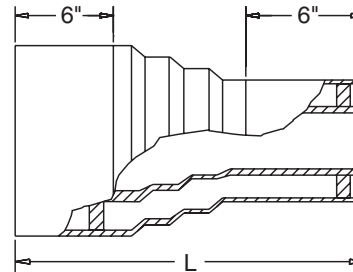
Size		Dimensions			SDR 11 X 33/ PN 10 x 3/ 150 X 45 PSI
mm	inches	L	L1	H	Part Number
32 x 90	1 x 3	8.375	1.500	4.125	584294134*
63 x 110	2 x 4	8.750	1.375	4.250	584294420
90 x 160	3 x 6	11.000	1.750	5.500	584294531
110 x 200	4 x 8	13.500	1.875	6.750	584294583
200 x 250	6 x 10	17.25	2.76	8.66	584294627
200 x 315	8 x 12	21.06	3.15	10.63	584294660
250 x 355	10 x 14	26.93	3.94	13.46	584294702

\*SDR 11 x 11.



**LATERAL STYLE**

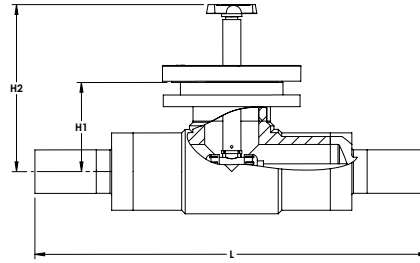
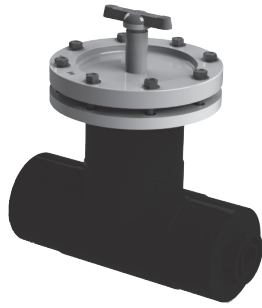
Size		Dimensions			SDR 11 X 33/ PN 6 x 2/ 90 X 30 PSI
mm	inches	L	L1	L2	Part Number
63 x 110	2 x 4	6.00	18.00	12.00	584290420
90 x 160	3 x 6	8.00	24.00	16.00	584290531
110 X 200	4 x 8	10.00	30.00	20.00	584290583
200 x 250	6 x 10	12.000	36.000	24.000	584290627
200 x 315	8 x 12	14.000	42.000	28.000	584290660
250 x 355	10 x 14	16.000	48.000	32.000	584290702
315 x 400	12 x 16	18.000	54.000	36.000	584290690



**CONCENTRIC REDUCER**

Size		Dimensions			SDR 11 X 33/ PN 10 x 3/ 150 X 45 PSI
mm	inches	L	L1	H	Part Number
(63x32)(110x90)	(2x1)(4x3)	6.375	4.375	1.625	584299740
(90x32)(160x90)	(3x1)(6x3)	8.375	2.500	2.375	584299741
(90x63)(160x110)	(3x2)(6x4)	7.250	2.500	2.500	584299743
(110x63)(200x110)	(4x2)(8x4)	9.750	2.500	2.500	584299744
(110x90)(200x160)	(4x3)(8x6)	8.500	3.500	2.500	584299746
(160x90)(250x160)	(6x3)(10x6)	9.830	2.000	2.000	584299747
(160x110)(250x200)	(6x4)(10x8)	7.860	2.000	2.000	584299748
(200x110)(315x200)	(8x4)(12x8)	12.750	3.000	2.150	584299895
(200x160)(315x250)	(8x6)(12x10)	9.650	3.000	3.000	584299893
(250x160)(355x250)	(10x6)(14x10)	10.290	2.000	2.000	584299902
(250x200)(355x315)	(10x8)(14x12)	10.000	3.000	3.000	584299899
(315x200)(400x315)	(12x8)(16x12)	11.000	3.200	3.200	584299915
(315x250)(400x355)	(12x10)(16x14)	10.000	3.000	3.000	584299910

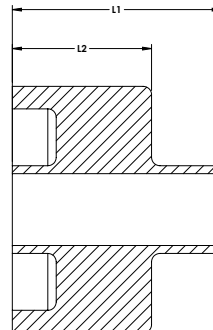
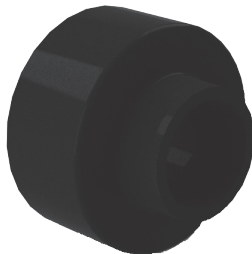
Chem Prolok®  
Advanced PE



**DC VALVE TEE**

Size		Dimensions			SDR 11 X 33/ PN 10 x 3/ 150 X 45 PSI
mm	inches	L	H1	H2	Part Number
32 x 90	1 x 3	32.125	7.250	13.625	584291134
63 x 110	2 x 4	38.875	12.625	18.375	584291420

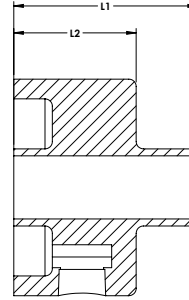
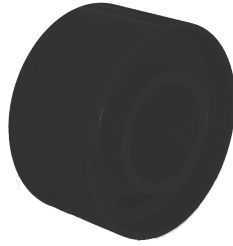
Price does not include valve. Order valve separately. Designed only for Type-21 ball valves and ball checks. Contact factory for other valve needs.



**END TERMINATION**

Size		Dimensions		SDR 11 X 33/ PN 10 x 3/ 150 X 45 PSI
mm	inches	L1	L2	Part Number
32 x 90	1 x 3	3.000	2.000	584297134*
63 x 110	2 x 4	3.000	2.000	584297420
90 x 160	3 x 6	3.000	2.000	584297531
110 x 200	4 x 8	3.000	2.000	584297583
200 x 250	6 x 10	3.000	2.000	584297627
200 x 315	8 x 12	3.000	2.000	584297660
250 x 355	10 x 14	3.500	2.250	584297702
315 x 400	12 x 16	3.500	2.250	584297690

\*SDR 11 x 11.

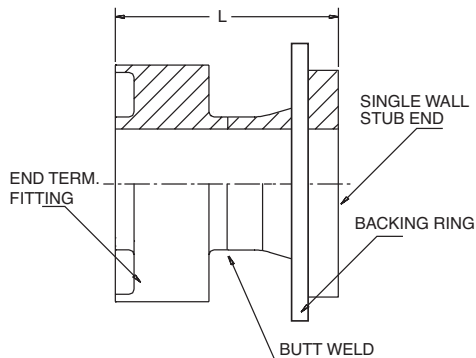
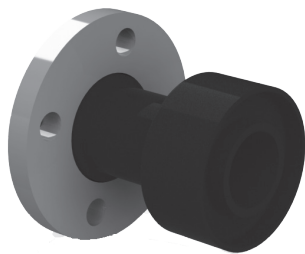


**END TERMINATION WITH 1/2" FPT**

Size		Dimensions		SDR 11 X 33/ PN 10 x 3/ 150 X 45 PSI
mm	inches	L1	L2	Part Number
32 x 90	1 x 3	3.000	2.000	584298134*
63 x 110	2 x 4	3.000	2.250	584298420
90 x 160	3 x 6	3.000	2.250	584298531
110 x 200	4 x 8	3.000	2.250	584298583
200 x 250	6 x 10	3.000	2.250	584298627
200 x 315	8 x 12	3.000	2.250	584298660
250 x 355	10 x 14	3.500	2.750	584298702
315 x 400	12 x 16	3.500	2.750	584298690

\*SDR 11 x 11.





### FLANGED END TERMINATION

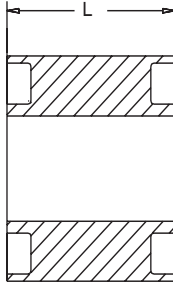
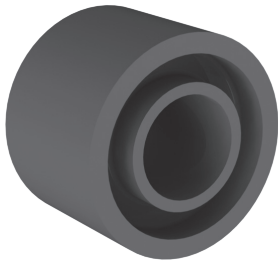
Size		Dimensions	SDR 11 X 33/ PN 10 x 3/ 150 X 45 PSI
mm	inches	L1	Part Number
32 x 90	1 x 3	4.75	584287134
63 x 110	2 x 4	4.75	584287420
90 x 160	3 x 6	6.00	584287531
110 x 200	4 x 8	6.00	584287583
200 x 250	6 x 10	6.00	584287627
200 x 315	8 x 12	6.00	584287660
250 x 355	10 x 14	7.00	584287702
315 x 400	12 x 16	7.25	584287690

\*SDR 11 x 11.

### FLANGED END TERMINATION WITH TAP

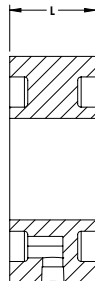
Size		Dimensions	SDR 11 X 33/ PN 10 x 3/ 150 X 45 PSI
mm	inches	L1	Part Number
32 x 90	1 x 3	4.75	584277134
63 x 110	2 x 4	4.75	584277420
90 x 160	3 x 6	6.00	584277531
110 x 200	4 x 8	6.00	584277583
200 x 250	6 x 10	6.00	584277627
200 x 315	8 x 12	6.00	584277660
250 x 355	10 x 14	7.00	584277702
315 x 400	12 x 16	7.00	584277690

\*SDR 11 x 11.



**SOLID DOGBONE®**

Size		PRO150 x PRO45	
		SDR 11 x 33/ PN 10 x 3 / 150 x 45 PSI	
mm	inch	L	Part Number
32 x 90	1 x 3	3.00	584270134
63 x 110	2 x 4	3.00	584270420
90 x 160	3 x 6	3.00	584270531
110 x 200	4 x 8	3.00	584270583
160 x 250	6 x 10	3.00	584270627
200 x 315	8 x 12	3.00	584270660
250 x 355	10 x 14	2.25	584270702
315 x 400	12 x 16	2.25	584270690

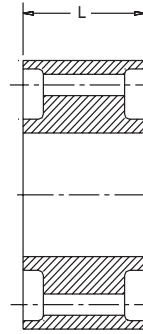
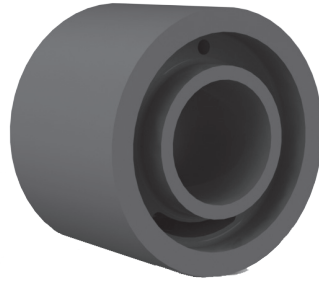


**SOLID DOGBONE® WITH TAP**

Size		PRO150 x PRO45	
		SDR 11 x 33/ PN 10 x 3 / 150 x 45 PSI	
mm	inch	L	Part Number
32 x 90	1 x 3	3	584271134
63 x 110	2 x 4	3	584271420
90 x 160	3 x 6	3	584271531
110 x 200	4 x 8	3	584271583
160 x 250	6 x 10	3	584271627
200 x 315	8 x 12	3	584271660
250 x 355	10 x 14	3	584271702
315 x 400	12 x 16	3	584271690

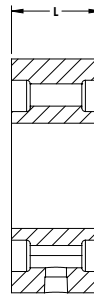
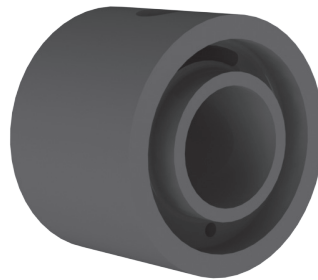
**Chem Prolok®**  
**Advanced PE**





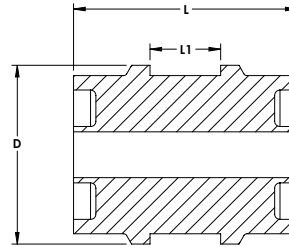
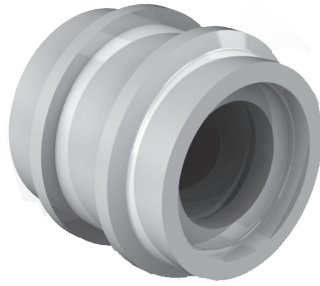
**ANNULAR DOGBONE®**

Size		PRO150 x PRO45	
		SDR 11 x 33/ PN 10 x 3 / 150 x 45 PSI	
mm	inch	L	Part Number
32 x 90	1 x 3	3	584272134
63 x 110	2 x 4	3	584272420
90 x 160	3 x 6	3	584272531
110 x 200	4 x 8	3	584272583
160 x 250	6 x 10	3	584272627
200 x 315	8 x 12	3	584272660
250 x 355	10 x 14	3	584272702
315 x 400	12 x 16	3	584272690



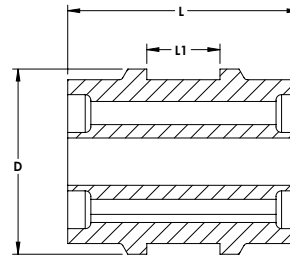
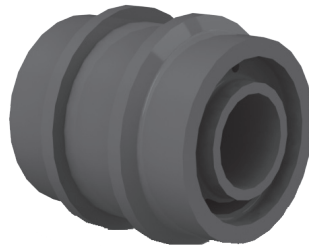
**ANNULAR DOGBONE® WITH TAP**

Size		PRO150 x PRO45	
		SDR 11 x 33/ PN 10 x 3 / 150 x 45 PSI	
mm	inch	L	Part Number
32 x 90	1 x 3	3	584273134
63 x 110	2 x 4	3	584273420
90 x 160	3 x 6	3	584273531
110 x 200	4 x 8	3	584273583
160 x 250	6 x 10	3	584273627
200 x 315	8 x 12	3	584273660
250 x 355	10 x 14	3	584273702
315 x 400	12 x 16	3	584273690



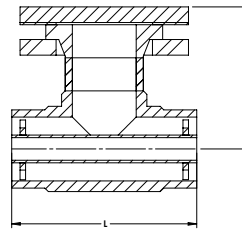
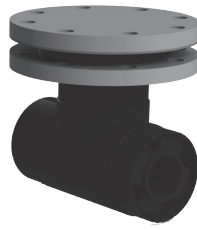
### SOLID RESTRAINT DOGBONE®

Size		PRO150 x PRO45			
		SDR 11 x 33/ PN 10 x 3 / 150 x 45 PSI			
mm	inch	L	L1	D	Part Number
32 x 90	1 x 3	3.63	1.63	4.54	584274134
63 x 110	2 x 4	3.63	1.63	5.33	584274420
90 x 160	3 x 6	4.40	2.40	7.30	584274531
110 x 200	4 x 8	4.40	2.40	8.87	584274583
160 x 250	6 x 10	3.63	1.63	10.84	584274627
200 x 315	8 x 12	3.63	1.63	13.40	584274660
250 x 355	10 x 14	5.00	1.58	14.75	584274702
315 x 400	12 x 16	5.00	1.58	16.75	584274690



### ANNULAR RESTRAINT DOGBONE®

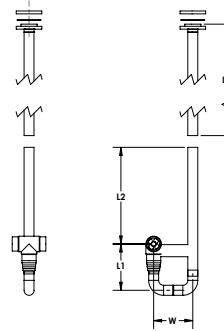
Size		PRO150 x PRO45			
		SDR 11 x 33/ PN 10 x 3 / 150 x 45 PSI			
mm	inch	L	L1	D	Part Number
32 x 90	1 x 3	3.63	1.63	4.54	584275134
63 x 110	2 x 4	3.63	1.63	5.33	584275420
90 x 160	3 x 6	4.40	2.40	7.30	584275531
110 x 200	4 x 8	4.40	2.40	8.87	584275583
160 x 250	6 x 10	3.63	1.63	10.84	584275627
200 x 315	8 x 12	3.63	1.63	13.40	584275660
250 x 355	10 x 14	5.00	1.58	14.75	584275702
315 x 400	12 x 16	5.00	1.58	16.75	584275690



**ACCESS TEE WITH PP BLIND AND PTFE AV**

Size		Dimensions		SDR 11 X 33/ PN 10 x 3/ 150 X 45 PSI
mm	inches	L	H	Part Number
32 x 90	1 x 3	8.375	6.500	584293134*
63 x 110	2 x 4	8.750	6.750	584293420
90 x 160	3 x 6	11.000	9.250	584293531
110 x 200	4 x 8	13.500	10.375	584293583
200 x 250	6 x 10	18.750	12.500	584293627
200 x 315	8 x 12	21.625	14.875	584293660
250 x 355	10 x 14	26.875	18.375	584293702
315 x 400	12 x 16	27.375	20.250	584293690

\*SDR 11 x 11.

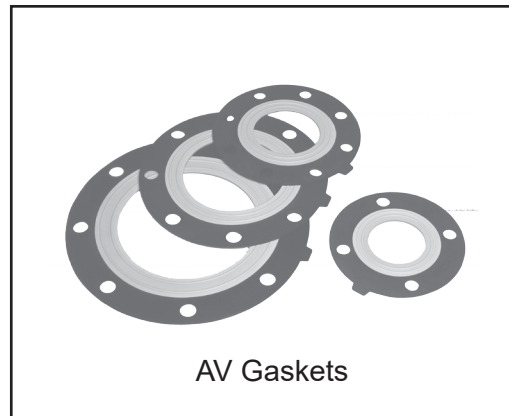
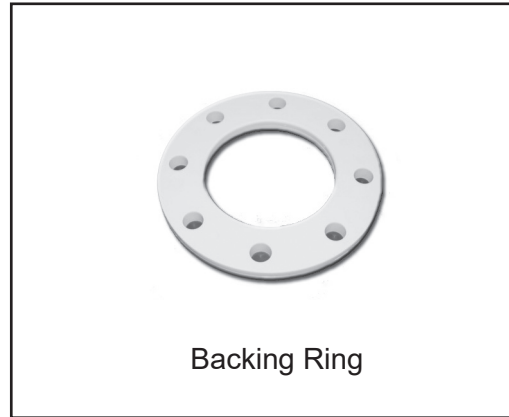
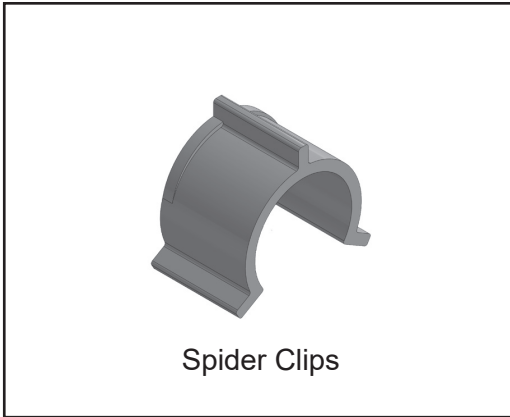


**LOW POINT LEAK DETECTION STATION WITH FLANGE RISER**

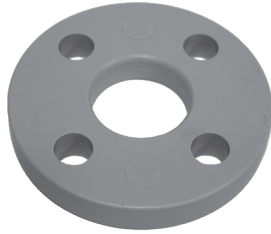
Size		Dimensions				SDR 11 X 33/ PN 10 x 3/ 150 X 45 PSI
mm	inches	L1	L2	L3	W	Part Number
32 x 90	1 x 3	11.500	24.000	36.000	9.750	584292134*
63 x 110	2 x 4	11.500	18.000	36.000	9.750	584292420
90 x 160	3 x 6	13.500	18.000	36.000	9.750	584292531
110 x 200	4 x 8	14.750	18.000	36.000	9.750	584292583
200 x 250	6 x 10	19.750	18.000	36.000	13.500	584292627
200 x 315	8 x 12	21.750	18.000	36.000	13.500	584292660
250 x 355	10 x 14	24.375	18.000	36.000	14.500	584292702
315 x 400	12 x 16	24.125	18.000	36.000	14.500	584292690

\*SDR 11 x 11.

# Piping System Accessories



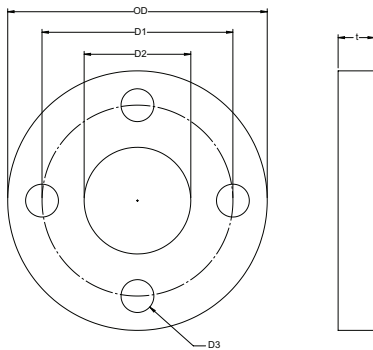
Accessories

**BACKING RING\*****Backing Ring**

Size		Description	PP - Grey
mm	inch		Part Number
20	1/2	ANSI 150#	5046005
25	3/4	ANSI 150#	5046007
32	1	ANSI 150#	5046010
40	1-1/4	ANSI 150#	5046012
50	1-1/2	ANSI 150#	5046015
63	2	ANSI 150#	5046020
75	2-1/2	ANSI 150#	5046025
90	3	ANSI 150#	5046030
110	4	ANSI 150#	5046040
160	6	ANSI 150#	5046060
200/225	8	ANSI 150#	5046080
250/280	10	ANSI 150#	5046100
315	12	ANSI 150#	5046120

\*DIN bolt pattern PN 10/16 available.

Accessories



Size		Dimensions						
mm	inch	OD	D1	D2	D3	t	Weight	# of Bolt Holes
20	1/2	3.740	2.380	1.102	0.630	0.472	0.463	4
25	3/4	4.016	2.750	1.339	0.630	0.472	0.529	4
32	1	4.488	3.120	1.654	0.630	0.630	0.807	4
40	1-1/4	5.118	3.500	2.008	0.630	0.630	1.235	4
50	1-1/2	5.236	3.880	2.441	0.630	0.709	1.193	4
63	2	6.378	4.750	3.071	0.787	0.709	1.788	4
75	2-1/2	7.244	5.500	3.622	0.787	0.709	2.352	4
90	3	7.638	6.000	4.370	0.787	0.709	2.271	4
110	4	9.016	7.500	5.236	0.787	0.709	3.342	8
160	6	11.142	9.500	7.008	0.866	0.945	5.115	8
200/225	8	13.583	11.750	9.291	0.866	0.945	7.474	8
250/280	10	16.220	14.250	11.339	0.984	1.024	13.669	12
315	12	19.173	17.000	13.307	0.984	1.260	28.748	12

225mm (9") and 200mm (8") stub ends use 8" ANSI backing rings.  
Consult factory for backing rings larger than 315mm (12").

## BACKING RING\*

Size		Description	PP - Black*
mm	inch		Part Number
20	1/2	ASNI 150#	5146005
25	3/4	ASNI 150#	5146007
32	1	ASNI 150#	5146010
40	1-1/4	ASNI 150#	5146012
50	1-1/2	ASNI 150#	5146015
63	2	ASNI 150#	5146020
75	2-1/2	ASNI 150#	5146025
90	3	ASNI 150#	5146030
110	4	ASNI 150#	5146040
160	6	ASNI 150#	5146060
200/225	8	ASNI 150#	5146080
250/280	10	ASNI 150#	5146100
315	12	ASNI 150#	5146120



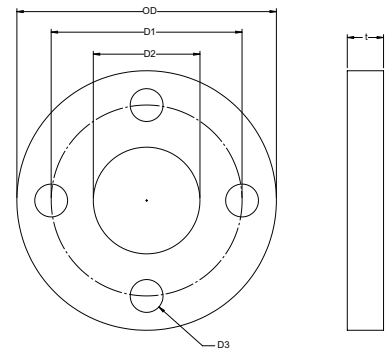
Backing Ring

\*DIN bolt pattern PN 10/16 available.

\*PP black UV resistant.

Accessories

Size		Dimensions							# of Bolt Holes
mm	inch	OD	D1	D2	D3	t	Weight		
20	1/2	3.740	2.380	1.102	0.630	0.472	0.463	4	
25	3/4	4.016	2.750	1.339	0.630	0.472	0.529	4	
32	1	4.488	3.120	1.654	0.630	0.630	0.807	4	
40	1-1/4	5.118	3.500	2.008	0.630	0.630	1.235	4	
50	1-1/2	5.236	3.880	2.441	0.630	0.709	1.193	4	
63	2	6.378	4.750	3.071	0.787	0.709	1.788	4	
75	2-1/2	7.244	5.500	3.622	0.787	0.709	2.352	4	
90	3	7.638	6.000	4.370	0.787	0.709	2.271	4	
110	4	9.016	7.500	5.236	0.787	0.709	3.342	8	
160	6	11.142	9.500	7.008	0.866	0.945	5.115	8	
200/225	8	13.583	11.750	9.291	0.866	0.945	7.474	8	
250/280	10	16.220	14.250	11.339	0.984	1.024	13.669	12	
315	12	19.173	17.000	13.307	0.984	1.260	28.748	12	



225mm (9") and 200mm (8") stub ends use 8" ANSI backing rings.  
Consult factory for backing rings larger than 315mm (12").

**BACKING RING\***

Size		Description	Ductile Iron+	316 SS++
mm	inch		Part Number	Part Number
20	1/2	ANSI 150#	-	504501005
25	3/4	ANSI 150#	5048007	504501007
32	1	ANSI 150#	5048010	504501010
40	1-1/4	ANSI 150#	5048012	-
50	1-1/2	ANSI 150#	5048015	504501015
63	2	ANSI 150#	5048020	504501020
75	2-1/2	ANSI 150#	5048025	-
90	3	ANSI 150#	5048030	504501030
110	4	ANSI 150#	5048040	504501040
160	6	ANSI 150#	5048060	504501060
200/225	8	ANSI 150#	5048080	504501080
250/280	10	ANSI 150#	5048100	504501100
315	12	ANSI 150#	5048120	504501120
355	14	ANSI 150#	5048140	-
400	16	ANSI 150#	5048160	-
450	18	ANSI 150#	5048180	-
500	20	ANSI 150#	5048200	-
550	22	ANSI 150#	5048220	-
630	24	ANSI 150#	5048240	-

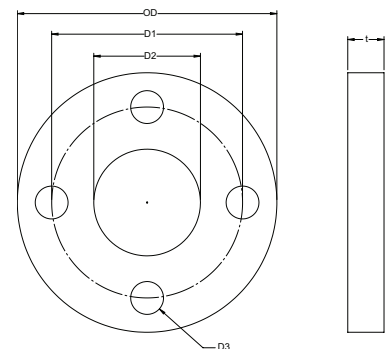


**Backing Ring**

\*DIN bolt pattern PN 10/16 available.  
 +DI backing rings not recommended for socket stub ends.  
 ++ Contact A/A for current Stainless Steel pricing.

**Accessories**

Size		Dimensions							# of Bolt Holes
mm	inch	OD	D1	D2	D3	t	Weight		
20	1/2	3.740	2.380	1.102	0.630	0.472	0.463	4	
25	3/4	4.016	2.750	1.339	0.630	0.472	0.529	4	
32	1	4.488	3.120	1.654	0.630	0.630	0.807	4	
40	1-1/4	5.118	3.500	2.008	0.630	0.630	1.235	4	
50	1-1/2	5.236	3.880	2.441	0.630	0.709	1.193	4	
63	2	6.378	4.750	3.071	0.787	0.709	1.788	4	
75	2-1/2	7.244	5.500	3.622	0.787	0.709	2.352	4	
90	3	7.638	6.000	4.370	0.787	0.709	2.271	4	
110	4	9.016	7.500	5.236	0.787	0.709	3.342	8	
160	6	11.142	9.500	7.008	0.866	0.945	5.115	8	
200/225	8	13.583	11.750	9.291	0.866	0.945	7.474	8	
250/280	10	16.220	14.250	11.339	0.984	1.024	13.669	12	
315	12	19.173	17.000	13.307	0.984	1.260	22.500	12	
355	14	21.000	19.750	14.800	1.130	1.380	30.000	12	
400	16	23.500	21.250	16.930	1.130	1.440	35.000	16	
450	18	25.000	22.750	18.500	1.250	1.560	39.000	16	
500	20	27.500	25.000	21.250	1.250	1.690	56.000	20	
630	24	32.000	29.500	25.000	1.380	2.130	74.000	20	



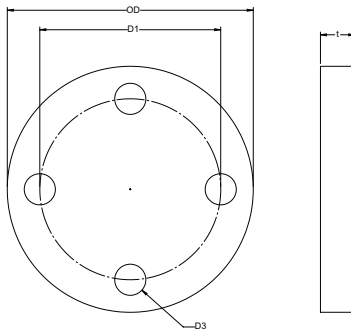
### PP BLIND FLANGE



**PP  
Blind Flange**

Size		Description	230 PSI Part Number
mm	inch		
20	1/2	Steel Insert, ANSI 150#	5042005
25	3/4	Steel Insert, ANSI 150#	5042007
32	1	Steel Insert, ANSI 150#	5042010
40	1-1/4	Steel Insert, ANSI 150#	5042012
50	1-1/2	Steel Insert, ANSI 150#	5042015
63	2	Steel Insert, ANSI 150#	5042020
75	2-1/2	Steel Insert, ANSI 150#	5042025
90	3	Steel Insert, ANSI 150#	5042030
110	4	Steel Insert, ANSI 150#	5042040
160	6	Steel Insert, ANSI 150#	5042060
200	8	Steel Insert, ANSI 150#	5042080
250	10	Steel Insert, ANSI 150#	5042100
315	12	Steel Insert, ANSI 150#	5042120

**Accessories**



Size		OD	D1	D3	t	Weight (lbs)	# of Bolt Holes
mm	inch						
20	1/2	3.740	2.380	0.630	0.472	0.569	4
25	3/4	4.016	2.750	0.630	0.472	0.750	4
32	1	4.488	3.120	0.630	0.630	1.118	4
40	1-1/4	5.118	3.500	0.630	0.630	1.614	4
50	1-1/2	5.236	3.880	0.630	0.709	1.775	4
63	2	6.378	4.750	0.787	0.709	2.690	4
75	2-1/2	7.244	5.500	0.787	0.709	3.400	4
90	3	7.638	6.000	0.787	0.709	4.057	4
110	4	9.016	7.500	0.787	0.709	6.504	8
160	6	11.142	9.500	0.866	0.945	11.244	8
200	8	13.583	11.750	0.866	0.945	17.461	8
250	10	16.220	14.250	0.984	1.024	33.400	12
315	12	19.173	17.000	0.984	1.260	63.493	12



### PVDF BLIND FLANGE LINER

Size		Description	Not Pressure Rated Part Number
mm	inch		
20	1/2	ANSI 150#	5427005
25	3/4	ANSI 150#	5427007
32	1	ANSI 150#	5427010
40	1-1/4	ANSI 150#	5427012
50	1-1/2	ANSI 150#	5427015
63	2	ANSI 150#	5427020
75	2-1/2	ANSI 150#	5427025
90	3	ANSI 150#	5427030
110	4	ANSI 150#	5427040
160	6	ANSI 150#	5427060
200	8	ANSI 150#	5427080

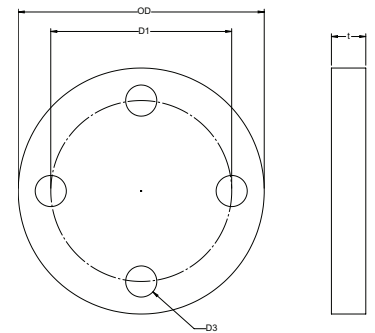


**PVDF  
Blind Flange**

Machined item non-returnable / non-cancelable.  
Not for pressure applications unless utilized with pressure rated blind flange see above.

Accessories

Size		OD	D1	D3	t	Weight (lbs)	# of Bolt Holes
mm	inch						
20	1/2	3.740	2.380	0.630	0.669	0.258	4
25	3/4	4.016	2.750	0.630	0.669	0.340	4
32	1	4.488	3.120	0.630	0.669	0.507	4
40	1-1/4	5.118	3.500	0.630	0.669	0.732	4
50	1-1/2	5.236	3.880	0.630	0.669	0.805	4
63	2	6.378	4.750	0.787	0.669	1.220	4
75	2-1/2	7.244	5.500	0.787	0.669	1.542	4
90	3	7.638	6.000	0.787	0.669	1.840	4
110	4	9.016	7.500	0.787	0.669	2.950	8
160	6	11.142	9.500	0.866	0.669	5.100	8
200	8	13.583	11.750	0.866	0.669	7.920	8
250	10	16.220	14.250	0.984	0.669	15.150	12
315	12	19.173	17.000	0.984	0.669	28.800	12



**AV Gaskets**

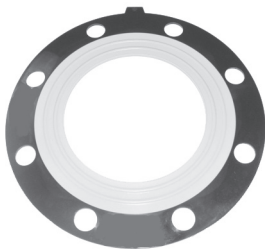
Please consult current Valve List Price book to ensure the list prices on all AV gaskets are current. Current Valve Price book supersedes this pricing.



**EPDM**  
Durometer 65-70



**PVDF**  
Durometer 83-85



**PTFE**  
Durometer 95-100

**CT GASKETS -PTFE\***



**PTFE**

\* Non stock-special order

**AV Gaskets - EPDM**

Size	Description	Part Number
1/2"	EPDM	3113005
3/4"	EPDM	3113007
1"	EPDM	3113010
1-1/4"	EPDM	3113012
1-1/2"	EPDM	3113015
2"	EPDM	3113020
2-1/2"	EPDM	3113025
3"	EPDM	3113030
4"	EPDM	3113040
6"	EPDM	3113060
8"	EPDM	3113080
10"	EPDM	3113100
12"	EPDM	3113120

**AV Gaskets - PVDF**

Size	Description	Part Number
1/2"	PVDF	3115005
3/4"	PVDF	3115007
1"	PVDF	3115010
1-1/2"	PVDF	3115015
2"	PVDF	3115020
3"	PVDF	3115030
4"	PVDF	3115040
6"	PVDF	3115060
8"	PVDF	3115080
10"	PVDF	3115100

**AV Gaskets - PTFE**

Size	Description	Part Number
1/2"	PTFE	3114005
3/4"	PTFE	3114007
1"	PTFE	3114010
1-1/4"	PTFE	3114012
1-1/2"	PTFE	3114015
2"	PTFE	3114020
2-1/2"	PTFE	3114025
3"	PTFE	3114030
4"	PTFE	3114040
6"	PTFE	3114060
8"	PTFE	3114080
10"	PTFE	3114100
12"	PTFE	3114120

General grade, available cleaned and bagged.

Size		Description	Part Number
mm	inch		
355	14	ANSI 150#	3116140
400	16	ANSI 150#	3116160
450	18	ANSI 150#	3116180
500	20	ANSI 150#	3116200
630	24	ANSI 150#	3116240

**Accessories**

**SPIDER CLIP - PP**

Size		PRO150 X 150	PRO150 X 45	PRO45 X 45
mm	inch	Part Number	Part Number	Part Number
32 x 90	1 X 3	5244134	-	-
63 x 110	2 X 4	5244420	5346420	-
90 x 160	3 X 6	5244531	5346531	-
110 x 200	4 X 8	5244583	5346583	5346583
160 x 250	6 X 10	5244627	5346627	5346627
200 x 315	8 X 12	5244660	5346660	5346660
250 x 355	10 X 14	5244702	5346702	5346702
315 x 400	12 X 16	5244690	5346690	5346690
355 x 450	14 X 18	5244710	5346710	5346710
400 x 500	16 X 20	-	5346726	5346726



**PP  
Spider Clip**

**SPIDER CLIP - PVDF**

Size		PRO150 X 150	PRO150 X 45	PRO45 X 45
mm	inch	Part Number	Part Number	Part Number
32 x 90	1 X 3	5244134	-	-
63 x 110	2 X 4	5244420	5346420	-
90 x 160	3 X 6	5244531	5346531	-
110 x 200	4 X 8	5244583	5346583	5346583
160 x 250	6 X 10	5244627	5346627	5346627
200 x 315	8 X 12	5244660	5346660	5346660
250 x 355	10 X 14	5244702	5346702	5346702
315 x 400	12 X 16	5244690	5346690	5346690
355 x 450	14 X 18	5244710	5346710	5346710
400 x 500	16 X 20	-	5346726	5346726

**SPIDER CLIP - PE (FOR CHEM PROLINE®)**

Sizes		SDR	Part Number
mm	inches		
32 x 90	1 x 3	SDR 11 x 11	4784134
63 x 110	2 x 4	SDR 11 X 33	4784420
90 x 169	3 x 6	SDR 11 x 33	4784531
110 x 200	4 x 8	SDR 11 x 33	4784583
200 x 250	6 x 10	SDR 11 x 33	4784627
200 x 315	8 x 12	SDR 11 x 33	4784660
250 x 355	10 x 14	SDR 11 x 33	4784702
315 x 400	12 x 16	SDR 11 x 33	4784690



**PE  
Spider Clip**

**SUPPORT DISC - PP**

**PP  
Support  
Disc**

Size		PRO150 X 150	PRO150 X 45	PRO45 X 45
mm	inch	Part Number	Part Number	Part Number
32 x 90	1 X 3	5242134	-	-
63 x 110	2 X 4	5242420	5344420	-
90 x 160	3 X 6	5242531	5344531	-
110 x 200	4 X 8	5242583	5344583	5344583
160 x 250	6 X 10	5242627	5344627	5344627
200 x 315	8 X 12	5242660	5344660	5344660
250 x 355	10 X 14	5242702	5344702	5344702
315 x 400	12 X 16	-	5344690	5344690
355 x 450	14 X 18	-	5344710	5344710
400 x 500	16 X 20	-	5344726	5344726

Required if full pipe length is cut. Must be installed before welding pipe.

**SUPPORT DISC - PVDF**

**PVDF  
Support  
Disc**

Size		PVDF X PVDF
mm	inch	Part Number
32 x 90	1 X 3	6238134
63 x 110	2 X 4	6238420
90 x 160	3 X 6	6238531
110 x 200	4 X 8	6238583
160 x 250	6 X 10	6238627
200 x 315	8 X 12	6236660

Required if full pipe length is cut. Must be installed before welding pipe.

**SUPPORT DISC - PE (FOR CHEM PROLINE®)**

**PE  
Support  
Disc**

Sizes		SDR	Part Number
mm	inches		
32 x 90	1 x 3	SDR 11 x 11	4744134
63 x 110	2 x 4	SDR 11 X 33	4744420
90 x 169	3 x 6	SDR 11 x 33	4744531
110 x 200	4 x 8	SDR 11 x 33	4744583
200 x 250	6 x 10	SDR 11 x 33	4744627
200 x 315	8 x 12	SDR 11 x 33	4744660
250 x 355	10 x 14	SDR 11 x 33	4744702
315 x 400	12 x 16	SDR 11 x 33	4744690

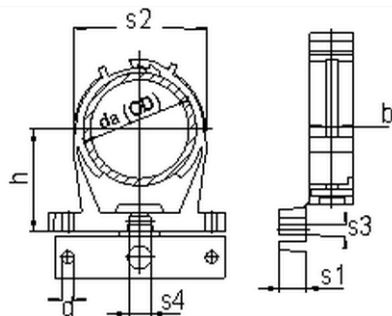
Required if full pipe length is cut. Must be installed before welding pipe.



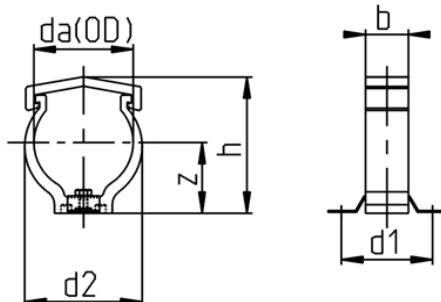
**PIPE CLIPS**

Size		Description	Part Number
mm	inch		
20	1/2	Snap Clips	5349005
25	3/4	Snap Clips	5349007
32	1	Snap Clips	5349010
40	1-1/4	Snap Clips	5349012
50	1-1/2	Snap Clips	5349015
63	2	2 Piece Clip	5246020
75	2-1/2	2 Piece Clip	5246025
90	3	2 Piece Clip	5246030
110	4	2 Piece Clip	5246040
160	6	2 Piece Clip	5246060
200	8	2 Piece Clip	5246080
225	9	2 Piece Clip	5246090

Accessories



Size		h	s1	s2	s3/d	s4	b
mm	inch						
20	1/2	1.06	0.24	1.14	0.26	0.35	0.55
25	3/4	1.18	0.40	1.34	0.26	0.35	0.63
32	1	1.24	0.45	1.54	0.26	0.35	0.63
40	1-1/4	1.46	0.55	1.97	0.26	0.35	0.69
50	1-1/2	1.61	0.59	2.20	0.26	0.35	0.79



Size		z	d1	d2	h	b
mm	inch					
63	2	2.04	2.91	3.07	3.74	1.16
75	2-1/2	2.40	3.23	3.70	4.41	1.57
90	3	2.63	3.22	4.25	5.03	1.57
110	4	3.14	3.22	5.39	5.98	1.57
160	6	4.56	4.33	7.24	8.54	2.36
200	8	5.82	4.33	9.37	10.50	2.36
225	9	6.22	4.33	10.28	11.46	2.36



**PIPE CLIPS**

Size		Description	Part Number
mm	inch		
250	10	Snap Clips	5350100
280	11	Snap Clips	5350110
315	12	Snap Clips	5350120
355	14	Snap Clips	5350140
400	16	Snap Clips	5350160

10-16" pipe clips are special order.

Accessories

Size		B	D	E	d3	Z1	Z2
mm	inch						
250	10	7.88	0.98	1.57	0.51	7.19	5.61
280	11	7.88	0.98	1.57	0.51	7.78	6.12
315	12	8.86	0.98	1.57	0.51	8.6	6.75
355	14	10.12	1.18	1.97	0.67	10.87	8.27
400	16	11.34	1.18	1.97	0.67	11.85	9.06

