

Specifications

Size Range: 10" & 12"
Models: Wafer Style ANSI
Bodies: PVC
Seals: EPDM or FKM

Wafer Check Valves

Standard Features (Sizes 10" & 12") Parts List (Sizes 10" & 12")

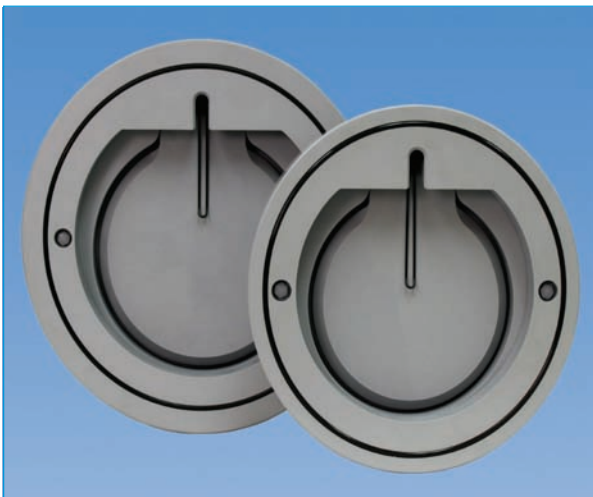
- PVC body with EPDM or FKM seals
- Slim profile permits easy installation
- Wafer style fits between 2-mating flanges
- Face to Face meets ASME/ANSI B16.10
- No spacer required
- No pipe interference with disc
- No bolt pattern – Permits installation using ANSI/JIS/DIN mating flanges
- Vertical or Horizontal installation
- No external shaft
- Excellent chemical resistance
- Max Pressure 90 psi
- Max Temperature 120 F

PARTS			
NO.	DESCRIPTION	PCS.	MATERIAL
1	Body	1	PVC
2	Disc	1	PVC
3	Stopper	1	PVC
4	Shaft	1	PVC
5	Shaft Plug	1	PVC
6	AV Bolt	2	PVC
7	I Bolt	1	SS400
8*	Spring	1	SWP-B W/ECTFE Coating
9	O-Ring (A)	3	EPDM/FKM
10	O-Ring (B)	1	EPDM/FKM
11	O-Ring (C)	1	EPDM/FKM

* Item # 8 used on spring type valve only

Options

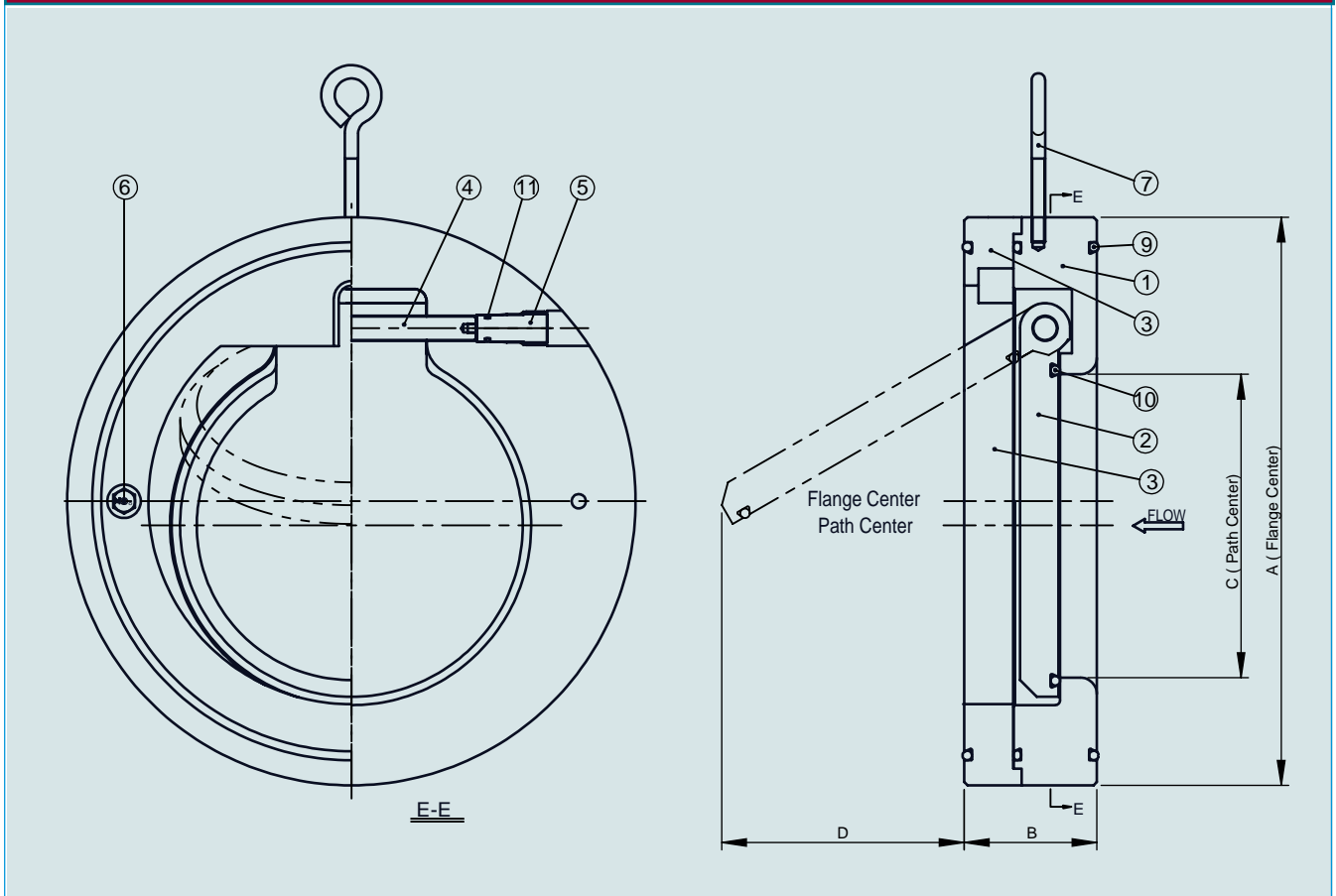
- SWP-B (SS) Spring ECTFE coated



Sample Specification

All Wafer Check valves shall be of solid thermoplastic construction, having no metal that comes in contact with the media. Valves shall incorporate a single disc design suitable for either horizontal or vertical installations. Valves shall be wafer style conforming to ASME/ANSI B16.1 face to face dimensions for 150 LB flanges. Valves shall be round body design with all O-ring seals of either EPDM or FKM and accept as an option an SWP-B ECTFE coated spring for use in vertical applications. PVC shall conform to ASTM D1784 Cell Classification 12454. Valves shall be rated to 90 psi at 70 degrees F, as manufactured by Asahi/America, Inc.

Wafer Check Valves



Dimensions (Sizes 10" & 12")

NOMINAL SIZE		Wafer			
		ANSI Class 150			
		A	B	C	D
10"	250mm	13.39	3.12	6.97	5.75
12"	300mm	16.14	3.38	8.54	7.09

Note: Dimensions are identical for Spring type

Minimum Opening Pressures

NOMINAL SIZE		Minimum Opening Pressure (PSI)			
		Without Spring		With Spring	
		Horizontal	Vertical	Horizontal	Vertical
10"	250mm	0.1	0.1	0.1	0.1
12"	300mm	0.1	0.1	0.1	0.1

Minimum Sealing Pressures

NOMINAL SIZE		Minimum Sealing Pressure (PSI)			
		Without Spring		With Spring	
		Horizontal	Vertical	Horizontal	Vertical
10"	250mm	1.0	1.0	1.0	1.0
12"	300mm	1.0	1.0	1.0	1.0

Press vs. Temp (PSI) Water Non-Shock

NOMINAL SIZE		PVC
		EPDM/FKM
		30F - 120F
10"	250mm	90
12"	300mm	90

Wt. (LBS)

NOMINAL SIZE		Weight (LBS)
10"	250mm	16
12"	300mm	25

Cv Values

NOMINAL SIZE		CV
10"	250mm	1750
12"	300mm	2620