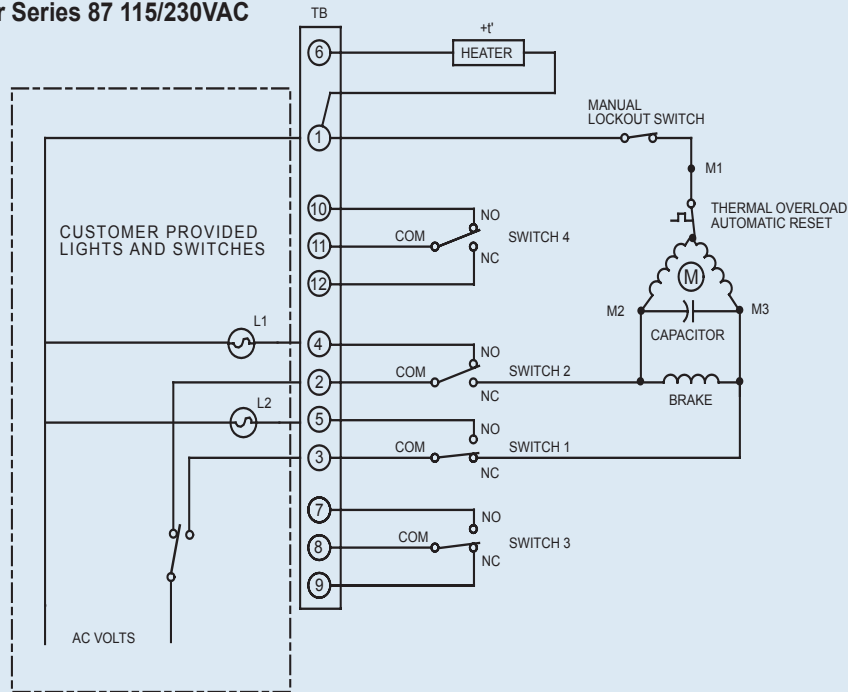


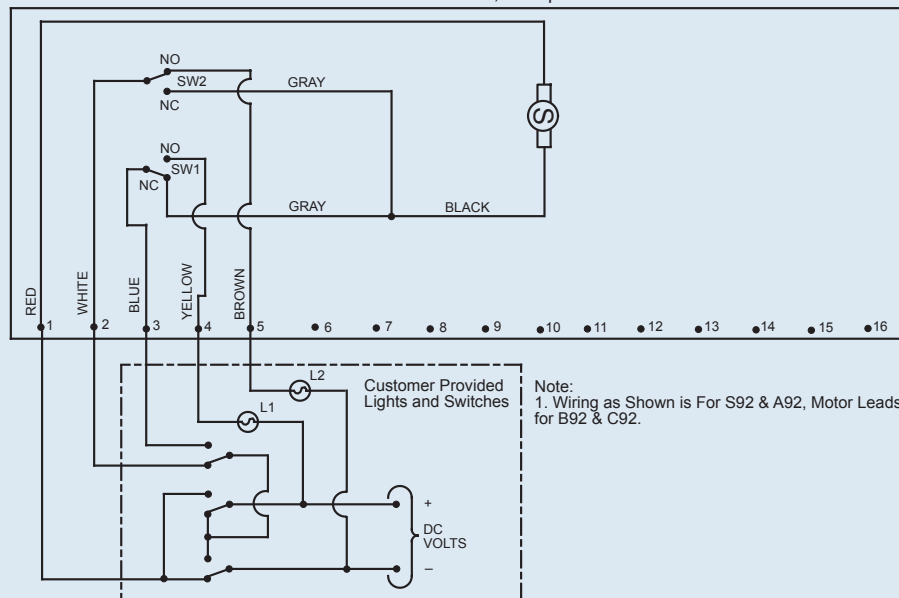
Series 92, 94 & 87 Wiring Schematics

Wiring Diagram for Series 87 115/230VAC



Wiring Diagram for 12 VDC & 24 VDC Units

Actuator Shown is Counter-Clockwise Extreme of Travel, or "Open" Position



Note:
1. Wiring as Shown is For S92 & A92, Motor Leads are Reversed for B92 & C92.