

Parts List (Typical SS Series Actuator)

PARTS		
NO.	DESCRIPTION	MATERIAL
1	End Cap Bolt	316 Stainless Steel
2	Double Acting End Cap	316 Stainless Steel
3	End Cap O-Ring	NBR
4	Piston	Polyarilamide or Cataphoresis Coated Aluminum
5	Actuator Body	316 Stainless Steel
6	Washer	Polyamide 6
7	Shaft Retaining Ring	Stainless Steel
8	Position Indicator	Polyamide
9	Piston Guide	Polyacetal or PTFE/Bronze
10	Guide Ring	Polyacetal or PTFE/Bronze
11	Piston O-Ring	NBR
12	Upper Shaft O-Ring	NBR
13	Lower Shaft O-Ring	NBR
14	Spring Set	Cataphoresis Coated DIN-17223-C
15	Spring Return End Cap	316 Stainless Steel
16	Shaft	316 Stainless Steel
17	Pinion Gear	Aluminum Alloy
19	End Cap Gasket	NBR
20	Air Connection Plate	316 Stainless Steel
21	Bolt for Air Connection Plate	316 Stainless Steel
22	Adjustment Bolt	316 Stainless Steel
23	Adjustment Locknut	316 Stainless Steel
24	Bushing	316 Stainless Steel
25	Travel Stop O-Ring	NBR
26	Cam	316 Stainless Steel

Torque Air to Spring (Inch-Pounds)

MODEL	Spring Set	40 psi		60 psi		80 psi		100 psi		120 psi		Spring Torque	
		Start	End	Start	End	Start	End	Start	End	Start	End	Start	End
BS79PS	1	60	42	100	81	159	140	-	-	-	-	62	42
	2	37	10	77	50	136	109	196	168	-	-	93	65
	3	-	-	51	27	111	86	170	144	209	184	116	91
	4*	-	-	-	-	102	61	160	119	200	159	141	100
CS79PS	1	176	126	289	238	458	407	-	-	-	-	165	115
	2	-	-	267	157	397	325	566	494	-	-	248	175
	3	-	-	-	-	319	215	488	383	600	496	358	253
	4*	-	-	-	-	287	160	455	328	567	441	412	286
DS79PS	1	466	317	725	577	1113	965	-	-	-	-	371	222
	2	342	95	601	354	989	743	1378	1131	-	-	593	346
	3	-	-	453	132	841	519	1230	908	1489	1167	816	495
	4*	-	-	-	-	767	421	1156	810	1414	1068	914	568
ES79PS	1	1520	1174	2236	1890	3311	2965	-	-	-	-	830	484
	2	1174	689	1890	1405	2965	2478	4038	3553	-	-	1315	830
	3	759	205	1474	921	2549	1996	3622	3069	4338	3785	1799	1246
	4*	-	-	1128	298	2203	1373	3276	2446	3992	3162	2422	1592

*Number of springs in standard unit

Torque Air to Air (Inch-Pounds)

Model	Supply Pressure (psi)				
	40	60	80	100	120
BS79P	103	142	202	261	300
CS79P	291	404	573	741	853
DS79P	688	947	1335	1724	1982
ES79P	2005	2720	3795	4868	5584

Cycle Time (Seconds)

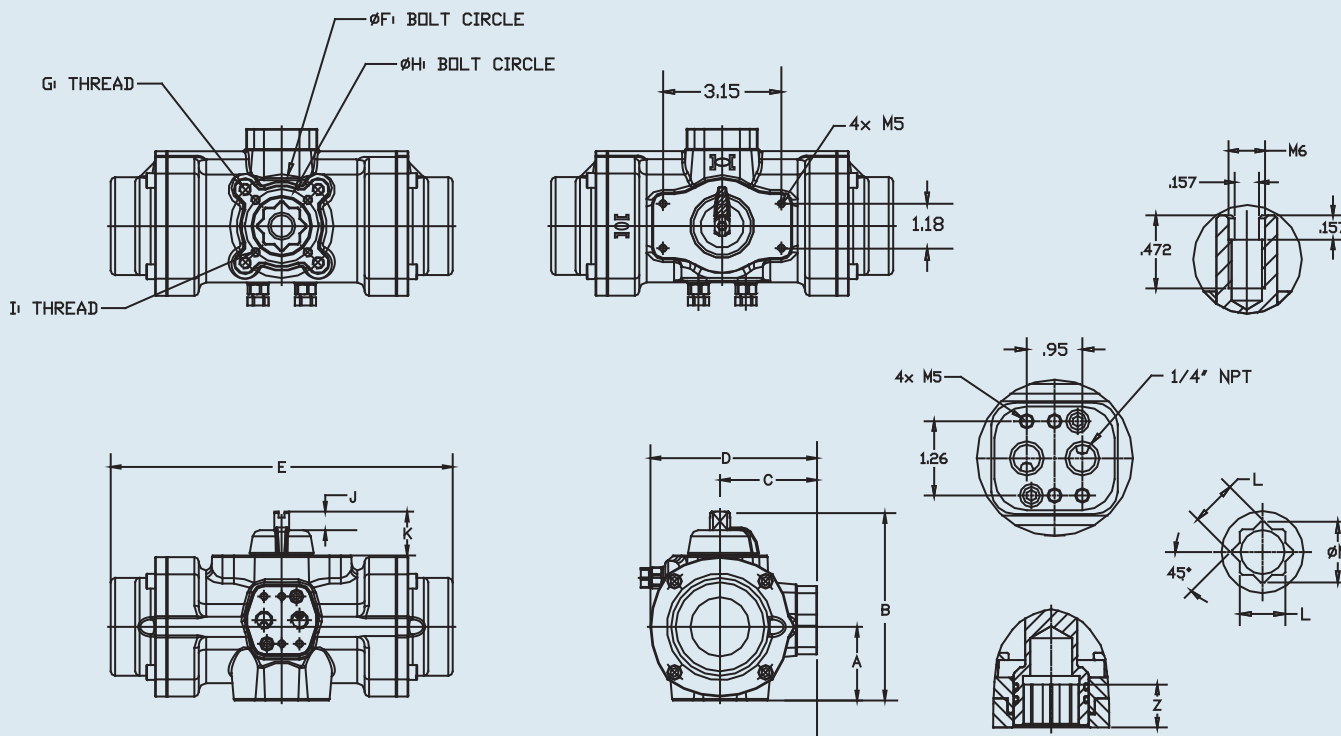
Model	Air to Air		Air to Spring	
	Open Port A	Closed Port B	Open Port A	Closed Port B
BS79P	0.15	0.15	0.20	0.20
CS79P	0.25	0.25	0.30	0.30
DS79P	0.40	0.40	0.50	0.50
ES79P	0.60	0.60	1.20	1.20

Air Consumption (Cubic Inches)

Model	Air to Air		Air to Spring	
	Open Port A	Closed Port B	Open Port A	Closed Port B
BS79P	9.15	6.10	9.15	-
CS79P	21.36	19.53	21.36	-
DS79P	48.82	42.71	48.82	-
ES79P	125.09	115.94	125.09	-

Weight (Pounds)

Model	Air to Air	Air to Spring
BS79P	4.85	5.73
CS79P	10.36	12.34
DS79P	13.00	21.82
ES79P	39.45	55.98



Dimensions (IN.)

Model	A	B	C	D	E		F	G	H	I	J	K	L	M	Z
					A-A	A-S									
BS79P	1.77	4.37	2.17	3.58	5.47	6.30	-	-	1.97	M5 x 8mm DEEP	.43	1.18	.55	.75	.59
CS79P	1.96	4.96	2.58	4.43	7.80	9.09	2.76	M8 x 12mm DEEP	1.97	M6 x 9mm DEEP	.43	1.18	.67	.91	.59
DS79P	2.80	6.30	3.19	5.47	10.12	12.13	2.76	M8 X 12mm DEEP	1.97	M6 x 9mm DEEP	.43	1.18	.86	1.14	.75
ES79P	3.78	8.31	4.05	7.30	13.78	18.82	4.02	M10 x 15mm DEEP	2.76	M8 x 12mm DEEP	.43	1.18	1.06	1.44	1.18