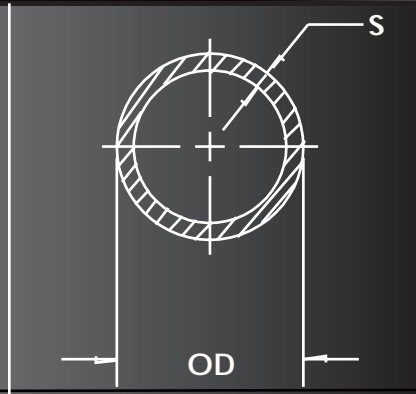
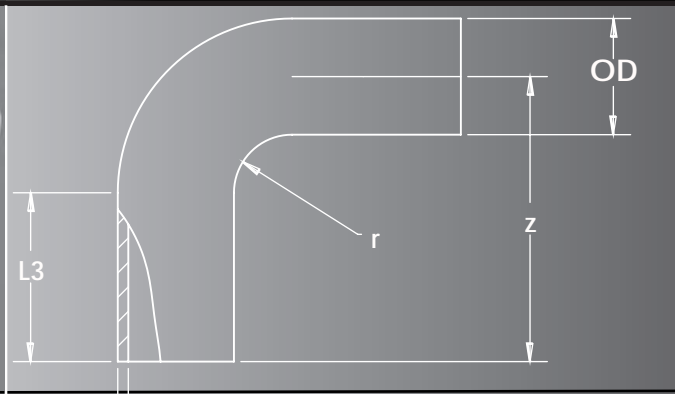


High Purity Piping Systems Dimensional Guide

Purad™ UHP PVDF Piping System



Purad™ Dimensional Guide

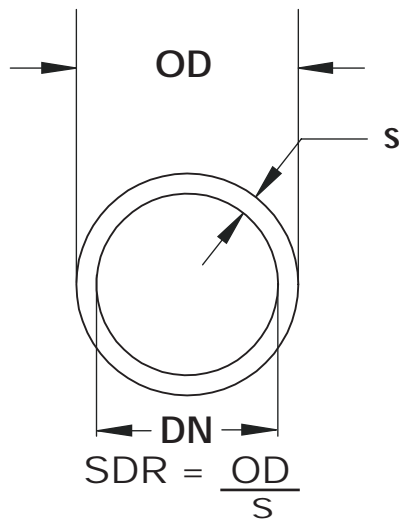
High Purity Piping systems engineered to meet the most demanding applications

Together, with our internationally recognized partner, Agru, Asahi/America provides the most comprehensive and technologically advanced high purity piping systems available. Purad™ Ultra High Purity PVDF, PolyPure™ Natural Polypropylene and PP-Pure™ Pigmented Polypropylene offer more sizes, fittings and pressure ratings than from any other single source. This extensive product offering is supported by an experienced and knowledgeable group of staff engineers, technicians and sales agents, all ready to assist you with your application's requirements.

Note to this Guide:

All the systems are metric sized based on Standard Dimension Ratio or SDR pipe sizes. All systems, regardless of material, maintain a constant pipe and fitting OD. Imperial (inch) ODs are provided as nominal sizes only.

Within the SDR System, nominal pressure ratings vary according to material but not OD. Pressure ratings generally remain constant within material and SDR classification. For example: all SDR21 PVDF pipe and fittings are rated to 16 bar or 230psi. Exceptions, if any, may be found in cases where valves or threads carry ratings independent of SDR sizing.



Purad™ PVDF

SDR21, PN 16/230psi, Sizes 20-280mm
SDR33, PN 10/150psi, Sizes 90-315mm



PolyPure™ Natural PP

SDR11, PN 10/150psi, Sizes 20-110mm



PP-Pure™ Pigmented PP

SDR11, PN 10/150psi, Sizes 20-315mm

AGRU CAD CD



Agru has released Agru CAD, a CAD part file generation software for their piping systems. This software allows users to download part models (drawings) in a wide variety of file formats. Copies of Agru CAD are available FREE of charge upon request, Please email us at asahi@asahi-america.com to request your copy. Use code PUB60070 when ordering.

Please note this software is compatible with our Purad™ PVDF, PolyPure™ PPN, PP-Pure™, Proline™ PP and Ultra Proline™ ECTFE (Halar®) piping systems.

Size Comparison of Common Process Piping Systems

Nominal Pipe Size	SDR11		SDR21		SDR33		SCH40		SCH80		SS Tube	
	OD (INCH)	ID (INCH)	OD (INCH)	ID (INCH)	OD (INCH)	ID (INCH)	OD (INCH)	ID (INCH)	OD (INCH)	ID (INCH)	OD (INCH)	ID (INCH)
1/2	0.787	0.591	0.787	0.644	-	-	0.840	0.622	0.840	0.546	0.50	0.37
3/4	0.984	0.766	0.984	0.830	-	-	1.050	0.82	1.050	0.742	0.75	0.62
1	1.260	1.020	1.260	1.071	-	-	1.315	1.049	1.315	0.957	1.00	0.87
1-1/4	1.575	1.288	1.575	1.381	-	-	1.660	1.380	1.660	1.278	-	-
1-1/2	1.969	1.611	1.969	1.734	-	-	1.900	1.610	1.900	1.500	1.50	1.37
2	2.480	2.029	2.480	2.244	-	-	2.375	2.067	2.375	1.939	2.00	1.87
2-1/2	2.953	2.416	2.953	2.672	-	-	2.875	2.469	2.875	2.323	2.50	2.37
3	3.543	2.899	3.543	3.206	3.543	3.329	3.500	3.068	3.500	2.900	3.00	2.87
4	4.331	3.543	4.331	3.918	4.331	4.068	4.500	4.026	4.500	3.826	4.00	3.84
6	6.299	5.154	6.299	5.699	6.299	5.917	5.563	5.047	5.563	4.813	6.00	5.78
8	7.874	6.442	7.874	7.124	7.874	7.397	6.625	6.065	6.625	5.761	-	-
9	8.858	7.248	8.858	8.015	8.858	8.321	8.625	7.981	8.625	7.625	-	-
10	9.843	8.053	9.843	8.905	9.843	9.246	10.75	10.020	10.75	9.564	-	-
12	12.402	10.147	12.402	11.220	12.402	11.650	12.75	11.938	12.75	11.376	-	-

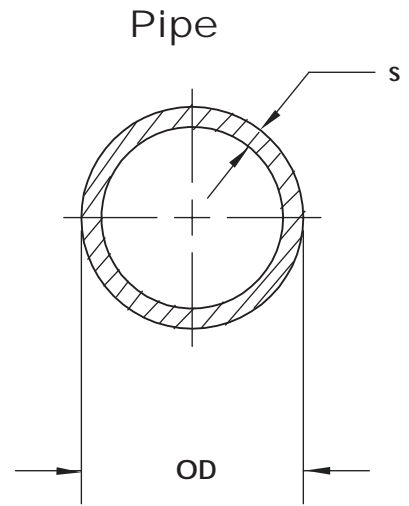
Purad™
Ultra High Purity PVDF

Available SDR and Pressure Rating by Material Type

Material Type	SDR11	SDR21	SDR33
Purad™ PVDF		PN16/230psi 20-280mm	PN10/150psi 90-315mm
PolyPure™ PPn	PN10/150psi 20-110mm		
PP-Pure™ PP	PN10/150psi 20-315mm		

Purad™ Dimensional Guide

Purad™
Ultra High Purity PVDF



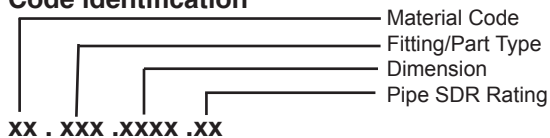
Pipe 5 meter-16.4' length

OD		SDR 21 / PN 16 / 230 PSI					SDR 33 / PN 10 / 150 PSI				
mm	inch	OD	s	Weight (lbs/m)	Asahi P/N	Agru Code	OD	s	Weight (lbs/m)	Asahi P/N	Agru Code
20	1/2	0.787	0.075	0.463	5401005	35.705.0020.21	-	-	-	-	-
25	3/4	0.984	0.075	0.595	5401007	35.705.0025.21	-	-	-	-	-
32	1	1.260	0.094	0.970	5401010	35.705.0032.21	-	-	-	-	-
40	1-1/4	1.575	0.094	1.213	5401012	35.705.0040.21	-	-	-	-	-
50	1-1/2	1.969	0.118	1.874	5401015	35.705.0050.21	-	-	-	-	-
63	2	2.480	0.118	2.403	5401020	35.705.0063.21	-	-	-	-	-
75	2-1/2	2.953	0.142	3.418	5401025	35.705.0075.21	-	-	-	-	-
90	3	3.543	0.169	4.895	5403030	35.705.0090.21	3.543	0.110	3.263	5401030	35.705.0090.33
110	4	4.331	0.209	7.321	5403040	35.705.0110.21	4.331	0.134	4.851	5401040	35.705.0110.33
160	6	6.299	0.303	15.347	5403060	35.705.0160.21	6.299	0.193	10.011	5401060	35.705.0160.33
200	8	7.874	0.378	23.682	5403080	35.705.0200.21	7.874	0.244	15.854	5401080	35.705.0200.33
225	9	8.858	0.425	30.142	5403090	35.705.0225.21	8.858	0.272	19.735	5401090	35.705.0225.33
250	10	9.843	0.469	36.890	5403100	35.705.0250.21	9.843	0.303	24.453	5401100	35.705.0250.33
315	12	12.402	-	-	-	-	12.402	0.382	38.698	5401120	35.705.0315.33

Pipe & Fitting OD size is metric, inch OD provided as nominal size only
PN10/150psi & PN16/230psi pressure rating

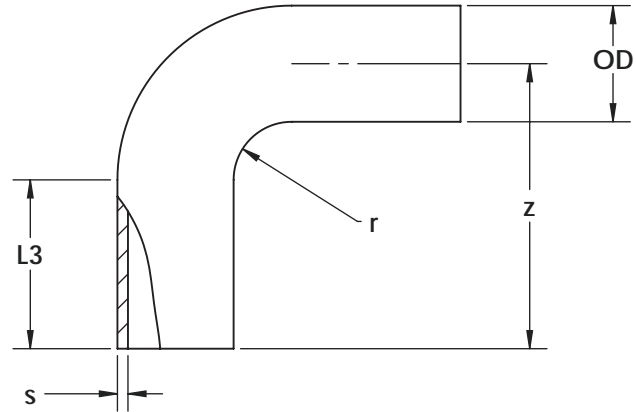
Components listed in this section contain both Agru Code identifications and Asahi/America part numbers. Either can be used to identify the requested component. When using the Agru Code, be sure to preface the numbers with the Material Identification Code.

Code identification



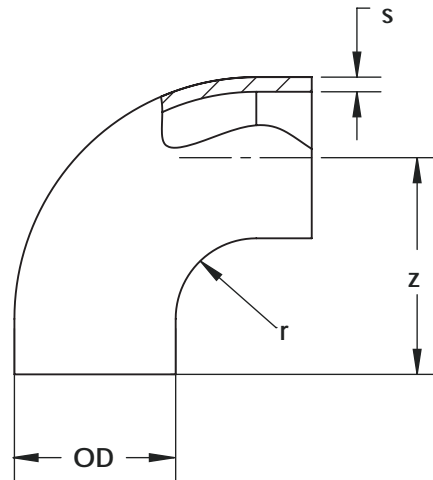
Example:

- Purad Pipe, OD 63mm, SDR21 Code **35.705.0063.21**



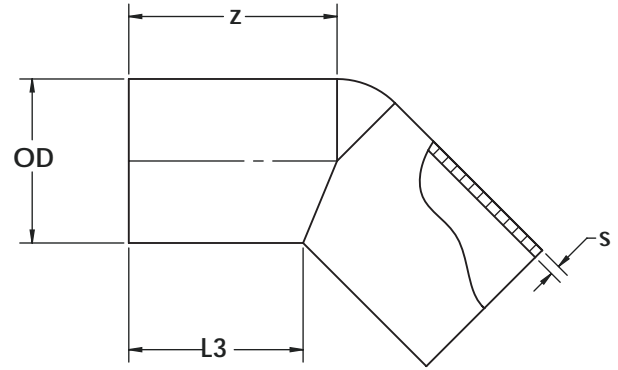
Extended Leg 90° Elbow

OD		Dimensions			SDR 21 / PN 16 / 230 PSI				SDR 33 / PN 10 / 150 PSI			
mm	inch	z	r	L3	s	Weight (lbs)	Asahi P/N	Agru Code	s	Weight (lbs)	Asahi P/N	Agru Code
20	1/2	2.008	0.787	1.299	0.075	0.044	5402005	35.068.0020.21	-	-	-	-
25	3/4	2.205	0.984	1.299	0.075	0.066	5402007	35.068.0025.21	-	-	-	-
32	1	2.480	1.260	1.299	0.094	0.132	5402010	35.068.0032.21	-	-	-	-
40	1-1/4	2.835	1.575	1.417	0.094	0.176	5402012	35.068.0040.21	-	-	-	-
50	1-1/2	3.307	1.969	1.417	0.118	0.309	5402015	35.068.0050.21	-	-	-	-
63	2	3.819	2.480	1.378	0.118	0.463	5402020	35.068.0063.21	-	-	-	-
75	2-1/2	3.937	2.953	1.102	0.142	0.684	5402025	35.068.0075.21	-	-	-	-
90	3	4.843	3.543	1.339	0.169	1.191	5402030	35.068.0090.21	0.110	0.882	5429030	35.068.0090.33
110	4	5.591	4.331	1.339	0.209	2.161	5402040	35.068.0110.21	0.134	1.566	5429040	35.068.0110.33



90° Elbow

OD		Dimensions			SDR 21 / PN 16 / 230 PSI				SDR 33 / PN 10 / 150 PSI			
mm	inch	z	r	s	Weight (lbs)	Asahi P/N	Agru Code	s	Weight (lbs)	Asahi P/N	Agru Code	
160	6	7.131	6.186	0.303	4.642	5410060	35.001.0160.21	0.193	3.410	5407060	35.001.0160.33	
200	8	8.550	7.722	0.378	8.712	5410080	35.001.0200.21	0.244	6.402	5407080	35.001.0200.33	
225	9	9.574	8.865	0.426	12.232	5410090	35.001.0225.21	0.272	8.602	5407090	35.001.0225.33	
250	10	11.308	9.850	0.469	17.908	5410100	35.001.0250.21	0.303	12.870	5407100	35.001.0250.33	
315	12	13.317	11.820	-	-	-	-	0.382	22.110	5407120	35.001.0315.33	

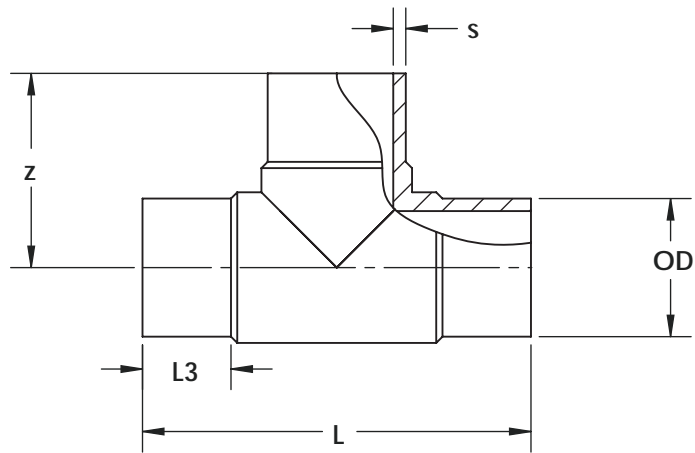


45° Elbow

OD		Dimensions			SDR 21 / PN 16 / 230 PSI			SDR 33 / PN 10 / 150 PSI			
mm	inch	z	L3	s	Weight (lbs)	Asahi P/N	Agru Code	s	Weight (lbs)	Asahi P/N	Agru Code
20	1/2	1.694	1.537	0.075	0.044	5414005	35.060.0020.21	-	-	-	-
25	3/4	1.773	1.576	0.075	0.066	5414007	35.060.0025.21	-	-	-	-
32	1	2.049	1.812	0.095	0.110	5414010	35.060.0032.21	-	-	-	-
40	1-1/4	2.285	1.970	0.095	0.176	5414012	35.060.0040.21	-	-	-	-
50	1-1/2	2.600	2.206	0.118	0.286	5414015	35.060.0050.21	-	-	-	-
63	2	2.955	2.443	0.118	0.418	5414020	35.060.0063.21	-	-	-	-
75	2-1/2	1.891	1.261	0.142	0.308	5414025	35.060.0075.21	-	-	-	-
90	3	2.325	1.418	0.169	0.572	5416030	35.060.0090.21	0.110	0.882	5429030	35.060.0090.33
110	4	2.679	1.773	0.209	1.012	5416040	35.060.0110.21	0.134	1.566	5429040	35.060.0110.33
160	6	4.058	2.561	0.303	3.190	5416060	35.060.0160.21	0.193	2.178	5429060	35.060.0160.33
200	8	6.000	4.375	0.378	3.158	5416080	35.060.0200.21	0.244	2.105	5414080	35.060.0200.33
225	9	6.000	4.000	0.425	4.909	5416090	35.060.0225.21	0.272	3.273	5414090	35.060.0225.33
250	10	6.000	5.500	0.469	7.504	5416100	35.060.0250.21	0.303	5.003	5414100	35.060.0250.33
315	12	8.000	5.500	0.590	9.045	5416120	35.060.0315.21	0.382	6.030	5414120	35.060.0315.33

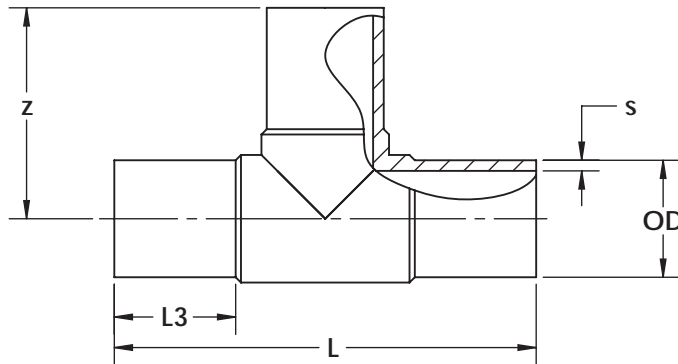
IR/Butt Fittings

Purad™ Dimensional Guide



Tee

OD		Dimensions			SDR 21 / PN 16 / 230 PSI				SDR 33 / PN 10 / 150 PSI			
mm	inch	z	L	L3	s	Weight (lbs)	Asahi P/N	Agru Code	s	Weight (lbs)	Asahi P/N	Agru Code
20	1/2	1.378	2.756	0.591	0.075	0.066	5418005	35.006.0020.21	-	-	-	-
25	3/4	1.575	3.150	0.591	0.075	0.088	5418007	35.006.0025.21	-	-	-	-
32	1	1.772	3.504	0.669	0.094	0.154	5418010	35.006.0032.21	-	-	-	-
40	1-1/4	1.969	3.937	0.630	0.094	0.198	5418012	35.006.0040.21	-	-	-	-
50	1-1/2	2.362	4.724	0.906	0.118	0.375	5418015	35.006.0050.21	-	-	-	-
63	2	2.953	5.866	1.102	0.118	0.595	5418020	35.006.0063.21	-	-	-	-
75	2-1/2	3.425	6.850	1.102	0.142	0.904	5418025	35.006.0075.21	-	-	-	-
90	3	3.622	7.126	1.299	0.169	1.389	5421030	35.006.0090.21	0.110	1.080	5418030	35.006.0090.33
110	4	4.331	8.780	1.299	0.209	2.646	5421040	35.006.0110.21	0.134	2.073	5418040	35.006.0110.33
160	6	5.512	10.984	1.772	0.303	5.821	5421060	35.006.0160.21	0.193	4.432	5418060	35.006.0160.33
200	8	8.780	17.559	3.504	0.378	16.163	5421080	35.006.0200.21	0.244	12.260	5418080	35.006.0200.33
225	9	9.843	19.606	3.898	0.425	21.036	5421090	35.006.0225.21	0.272	15.435	5418090	35.006.0225.33
250	10	9.843	19.685	3.150	0.469	25.137	5421100	35.006.0250.21	0.303	24.255	5418100	35.006.0250.33
315	12	10.827	21.850	3.150	-	-	-	-	0.382	29.988	5418120	35.006.0315.33

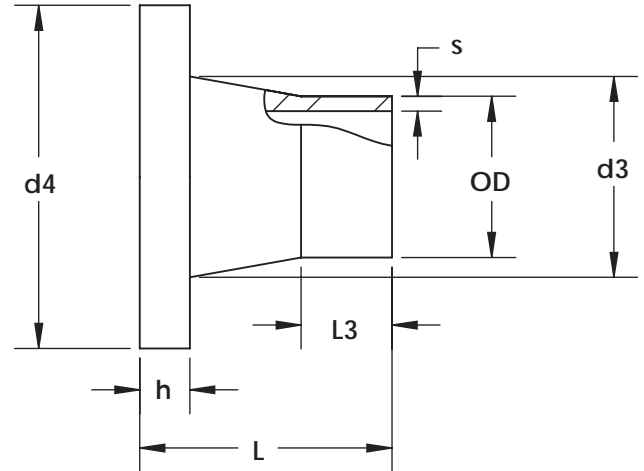


Extended Leg Tee

OD		Dimensions			SDR 21 / PN 16 / 230 PSI			
mm	inch	z	L	L3	s	Weight (lbs)	Asahi P/N	Agru Code
20	1/2	2.165	4.291	1.417	0.075	0.110	5419005	35.066.0020.21
25	3/4	2.323	4.606	1.575	0.075	0.154	5419007	35.066.0025.21
32	1	2.835	5.630	1.772	0.094	0.243	5419010	35.066.0032.21

Purad™
 Ultra High Purity PVDF

Purad™
Ultra High Purity PVDF



Stub End* (Flange Adapter)

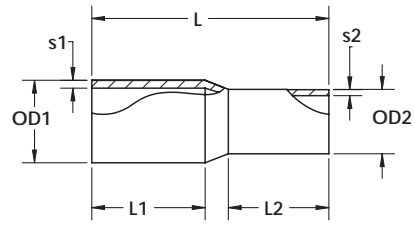
OD		Dimensions					SDR 21 / PN 16 / 230 PSI				SDR 33 / PN 10 / 150 PSI			
mm	inch	h	L	L3	d3	d4	s	Weight (lbs)	Asahi P/N	Agru Code	s	Weight (lbs)	Asahi P/N	Agru Code
20	1/2	0.236	1.970	1.221	1.064	1.773	0.075	0.066	5430005	35.012.2020.21	-	-	-	-
25	3/4	0.256	1.969	1.181	1.299	2.283	0.075	0.110	5430007	35.012.2025.21	-	-	-	-
32	1	0.276	1.969	1.024	1.575	2.677	0.094	0.154	5430010	35.012.2032.21	-	-	-	-
40	1 1/4	0.315	1.969	0.866	1.969	3.071	0.094	0.221	5430012	35.012.2040.21	-	-	-	-
50	1-1/2	0.354	1.969	0.866	2.402	3.307	0.118	0.287	5430015	35.012.2050.21	-	-	-	-
63	2	0.394	1.969	0.709	2.953	3.898	0.118	0.397	5430020	35.012.2063.21	-	-	-	-
75	2-1/2	0.433	1.969	0.709	3.504	4.685	0.142	0.551	5430025	35.012.2075.21	-	-	-	-
90	3	0.433	3.150	1.299	4.134	5.079	0.169	0.860	5470030	35.012.2090.21	0.110	0.84	5430030	35.012.1090.33
110	4	0.472	3.150	1.496	4.921	6.063	0.209	1.213	5470040	35.012.2110.21	0.134	1.26	5430040	35.012.1110.33
160	6	0.709	3.150	1.339	6.890	8.346	0.303	2.536	5470060	35.012.2160.21	0.193	2.07	5430060	35.012.1160.33
200	8	0.945	3.937	1.417	9.134	10.433	0.378	5.292	5470080	35.012.2200.21	0.244	4.28	5430080	35.012.1200.33
225	9	0.945	3.937	1.811	9.252	10.433	0.425	4.653	5470090	35.012.2225.21	0.272	5.91	5430090	35.012.0225.33
250	10	0.984	3.937	1.378	11.220	12.598	0.469	7.828	5470100	35.012.2250.21	0.303	6.83	5430100	35.012.1250.33
315	12	0.787	3.937	1.575	13.189	14.570	-	7.034	5470120	35.012.2280.21	0.382	7.65	5430120	35.012.1315.33

*Requires backing ring.

IR/Butt Fittings

Purad™ Dimensional Guide

Extended Leg Concentric Reducer

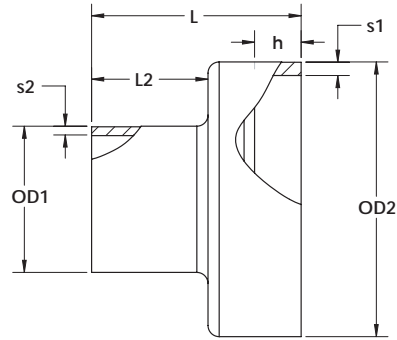


Purad™
Ultra High Purity PVDF

OD		Dimensions					SDR 21 / PN 16 / 230 PSI		
mm	inch	L	L1	L2	s1	s2	Weight (lbs)	Asahi P/N	Agro Code
25/20	3/4 x 1/2	1.970	0.788	0.788	0.075	0.075	0.044	5424101	35.067.2520.21
32/20	1 x 1/2	1.970	0.729	0.749	0.095	0.075	0.044	5424130	35.067.3220.21
32/25	1 x 3/4	1.970	0.788	0.788	0.095	0.075	0.044	5424131	35.067.3225.21
40/20	1-1/4 x 1/2	2.167	0.788	0.788	0.095	0.075	0.066	5424166	35.067.4020.21
40/25	1-1/4 x 3/4	2.167	0.788	0.788	0.095	0.075	0.066	5424167	35.067.4025.21
40/32	1-1/4 x 1	2.167	0.788	0.788	0.095	0.106	0.066	5424168	35.067.4032.21
50/20	1-1/2 x 1/2	2.364	0.906	0.788	0.118	0.075	0.088	5424208	35.067.5020.21
50/25	1-1/2 x 3/4	2.364	0.946	0.788	0.118	0.075	0.088	5424210	35.067.5025.21
50/32	1-1/2 x 1	2.364	0.985	0.788	0.118	0.095	0.110	5424211	35.067.5032.21
50/40	1-1/2 x 1-1/4	2.364	0.985	0.867	0.118	0.095	0.110	5424212	35.067.5040.21
63/25	2 x 3/4	2.955	0.985	0.788	0.075	0.075	0.154	5424248	35.067.6325.21
63/32	2 x 1	2.561	0.985	0.709	0.118	0.095	0.154	5424249	35.067.6332.21
63/40	2 x 1-1/4	2.561	1.024	0.867	0.118	0.095	0.154	5424250	35.067.6340.21
63/50	2 x 1-1/2	2.561	0.985	0.946	0.118	0.118	0.154	5424251	35.067.6350.21
75/50	2-1/2 x 1-1/2	5.831	2.482	2.246	0.142	0.118	0.462	5424291	35.067.7550.21
75/63	2-1/2 x 2	5.871	2.561	2.364	0.142	0.118	0.462	5424292	35.067.7563.21
90/50	3 x 1-1/2	3.546	1.182	0.985	0.118	0.118	0.374	5424332	35.067.9050.21
90/63	3 x 2	6.304	2.758	2.325	0.169	0.118	0.638	5424338	35.067.9063.21
90/75	3 x 2-1/2	6.383	2.955	2.443	0.169	0.142	0.726	5424339	35.067.9075.21
110/63	4 x 2	4.058	3.270	2.246	0.209	0.118	0.572	5424420	35.067.1163.21
110/90	4 x 3	7.092	3.113	2.837	0.209	0.169	1.232	5424422	35.067.1190.21
140/63	5 x 2	5.240	1.576	1.103	0.264	0.118	1.144	-	35.067.1463.21
140/110	5 x 4	4.334	1.655	1.576	0.264	0.209	1.188	-	35.067.1411.21
160/110	6 x 4	9.062	3.743	3.507	0.303	0.209	2.860	5424532	35.067.1611.21
160/140	6 x 5	8.904	3.743	3.782	0.303	0.264	3.278	-	35.067.1614.21
225/160	9 x 6	6.304	1.261	1.379	0.426	0.303	3.938	5424606	35.067.2216.21
250/160	10 x 6	7.053	1.418	1.418	0.469	0.303	5.082	5424627	35.067.2516.21
250/225	10 x 8	7.092	1.694	1.103	0.469	0.426	6.028	5424629	35.067.2522.21
OD		Dimensions					SDR 33 x SDR 21 / PN 10 x 16 / 150 x 230 PSI		
mm	inch	L	L1	L2	s1	s2	Weight (lbs)	Asahi P/N	Agro Code
90/63	3 x 2	6.304	2.758	2.325	0.110	0.118	0.506	5494338	35.067.9063.31
110/63	4 x 2	4.058	3.270	2.246	0.134	0.118	0.440	5494420	35.067.1163.31
160/110	6 x 4	9.062	3.743	3.507	0.193	0.209	2.420	5494532	35.067.1611.31
OD		Dimensions					SDR 33 / PN 10 / 150 PSI		
mm	inch	L	L1	L2	s1	s2	Weight (lbs)	Asahi P/N	Agro Code
110/90	4 x 3	7.092	3.113	2.837	0.134	0.106	1.012	5497422	35.067.1190.33
140/110	5 x 4	4.334	1.655	1.576	0.169	0.138	0.902	-	35.067.1411.33
160/110	6 x 4	9.062	3.743	3.507	0.193	0.134	1.980	5497532	35.067.1611.33
160/140	6 x 5	8.904	3.743	3.782	0.193	0.169	2.244	-	35.067.1614.33
225/160	9 x 6	6.304	1.261	1.379	0.272	0.193	2.662	5497606	35.067.2216.33
250/160	10 x 6	7.053	1.418	1.418	0.303	0.193	3.784	5497627	35.067.2516.33
250/225	10 x 8	7.092	1.694	1.103	0.303	0.272	4.070	5497629	35.067.2522.33
315/160	12 x 6	7.092	1.655	1.458	0.382	0.193	9.900	5497659	35.067.3116.33
315/250	12 x 10	7.092	1.655	1.458	0.382	0.303	11.000	5497630	35.067.3125.33

Purad™
Ultra High Purity PVDF

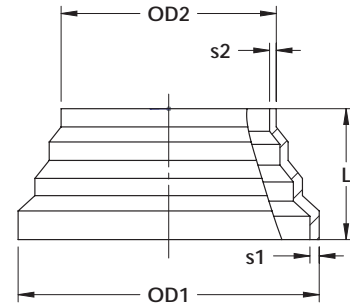
Machined Flush Reducer



OD		Dimensions			SDR 21 / PN 16 / 230 PSI		
mm	inch	L	L2	h	s1	s2	Asahi P/N
40/20	1-1/4x 1/2	2.250	1.250	0.500	0.094	0.075	5448166
40/25	1-1/4x3/4	2.250	1.250	0.500	0.094	0.075	5448167
40/32	1-1/4x1	2.250	1.250	0.500	0.094	0.094	5448168
50/20	1-1/2x1/2	2.250	1.250	0.500	0.118	0.075	5448208
50/25	1-1/2x3/4	2.250	1.250	0.500	0.118	0.075	5448210
50/32	1-1/2x1	2.250	1.250	0.500	0.118	0.094	5448211
50/40	1-1/2x1-1/4	2.250	1.250	0.500	0.118	0.094	5448212
63/20	2x1/2	2.250	1.250	0.500	0.118	0.075	5448246
63/25	2x3/4	2.250	1.250	0.500	0.118	0.075	5448248
63/40	2x1-1/4	2.250	1.250	0.500	0.118	0.094	5448250
63/50	2x1-1/2	2.250	1.250	0.500	0.118	0.118	5448251
75/32	2-1/2x1	2.250	1.250	0.500	0.142	0.094	5448289
75/40	2-1/2x1-1/4	2.250	1.250	0.500	0.142	0.094	5448290
75/50	2-1/2x1-1/2	2.250	1.250	0.500	0.142	0.118	5448291
75/63	2-1/2x2	2.250	1.250	0.500	0.142	0.118	5448292
90/20	3x1/2	2.250	1.250	0.500	0.169	0.075	5448332
90/25	3x3/4	2.250	1.250	0.500	0.169	0.075	5448333
90/32	3x1	2.250	1.250	0.500	0.169	0.094	5448336
90/40	3x1-1/4	2.250	1.250	0.500	0.169	0.094	5448335
90/50	3x1-1/2	2.250	1.250	0.500	0.169	0.118	5448337
110/20	4x1/2	2.250	1.250	0.500	0.134	0.075	54488399
110/25	4x3/4	2.250	1.250	0.500	0.264	0.075	5448404
110/32	4x1	2.250	0.880	0.630	0.264	0.094	5448401
110/40	4x1-1/4	2.250	1.250	0.500	0.264	0.094	5448412
110/50	4x1-1/2	2.250	1.250	0.500	0.134	0.118	5448415

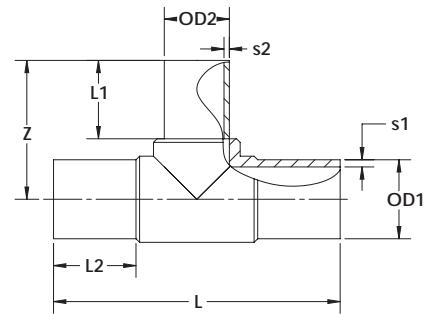
Machined Flush Reducer
(Continued)

OD		Dimensions			SDR 33 x SDR 21 / PN 10 x 16 / 150 x 230 PSI		
mm	inch	L	L2	h	s1	s2	Asahi P/N
90/20	3x1/2	2.250	1.250	0.500	0.110	0.075	5436332
90/25	3x3/4	2.250	1.250	0.500	0.110	0.075	5436333
90/32	3x1	2.250	1.250	0.500	0.110	0.094	5436336
90/40	3x1-1/4	2.250	1.250	0.500	0.110	0.094	5436335
90/50	3x1-1/2	2.250	1.250	0.500	0.110	0.118	5436337
110/20	4x1/2	2.250	1.250	0.500	0.135	0.075	5436399
110/25	4x3/4	2.250	1.250	0.500	0.135	0.075	5436404
110/32	4x1	2.250	1.250	0.630	0.135	0.094	5436401
110/40	4x1-1/4	2.250	1.250	0.500	0.135	0.094	5436412
110/50	4x1-1/2	2.250	1.250	0.500	0.135	0.118	5436415
160/32	6x1	2.250	1.250	0.500	0.195	0.094	5436516
200/63	8x2	2.250	1.250	0.500	0.244	0.118	5436581
200/90	8x3	2.250	1.250	0.500	0.244	0.169	5436582
200/110	8x4	2.250	1.250	0.630	0.244	0.264	5436583
200/160	8x6	2.250	1.250	0.500	0.244	0.303	5436585
OD		Dimensions			SDR 33 / PN 10 / 150 PSI		
mm	inch	L	L2	h	s1	s2	Asahi P/N
200/90	8x3	2.250	1.250	0.500	0.244	0.110	5438582
200/110	8x4	2.250	1.250	0.630	0.244	0.135	5438583
200/160	8x6	2.250	1.250	0.500	0.244	0.195	5438585



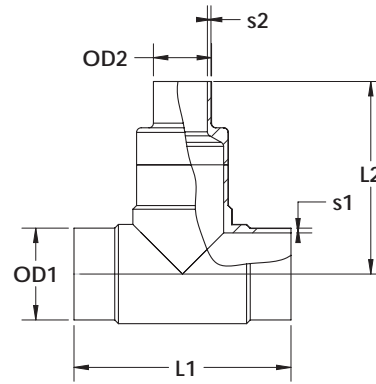
Stepped Concentric Reducer

OD		Dimensions			SDR 21 / PN 16 / 230 PSI			SDR 33 / PN 10 / 150 PSI		
mm	inch	L	s1	s2	Weight (lbs)	Asahi P/N	Agru Code	Weight (lbs)	Asahi P/N	Agru Code
110/63	4 x 2	2.559	0.209	0.118	0.420	5437420	35.007.1163.21	-	-	-
160/110	6 x 4	3.346	0.193	0.134	-	-	-	0.380	5437532	-
225/160	9 x 6	3.819	0.272	0.193	-	-	-	0.780	5437585	-
315/225	12 x 9	5.394	0.382	0.272	-	-	-	1.970	5437670	-



Reducing Tee

OD		Dimensions						SDR 21 / PN 16 / 230 PSI		
mm	inch	z	L	L1	L2	s1	s2	Weight (lbs)	Asahi P/N	Agru Code
63/32	2 x 1	2.913	5.866	1.102	1.063	0.118	0.094	0.507	5422249	065.6332.21
90/63	3 x 2	5.079	10.354	2.953	2.559	0.169	0.118	1.808	5422338	065.9063.21
110/63	4 x 2	5.906	12.283	3.346	2.559	0.209	0.118	2.867	5422420	065.1163.21
110/90	4 x 3	5.906	12.323	3.425	2.953	0.209	0.169	3.219	5422422	065.1190.21
160/63	6 x 2	6.890	13.228	3.937	2.559	0.303	0.118	6.417	5422530	065.1663.21
160/90	6 x 3	7.205	13.701	3.819	2.756	0.303	0.169	7.409	5422531	065.1690.21
160/110	6 x 4	7.283	13.583	3.780	3.189	0.303	0.209	7.982	5422532	065.1611.21
OD		Dimensions						SDR 33 X SDR 21 / PN 10 X 16 / 150 X 230 PSI		
mm	inch	z	L	L1	L2	s1	s2	Weight (lbs)	Asahi P/N	Agru Code
90/63	3 x 2	5.079	10.354	2.953	2.559	0.110	0.118	1.389	5420338	065.9063.31
110/63	4 x 2	5.906	12.402	3.346	2.559	0.134	0.118	2.029	5420420	065.1163.31
160/63	6 x 2	6.890	13.583	3.937	2.559	0.193	0.118	4.697	5420530	065.1663.31
160/90	6 x 3	7.205	13.701	3.819	2.756	0.193	0.169	5.667	5420531	065.1690.31
160/110	6 x 4	7.283	13.661	3.780	3.189	0.193	0.209	6.505	5420532	065.1611.31
OD		Dimensions						SDR 33 / PN 10 / 150 PSI		
mm	inch	z	L	L1	L2	s1	s2	Weight (lbs)	Asahi P/N	Agru Code
110/90	4 x 3	5.906	12.323	3.425	2.953	0.134	0.110	2.359	5431422	065.1190.33
160/90	6 x 3	7.205	13.701	3.780	2.756	0.193	0.110	4.366	5431531	065.1690.33
160/110	6 x 4	7.283	13.740	3.819	3.150	0.193	0.134	6.218	5431532	065.1611.33

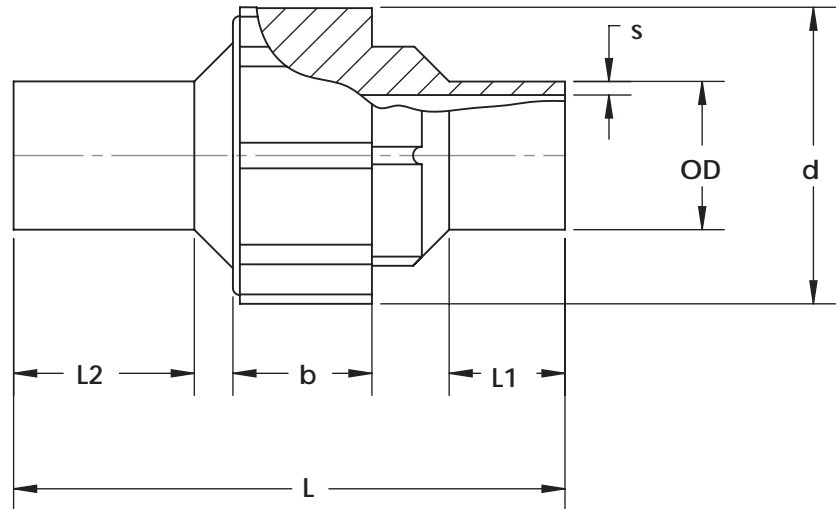


Fabricated Flush Reducing Tee

OD		Dimensions		SDR 21 / PN 16 / 230 PSI			SDR 33 / PN 10 / 150 PSI			SDR 33 / PN 10 / 150 PSI		
mm	inch	L1	L2	S1	S2	Asahi P/N	S1	S2	Asahi P/N	S1	S2	Asahi P/N
40/20	1-1/4X 1/2	3.937	3.878	0.094	0.075	5435166	-	-	-	-	-	-
40/25	1-1/4x3/4	3.937	4.075	0.094	0.075	5435167	-	-	-	-	-	-
40/32	1-1/4x1	3.937	4.272	0.094	0.094	5435168	-	-	-	-	-	-
50/20	1-1/2x1/2	4.724	3.878	0.118	0.075	5435208	-	-	-	-	-	-
50/25	1-1/2x3/4	4.724	4.075	0.118	0.075	5435210	-	-	-	-	-	-
50/32	1-1/2x1	4.724	4.272	0.118	0.094	5435211	-	-	-	-	-	-
50/40	1-1/2x1-1/4	4.724	4.469	0.118	0.094	5435212	-	-	-	-	-	-
63/20	2x1/2	5.866	3.878	0.118	0.075	5435246	-	-	-	-	-	-
63/25	2x3/4	5.866	4.075	0.118	0.075	5435248	-	-	-	-	-	-
63/40	2x1-1/4	5.866	4.469	0.118	0.094	5435250	-	-	-	-	-	-
63/50	2x1-1/2	5.866	4.862	0.118	0.118	5435251	-	-	-	-	-	-
75/32	2-1/2x1	6.850	4.272	0.142	0.094	5435289	-	-	-	-	-	-
75/40	2-1/2x1-1/4	6.850	4.469	0.142	0.094	5435290	-	-	-	-	-	-
75/50	2-1/2x1-1/2	6.850	4.862	0.142	0.118	5435291	-	-	-	-	-	-
75/63	2-1/2x2	6.850	5.453	0.142	0.118	5435292	-	-	-	-	-	-
90/20	3x1/2	7.126	3.878	0.169	0.075	5435332	0.110	0.075	5425332	-	-	-
90/25	3x3/4	7.126	4.075	0.169	0.075	5435333	0.110	0.075	5425333	-	-	-
90/32	3x1	7.126	4.272	0.169	0.094	5435336	0.110	0.094	5425336	-	-	-
90/40	3x1-1/4	7.126	4.469	0.169	0.094	5435335	0.110	0.094	5425335	-	-	-
90/50	3x1-1/2	7.126	4.862	0.169	0.118	5435337	0.110	0.118	5425337	-	-	-
110/20	4x1/2	8.780	3.878	0.134	0.075	5435399	0.135	0.075	5425399	-	-	-
110/25	4x3/4	8.780	4.075	0.264	0.075	5435404	0.135	0.075	5425404	-	-	-
110/32	4x1	8.780	4.272	0.264	0.094	5435401	0.135	0.094	5425401	-	-	-
110/40	4x1-1/4	8.780	4.469	0.264	0.094	5435412	0.135	0.094	5425412	-	-	-
110/50	4x1-1/2	8.780	4.862	0.134	0.118	5435415	0.135	0.118	5425415	-	-	-
160/32	6x1	10.984	4.272	-	-	-	0.195	0.094	5425516	-	-	-
200/63	8x2	17.559	5.453	-	-	-	0.244	0.118	5425581	-	-	-
200/90	8x3	17.559	7.622	-	-	-	0.244	0.169	5425582	0.244	0.110	5432582
200/110	8x4	17.559	6.831	-	-	-	0.244	0.264	5425583	0.244	0.135	5432583
200/160	8x6	17.559	8.262	-	-	-	0.244	0.303	5425585	0.244	0.195	5432585

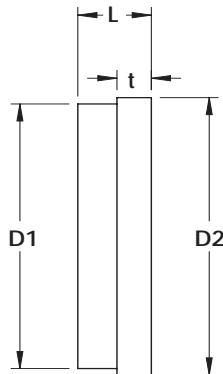
Purad™
 Ultra High Purity PVDF

Purad™
Ultra High Purity PVDF



Union - FKM

OD		Dimensions						SDR 21 / PN 16 / 230 PSI		
mm	inch	s	L	L1	L2	d	b	Weight (lbs)	Asahi P/N	Agro Code
20	1/2	0.075	4.213	0.945	1.398	1.850	0.945	0.198	5434005	35.024.0020.21
25	3/4	0.075	4.409	0.945	1.437	2.244	1.024	0.287	5434007	35.024.0025.21
32	1	0.094	4.685	0.984	1.547	2.520	1.181	0.397	5434010	35.024.0032.21
40	1-1/4	0.094	4.921	0.984	1.476	3.012	1.220	0.617	5434012	35.024.0040.21
50	1-1/2	0.118	5.118	0.984	1.575	3.504	1.378	0.816	5434015	35.024.0050.21
63	2	0.118	5.354	0.984	1.594	4.291	1.535	1.257	5434020	35.024.0063.21

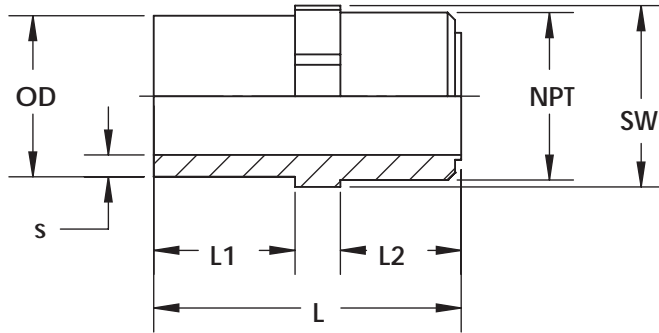


Union Blank*

OD		Dimensions				Type 24 Blank
mm	inch	D1	D2	L	t	Asahi P/N
20	1/2	0.720	1.060	0.440	0.180	5474005
25	3/4	1.500	1.420	0.430	0.180	5474007
32	1	1.770	1.630	0.580	0.180	5474010
40	1-1/4	1.770	1.630	0.580	0.180	5474012
50	1-1/2	2.450	2.300	0.650	0.280	5474015
63	2	3.090	2.910	0.885	0.330	5474020

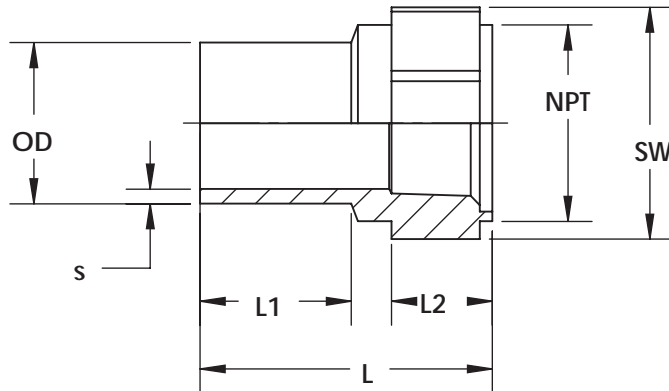
*Replaces L2 on unions.

Purad™
Ultra High Purity PVDF



Male Adapter

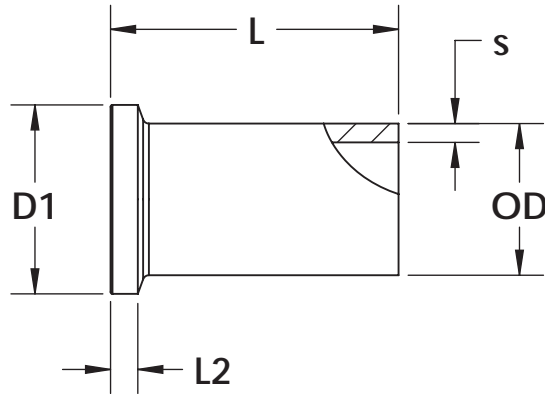
OD		Dimensions						SDR 21 / PN 16 / 230 PSI		
mm	inch	s	L	L1	L2	SW	NPT	Weight (lbs)	Asahi P/N	Agru Code
20	1/2	0.075	1.811	0.787	0.709	0.866	1/2	0.044	5447005	35.033.2021.21
25	3/4	0.075	2.008	0.906	0.787	1.063	3/4	0.044	5447007	35.033.2526.21
32	1	0.094	2.402	1.142	0.906	1.417	1	0.088	5447010	35.033.3233.21
40	1-1/4	0.094	2.598	1.142	1.063	1.811	1-1/4	0.154	5447012	35.033.4041.21
50	1-1/2	0.118	2.913	1.299	1.142	2.165	1-1/2	0.221	5447015	35.033.5051.21
63	2	0.118	3.150	1.378	1.220	2.559	2	0.331	5447020	35.033.6364.21



Female Adapter

OD		Dimensions						SDR 21 / PN 16 / 230 PSI		
mm	inch	s	L	L1	L2	SW	NPT	Weight (lbs)	Asahi P/N	Agru Code
20	1/2	0.075	1.811	0.787	0.630	1.260	1/2	0.066	5449005	35.032.2020.21
25	3/4	0.075	2.008	0.906	0.709	1.614	3/4	0.110	5449007	35.032.2525.21
32	1	0.094	2.283	1.142	0.787	1.811	1	0.154	5449010	35.032.3232.21
40	1-1/4	0.094	2.441	1.181	0.945	2.165	1-1/4	0.198	5449012	35.032.4040.21
50	1-1/2	0.118	2.677	1.339	0.945	2.756	1-1/2	0.375	5449015	35.032.5050.21
63	2	0.118	2.953	1.378	1.102	3.346	2	0.595	5449020	35.032.6363.21

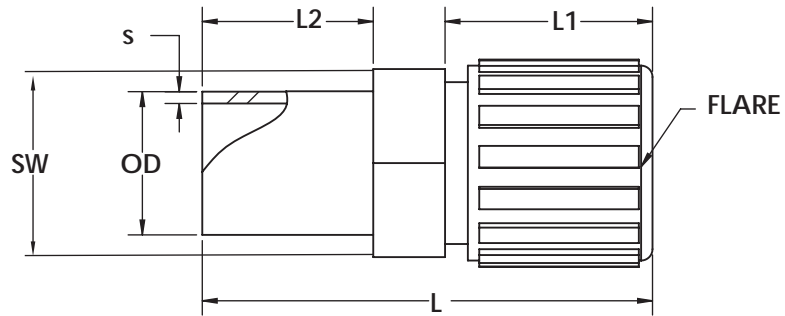
Purad™
Ultra High Purity PVDF



Sanitary Adapter

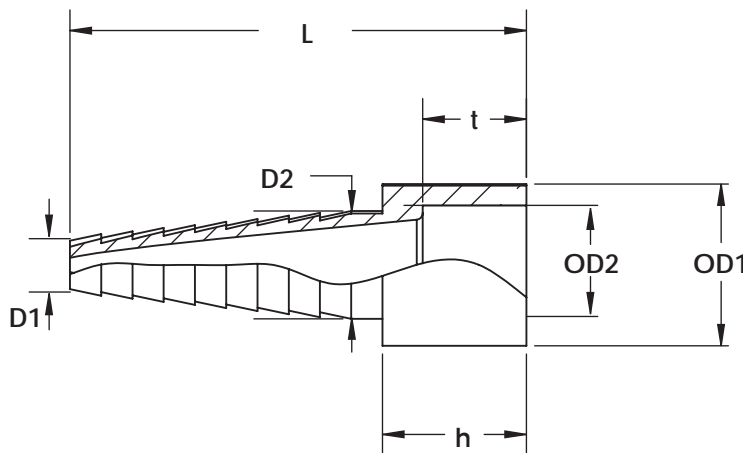
OD				Dimensions				SDR 11 /PN 10 / 230 PSI	
mm	inch	Gasket	Clamp	s	L	L2	D1	Asahi P/N	
20	1/2	3/4	1	0.098	1.500	0.142	0.984	5445005	
25	3/4	1	1	0.106	1.500	0.110	1.984	5445007	
32	1	1-1/4	1-1/2	0.114	1.500	0.110	1.984	5445010	
40	1-1/4	1-1/2	1-1/2	0.146	1.500	0.110	1.984	5445012	
50	1-1/2	2	2	0.181	1.500	0.110	2.490	5445015	
63	2	2-1/2	2-1/2	0.228	1.500	0.110	2.990	5445020	

Purad™
Ultra High Purity PVDF



Flare Adapter

OD		Dimensions						SDR 21 / PN 16 / 230 PSI	
mm	Inch	Flare inch	s	L ±	L1 ±	L2	SW	Asahi P/N	
20	1/2	1/4	0.075	3.190	1.142	1.500	0.945	5406096	
20	1/2	3/8	0.075	3.310	1.260	1.500	0.945	5406098	
20	1/2	1/2	0.075	3.400	1.260	1.500	1.063	5406005	
25	3/4	3/8	0.075	3.360	1.260	1.500	1.181	5406106	
25	3/4	1/2	0.075	3.400	1.300	1.500	1.181	5406101	
25	3/4	3/4	0.075	3.560	1.456	1.500	1.181	5406007	
32	1	3/8	0.094	3.390	1.260	1.500	1.614	5406105	
32	1	1/2	0.094	3.430	1.260	1.500	1.614	5406130	
32	1	3/4	0.094	3.590	1.456	1.500	1.614	5406131	
32	1	1	0.094	3.860	1.732	1.500	1.614	5406010	
40	1-1/4	1/2	0.094	3.428	2.050	1.500	1.614	5406166	

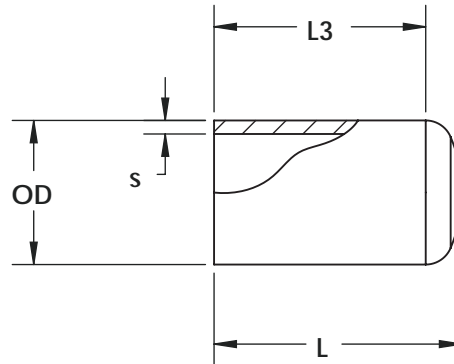


Hose Barb*

Size		Dimensions						SDR 21 / PN 16 / 230 PSI	
Outlet	OD1	OD2	L	h	t	D1	D2	Asahi P/N	
1/4"	25 mm	20 mm	2.778	0.875	0.656	1/4	1/2	840704010	

*Hose barb can be IR fused to 20 mm or socket fused with 25 mm pipe fitting

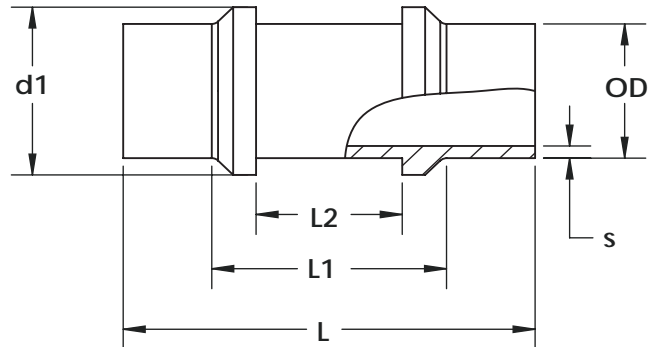
Purad™
Ultra High Purity PVDF



End Cap

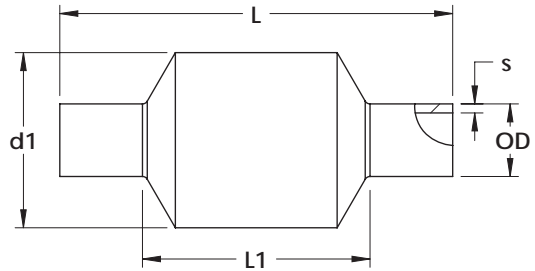
OD		Dimensions			SDR 21 / PN 16 / 230 PSI			SDR 33 / PN 10 / 150 PSI			
mm	inch	L	L3	s	Weight (lbs)	Asahi P/N	Agru Code	s	Weight (lbs)	Asahi P/N	Agru Code
20	1/2	1.773	1.615	0.075	0.022	5443005	35.064.0020.21	-	-	-	-
25	3/4	1.931	1.615	0.075	0.044	5443007	35.064.0025.21	-	-	-	-
32	1	2.206	1.773	0.095	0.066	5443010	35.064.0032.21	-	-	-	-
40	1-1/4	2.522	1.970	0.095	0.088	5443012	35.064.0040.21	-	-	-	-
50	1-1/2	2.876	2.364	0.118	0.176	5443015	35.064.0050.21	-	-	-	-
63	2	3.388	2.679	0.118	0.264	5443020	35.064.0063.21	-	-	-	-
75	2-1/2	3.664	2.955	0.142	0.396	5443025	35.064.0075.21	-	-	-	-
90	3	4.334	3.310	0.169	0.660	5444030	35.064.0090.21	0.110	0.462	5443030	35.064.0090.33
110	4	4.925	3.901	0.209	1.056	5444040	35.064.0110.21	0.134	0.638	5443040	35.064.0110.33

Purad™
Ultra High Purity PVDF



Restraint Fitting

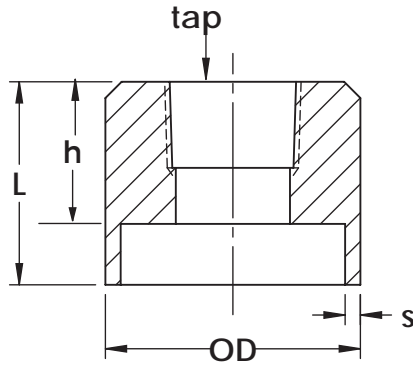
OD		Dimensions				SDR 21 / PN 16 / 230 PSI				SDR 33 / PN 10 / 150 PSI			
mm	inch	L	L1	L2	d1	s	Weight (lbs)	Asahi P/N	Agru Code	s	Weight (lbs)	Asahi P/N	Agru Code
20	1/2	3.700	2.090	1.280	1.100	0.075	0.684	5461005	-	-	-	-	-
25	3/4	3.700	2.090	1.280	1.300	0.075	0.573	5461007	-	-	-	-	-
32	1	4.724	2.088	1.280	2.126	0.095	0.132	5461010	35.028.0032.21	-	-	-	-
40	1-1/4	3.700	2.090	1.280	1.890	0.094	0.882	5461012	-	-	-	-	-
50	1-1/2	4.500	2.090	1.280	2.280	0.118	0.904	5461015	-	-	-	-	-
63	2	4.724	1.970	1.280	3.307	0.118	0.440	5461020	35.028.0063.21	-	-	-	-
75	2-1/2	5.110	2.760	1.575	3.430	0.142	1.433	5461025	-	-	-	-	-
90	3	5.866	2.758	1.575	4.134	0.169	0.968	5461030	35.028.0090.21	0.110	0.748	5471030	35.028.0090.33
110	4	5.906	2.758	1.575	5.000	0.209	1.452	5461040	35.028.0110.21	0.134	1.144	5471040	35.028.0110.33
160	6	6.220	3.940	2.362	7.008	0.303	3.102	5461060	35.028.0160.21	0.193	2.288	5471060	35.028.0160.33



Instrumentation Fitting*

OD		Dimensions				SDR 21 / PN 16 / 230 PSI				SDR 33 / PN 10 / 150 PSI			
mm	inch	L	L1	d1	s	Weight (lbs)	Asahi P/N	Agru Code	s	Weight (lbs)	Asahi P/N	Agru Code	
20	1/2	4.724	1.969	1.969	0.075	0.684	5499005	35.303.1020.21	-	-	-	-	
25	3/4	4.724	1.969	2.165	0.075	0.573	5499007	35.303.1025.21	-	-	-	-	
32	1	4.724	1.969	2.362	0.094	0.595	5499010	35.303.1032.21	-	-	-	-	
40	1-1/4	4.724	1.969	2.953	0.094	0.882	5499012	35.303.1040.21	-	-	-	-	
50	1-1/2	4.724	1.969	3.150	0.118	0.904	5499015	35.303.1050.21	-	-	-	-	
75	2-1/2	4.724	1.969	4.134	0.142	1.433	5499025	35.303.1075.21	-	-	-	-	
63	2	4.724	2.047	3.307	0.118	0.882	5499020	35.030.1063.21	-	-	-	-	
90	3	5.866	2.362	4.134	0.169	1.367	5499030	35.030.1090.21	0.110	1.213	5499030	35.030.1090.33	
110	4	5.906	2.362	4.882	0.209	1.830	5499040	35.030.1110.21	0.134	1.521	5499040	35.030.1110.33	
160	6	6.220	3.071	7.008	0.303	4.013	5492060	35.030.1160.21	0.193	3.330	5499060	35.030.1160.33	

*Available as solid or tapped



Probe Adapter*

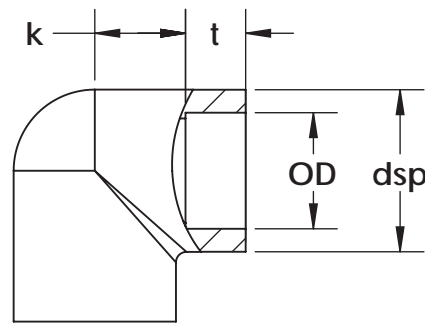
OD		Dimensions			SDR 21 / PN 16 / 230 PSI	SDR 33 / PN 10 / 150 PSI
mm	inch	s	h	L	Asahi P/N	Asahi P/N
20	1/2	0.075	1.000	1.500	5466005	-
25	3/4	0.075	1.000	1.500	5466007	-
32	1	0.094	1.000	1.500	5466010	-
40	1-1/4	0.094	1.000	1.500	5466012	-
50	1-1/2	0.114	1.000	1.500	5466015	-
63	2	0.118	1.000	1.500	5466020	-
75	2-1/2	0.141	1.000	1.500	5466025	-
90	3	0.110	1.000	1.500	-	5466030
110	4	0.138	1.000	1.500	-	5466040
160	6	0.197	1.000	1.500	-	5466060
200	8	0.244	1.000	1.500	-	5466080
225	9	0.272	1.000	1.500	-	5466090
250	10	0.303	1.000	1.500	-	5466100
315	12	0.382	1.000	1.500	-	5466120

*Available as solid tap

Socket Fittings

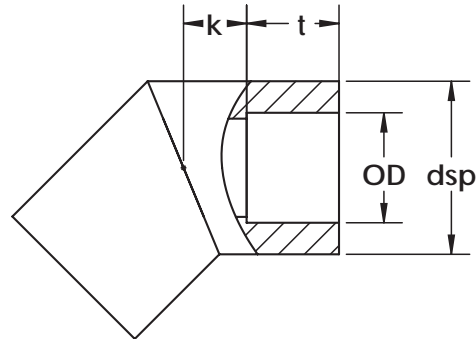
Socket fittings are traditionally used in non-high purity applications. Only use socket fittings with SDR 21 pipe.

OD		Dimensions		
mm	inch	dsp	t	k
Spigot diameter		OD of fitting	Socket depth	Spigot ID depth of fitting



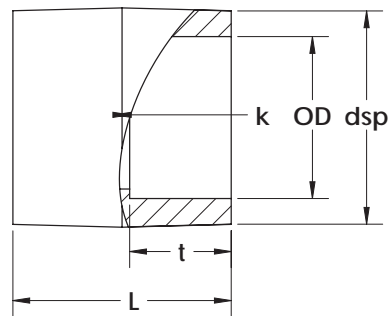
90° Elbow

OD		Dimensions			SDR 21 / PN 16 / 230 PSI		
mm	inch	dsp	t	k	Weight (lbs)	Asahi P/N	Agro Code
20	1/2	1.141	0.629	0.590	0.088	5991005	30.051.0020.07
25	3/4	1.377	0.708	0.590	0.132	5991007	30.051.0025.07
32	1	1.692	0.767	0.826	0.220	5991010	30.051.0032.07
40	1-1/4	2.047	0.846	0.984	0.352	5991012	30.051.0040.07
50	1-1/2	2.519	0.964	1.181	0.595	5991015	30.051.0050.07
63	2	3.188	1.102	1.377	1.058	5991020	30.051.0063.07
75	2-1/2	3.622	1.279	1.535	1.300	5991025	30.051.0075.07
90	3	4.448	1.397	1.732	2.359	5991030	30.051.0090.07
110	4	5.236	1.633	2.086	3.417	5991040	30.051.0110.07



45° Elbow

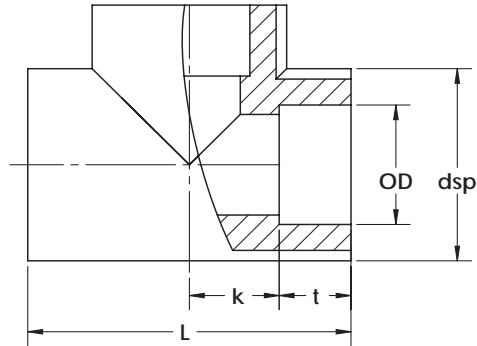
OD		Dimensions			SDR 21 / PN 16 / 230 PSI		
mm	inch	dsp	t	k	Weight (lbs)	Asahi P/N	Agru Code
20	1/2	1.181	0.630	0.197	0.088	5988005	30.050.0020.07
25	3/4	1.378	0.709	0.236	0.110	5988007	30.050.0025.07
32	1	1.693	0.748	0.276	0.176	5988010	30.050.0032.07
40	1-1/4	2.047	0.846	0.354	0.287	5988012	30.050.0040.07
50	1-1/2	2.520	0.945	0.433	0.463	5988015	30.050.0050.07
63	2	3.189	1.142	0.630	0.794	5988020	30.050.0063.07
75	2-1/2	3.622	1.260	0.630	0.926	5988025	30.050.0075.07
90	3	4.449	1.437	0.748	1.808	5988030	30.050.0090.07
110	4	5.236	1.634	1.063	2.822	5988040	30.050.0110.07



Coupling

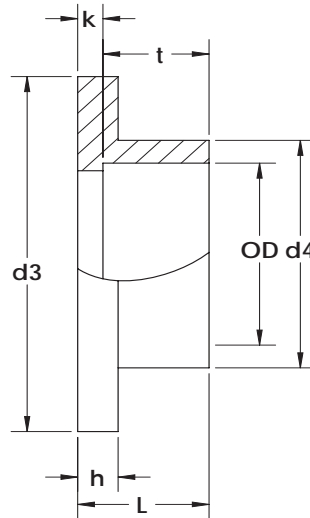
OD		Dimensions				SDR 21 / PN 16 / 230 PSI		
mm	inch	L	dsp	t	k	Weight (lbs)	Asahi P/N	Agru Code
20	1/2	1.378	1.142	0.610	0.157	0.066	5986005	30.053.0020.07
25	3/4	1.535	1.378	0.689	0.157	0.066	5986007	30.053.0025.07
32	1	1.693	1.693	0.768	0.157	0.110	5986010	30.053.0032.07
40	1-1/4	1.850	2.047	0.827	0.197	0.154	5986012	30.053.0040.07
50	1-1/2	2.047	2.520	0.925	0.236	0.287	5986015	30.053.0050.07
63	2	2.362	3.189	1.102	0.157	0.507	5986020	30.053.0063.07
75	2-1/2	2.756	3.622	1.280	0.197	0.639	5986025	30.053.0075.07
90	3	3.071	4.449	1.437	0.197	1.279	5986030	30.053.0090.07
110	4	3.543	5.236	1.673	0.197	1.676	5986040	30.053.0110.07

Purad™
Ultra High Purity PVDF



Tees

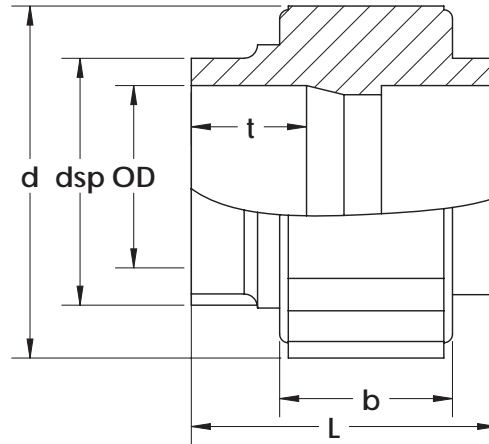
OD		Dimensions				SDR 21 / PN 16 / 230 PSI			
mm	inch	L	dsp	t	k	Weight (lbs)	Asahi P/N	Agru Code	
20	1/2	2.362	1.142	0.630	0.571	0.132	5985005	30.056.0020.07	
25	3/4	2.677	1.378	0.689	0.650	0.154	5985007	30.056.0025.07	
32	1	3.150	1.693	0.768	0.807	0.287	5985010	30.056.0032.07	
40	1-1/4	3.701	2.047	0.846	1.004	0.441	5985012	30.056.0040.07	
50	1-1/2	4.252	2.520	0.925	1.181	0.728	5985015	30.056.0050.07	
63	2	4.921	3.189	1.142	1.398	1.301	5985020	30.056.0063.07	
75	2-1/2	6.024	3.622	1.358	1.654	1.654	5985025	30.056.0075.07	
90	3	7.205	4.449	1.496	2.106	3.285	5985030	30.056.0090.07	
110	4	8.189	5.236	1.673	2.421	4.366	5985040	30.056.0110.07	



Stub End*

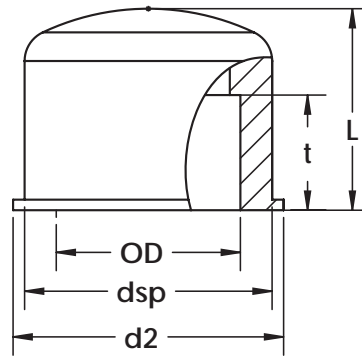
OD		Dimensions						SDR 21 / PN 16 / 230 PSI		
mm	inch	L	d3	d4	h	t	k	Weight (lbs)	Asahi P/N	Agru Code
20	1/2	0.827	1.064	1.773	0.236	0.630	0.197	0.044	5990005	30.052.0020.07
25	3/4	0.867	1.300	2.285	0.276	0.670	0.197	0.088	5990007	30.052.0025.07
32	1	0.985	1.615	2.679	0.276	0.788	0.197	0.110	5990010	30.052.0032.07
40	1-1/4	1.024	1.970	3.073	0.315	0.827	0.197	0.176	5990012	30.052.0040.07
50	1-1/2	1.182	2.403	3.467	0.315	0.985	0.197	0.220	5990015	30.052.0050.07
63	2	1.300	2.994	4.019	0.355	1.103	0.197	0.330	5990020	30.052.0063.07
75	2-1/2	1.458	3.546	4.807	0.394	1.261	0.197	0.506	5990025	30.052.0075.07
90	3	1.615	4.295	4.925	0.433	1.418	0.197	0.682	5990030	30.052.0090.07
110	4	1.891	5.161	5.910	0.473	1.694	0.197	1.012	5990040	30.052.0110.07

*Requires backing ring.



Union-FKM

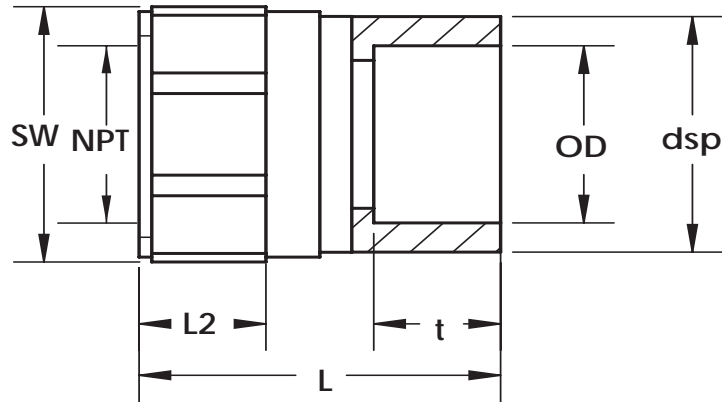
OD		Dimensions					SDR 21 / PN 16 / 230 PSI		
mm	inch	L	d	b	dsp	t	Weight (lbs)	Asahi P/N	Agru Code
20	1/2	1.772	1.850	0.945	1.075	0.630	0.132	5993005	30.024.1120.07
25	3/4	1.929	2.244	1.024	1.406	0.709	0.221	5993007	30.024.1125.07
32	1	2.087	2.520	1.181	1.626	0.787	0.309	5993010	30.024.1132.07
40	1-1/4	2.323	3.071	1.220	2.079	0.866	0.485	5992012	30.024.1140.07
50	1-1/2	2.638	3.504	1.378	2.307	0.965	0.617	5993015	30.024.1150.07
63	2	3.110	4.291	1.535	2.898	1.142	1.103	5993020	30.024.1163.07



End Cap

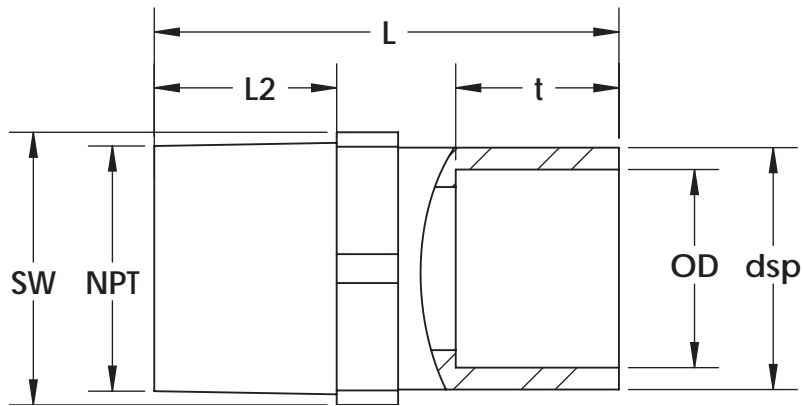
OD		Dimensions				SDR 21 / PN 16 / 230 PSI		
mm	inch	L	d2	dsp	t	Weight (lbs)	Asahi P/N	Agru Code
20	1/2	1.063	1.260	1.142	0.610	0.044	5981005	30.054.0020.07
25	3/4	1.181	1.457	1.378	0.689	0.066	5981007	30.054.0025.07
32	1	1.378	1.811	1.693	0.768	0.088	5981010	30.054.0032.07
40	1-1/4	1.535	2.244	2.047	0.886	0.154	5981012	30.054.0040.07
50	1-1/2	1.929	2.717	2.520	0.945	0.287	5981015	30.054.0050.07
63	2	2.323	3.386	3.189	1.102	0.441	5981020	30.054.0063.07
75	2-1/2	2.598	3.819	3.622	1.319	0.662	5981025	30.054.0075.07
90	3	3.031	4.685	4.449	1.437	1.169	5981030	30.054.0090.07
110	4	3.622	5.472	5.236	1.673	1.786	5981040	30.054.0110.07

Purad™
Ultra High Purity PVDF



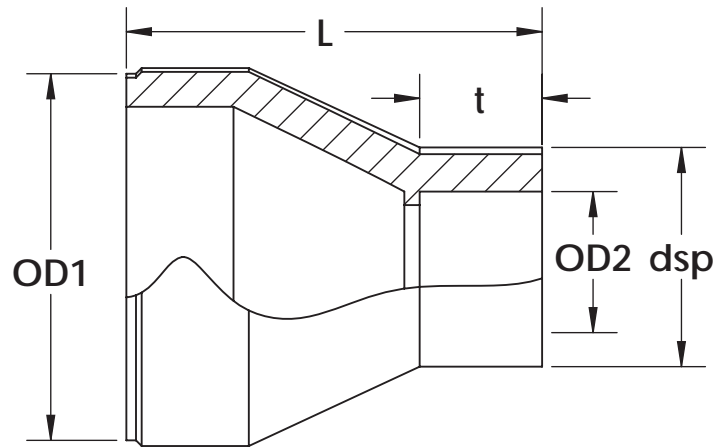
Female Adapter

OD		Dimensions						SDR 21 / PN 16 / 230 PSI		
mm	inch	L	L2	SW	NPT	dsp	t	Weight (lbs)	Asahi P/N	Agro Code
20	1/2	1.772	0.630	1.260	1/2	1.161	0.571	0.088	5983005	30.034.2021.07
25	3/4	1.988	0.709	1.614	3/4	1.378	0.630	0.132	5983007	30.034.2526.07
32	1	2.244	0.787	1.811	1	1.673	0.713	0.198	5983010	30.034.3233.07
40	1-1/4	2.461	0.945	2.165	1-1/4	2.047	0.807	0.331	5983012	30.034.4041.07
50	1-1/2	2.677	1.024	2.756	1-1/2	2.520	0.925	0.529	5983015	30.034.5051.07
63	2	2.913	1.181	3.346	2	3.150	1.079	0.882	9583020	30.034.6364.07



Male Adapter

OD		Dimensions						SDR 21 / PN 16 / 230 PSI		
mm	inch	L	L2	SW	NPT	dsp	t	Weight (lbs)	Asahi P/N	Agro Code
20	1/2	2.008	0.787	1.084	3/4	0.984	0.677	0.044	5984005	30.035.2026.07
25	3/4	2.402	0.945	1.556	1	1.260	0.768	0.110	5984007	30.035.2533.07
32	1	2.598	1.063	1.793	1-1/4	1.575	0.846	0.154	5984010	30.035.3241.07
40	1-1/4	2.913	1.142	2.364	1-1/2	1.969	0.945	0.265	5983012	30.035.4051.07
50	1-1/2	3.071	1.220	2.797	2	2.480	1.142	0.397	5983015	30.035.5064.07

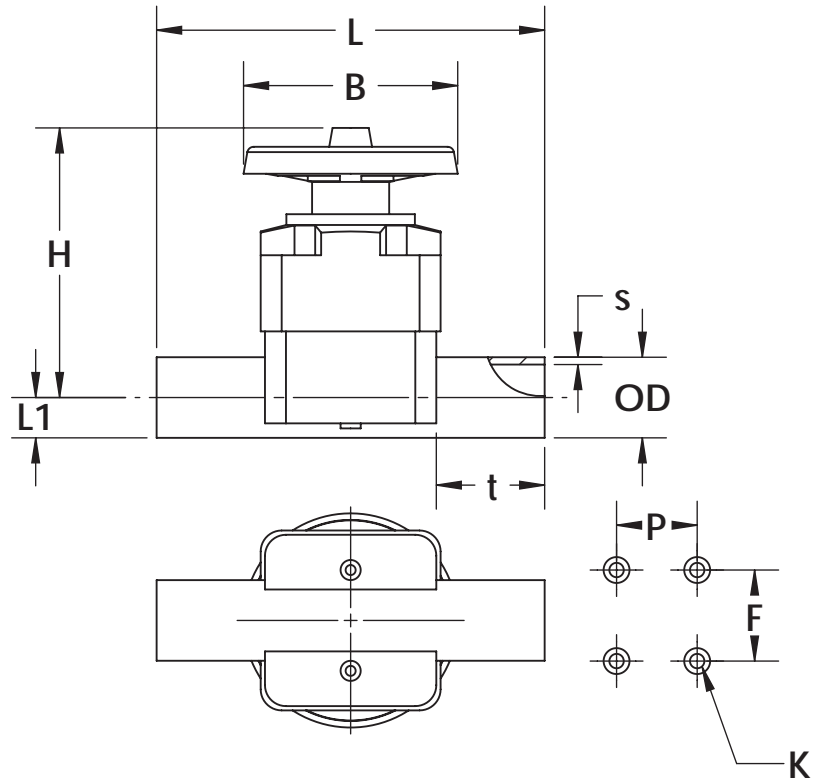


Concentric Reducer

OD		Dimensions			SDR 21 / PN 16 / 230 PSI		
mm	inch	L	dsp	t	Weight (lbs)	Asahi P/N	Agru Code
25/20	3/4 x 1/2	1.575	1.142	0.618	0.044	5995101	30.057.2520.07
32/20	1 x 1/2	1.732	1.142	0.610	0.066	5995130	30.057.3220.07
32/25	1 x 3/4	1.732	1.378	0.693	0.088	5995131	30.057.3225.07
40/20	1-1/4 x 1/2	1.929	1.142	0.642	0.088	5995166	30.057.4020.07
40/25	1-1/4 x 3/4	1.929	1.378	0.693	0.110	5995167	30.057.4025.07
40/32	1-1/4 x 1	1.929	1.693	0.795	0.088	5995168	30.057.4032.07
50/20	1-1/2 x 1/2	2.165	1.142	0.638	0.132	5995208	30.057.5020.07
50/25	1-1/2 x 3/4	2.165	1.378	0.709	0.154	5995210	30.057.5025.07
50/32	1-1/2 x 1	2.165	1.693	0.669	0.176	5995211	30.057.5032.07
50/40	1-1/2 x 1-1/4	2.165	2.047	0.984	0.198	5995212	30.057.5040.07
63/25	2 x 3/4	2.520	1.378	0.724	0.243	5995248	30.057.6325.07
63/32	2 x 1	2.520	1.693	0.799	0.265	5995249	30.057.6332.07
63/40	2 x 1-1/4	2.520	2.047	0.843	0.287	5995250	30.057.6340.07
63/50	2 x 1-1/2	2.520	2.520	0.969	0.331	5995251	30.057.6350.07
75/63	2-1/2 x 2	2.520	3.189	1.126	0.463	5995292	30.057.7563.07
90/63	3 x 2	3.425	3.189	1.142	0.794	5995338	30.057.9063.07
90/75	3 x 2-1/2	3.425	3.622	1.299	0.794	5995339	30.057.9075.07
110/63	4 x 2	3.465	3.189	1.154	1.058	5995420	30.057.1163.07
110/90	4 x 3	3.425	4.449	1.398	1.279	5995422	30.057.1190.07

Note: OD1 male spigot. OD2 female socket

Purad™
Ultra High Purity PVDF



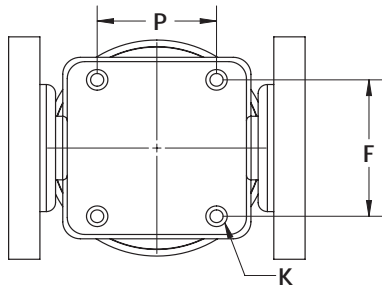
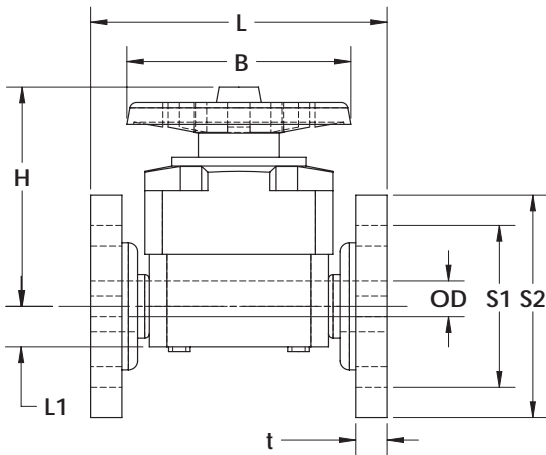
T342 Diaphragm Valve
-Manually Controlled
-EPDM/PTFE Diaphragm

OD		Dimension										SDR 21 / PN 10 / 150 PSI		
mm	inch	DN	s	L	L1	H	B	t	F	P	K	Weight (lbs)	Asahi P/N	Agro Code
20	1/2	15	0.075	5.236	0.650	3.937	3.346	1.417	0.965	-	M6	1.100	1131005	35.342.1020.21
25	3/4	20	0.075	5.669	0.650	3.937	3.346	1.417	0.965	-	M6	1.122	1131007	35.342.1025.21
32	1	25	0.094	6.063	0.807	4.213	3.346	1.417	0.965	-	M6	1.606	1131010	35.342.1032.21
40	1-1/4	32	0.094	7.598	1.004	5.669	5.315	1.811	1.732	-	M8	3.476	1131012	35.342.1040.21
50	1-1/2	40	0.118	7.638	1.260	5.669	5.315	1.811	1.732	-	M8	3.674	1131015	35.342.1050.21
63	2	50	0.118	8.819	1.516	6.693	5.315	2.126	1.732	-	M8	5.390	1131020	35.342.1063.21
75	2-1/2	65	0.142	11.181	0.984	10.000	9.213	1.457	9.055	-	M12	12.672	1131025	35.342.1075.21
90	3	80	0.169	11.811	0.984	10.000	9.213	1.457	9.055	-	M12	13.068	1131030	35.342.1090.21
110	4	100	0.209	13.386	0.984	12.598	9.213	1.969	11.024	3.350	M12	23.914	1131040	35.342.1011.21

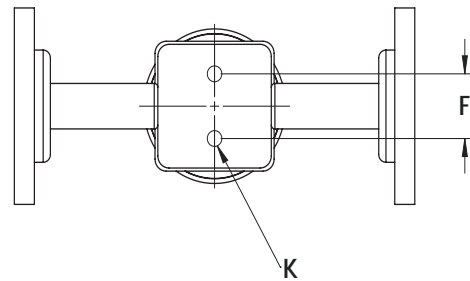
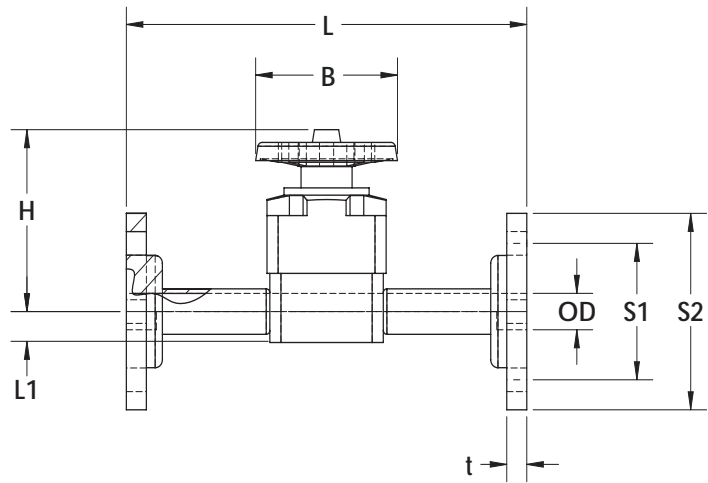
Valves

Purad™ Dimensional Guide

Purad™
Ultra High Purity PVDF



Sizes 1-1/4" - 2", 3" & 4"
Molded



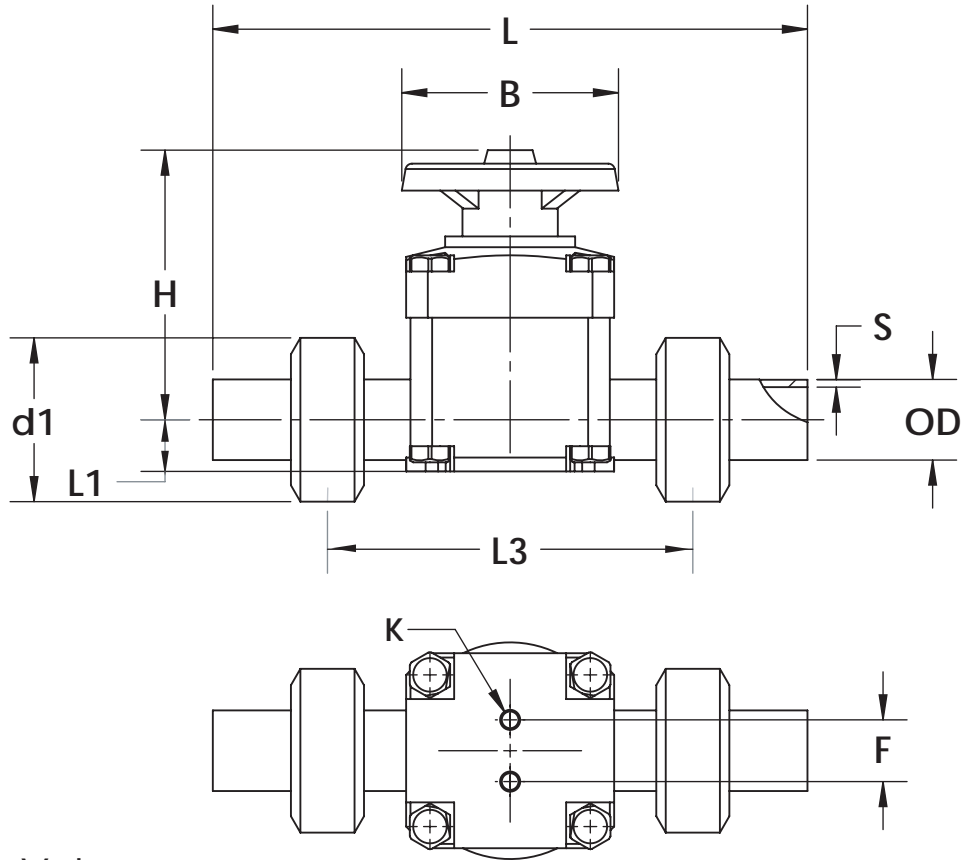
Sizes 1/2" - 1", 2-1/2"
Fabricated

T342 Diaphragm Valve
-Flanged Connection, ANSI
-Manually Controlled
-EPDM/PTFE Diaphragm

OD		Dimension											SDR 21 / PN 10 / 150 PSI		
mm	inch	DN	s1	s2	L	L1	H	B	t	F	P	K	Weight (lbs)	Asahi P/N	Agru Code
20	1/2	15	2.561	3.743	8.668	0.670	3.940	3.349	0.473	0.957	-	M6	2.359	1181005*	35.242.1020.21
25	3/4	20	2.955	4.255	9.456	0.670	3.940	3.349	0.473	0.957	-	M6	2.712	1181007*	35.242.1025.21
32	1	25	3.349	4.531	9.850	0.827	4.216	3.349	0.630	0.957	-	M6	3.792	1181010*	35.242.1032.21
40	1-1/4	32	3.503	5.516	7.092	1.005	5.674	5.358	0.749	1.005	-	M8	4.938	1181012	35.342.2040.21
50	1-1/2	40	3.877	5.910	7.880	1.261	5.674	5.358	0.906	1.261	-	M8	5.732	1181015	35.342.2050.21
63	2	50	4.728	6.501	9.062	1.517	6.698	5.358	0.985	1.517	-	M8	8.444	1181020	35.342.2063.21
75	2-1/2	65	5.713	7.368	14.972	0.985	10.008	9.220	0.709	9.062	-	M12	19.048	1181025*	35.242.1075.21
90	3	80	5.910	7.880	12.214	0.985	10.008	9.220	1.418	0.985	-	M12	17.461	1181030	35.342.2090.21
110	4	100	6.895	8.983	13.790	0.985	12.608	9.220	1.379	0.985	3.350	M12	30.644	1181040	35.342.2011.21

*Flanged diaphragm valves are fabricated items.

Purad™
Ultra High Purity PVDF

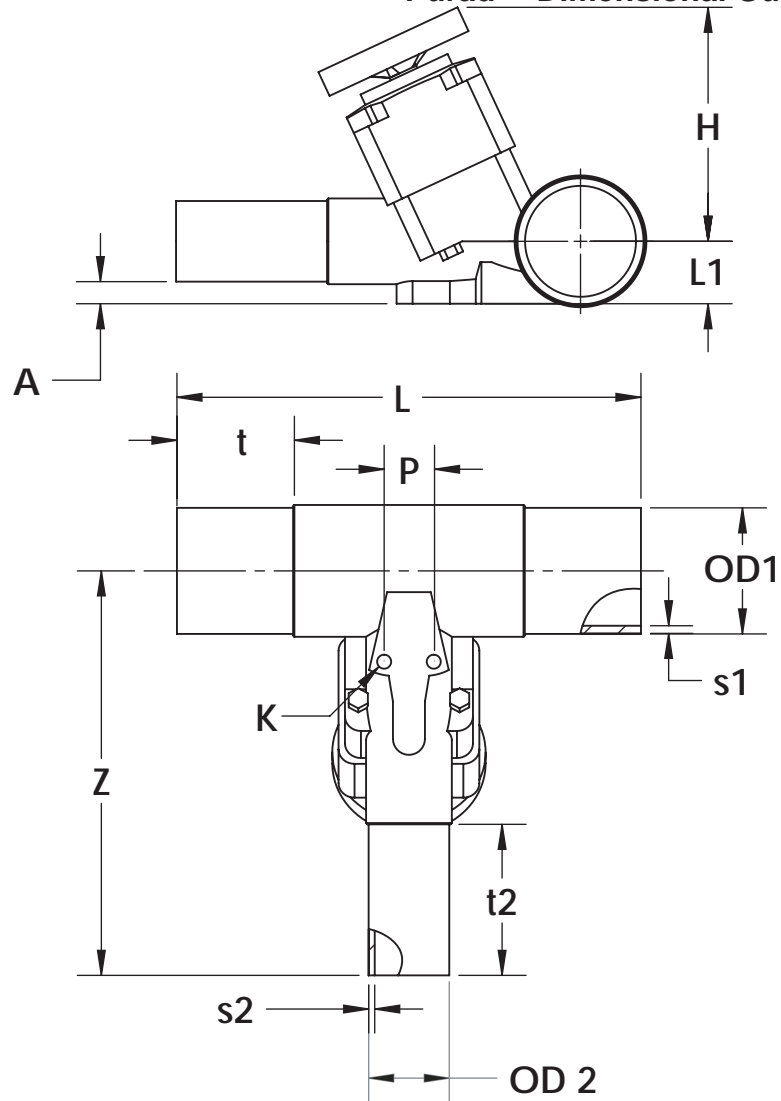


T342 Diaphragm Valve
 -True Union Connection
 -Manually Controlled
 -EPDM/PTFE Diaphragm

OD		Dimension										SDR 21 / PN 10 / 150 PSI		
mm	inch	DN	s	L	L1	L3	H	B	d1	F	K	Weight (lbs)	Asahi P/N	Agro Code
20	1/2	15	0.075	7.795	0.650	3.543	3.386	1.870	3.937	0.957	M6	1.100	1164005	35.340.0020.21
25	3/4	20	0.075	8.740	0.650	4.252	3.386	2.283	3.937	0.957	M6	1.122	1164007	35.340.0025.21
32	1	25	0.094	9.291	0.791	4.567	3.386	2.559	4.213	0.957	M6	1.606	1164010	35.340.0032.21
40	1-1/4	32	0.094	10.236	1.004	5.276	5.354	3.110	5.669	1.732	M8	3.476	1164012	35.340.0040.21
50	1-1/2	40	0.118	11.260	1.240	6.063	5.354	3.543	5.669	1.732	M8	3.674	1164015	35.340.0050.21
63	2	50	0.118	12.677	1.516	7.244	5.354	4.331	6.693	1.732	M8	5.390	1164020	35.340.0063.21

Valves

Purad™ Dimensional Guide



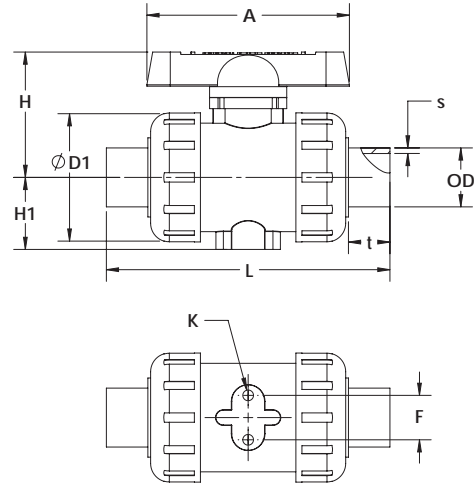
Purad™
 Ultra High Purity PVDF

T-343 Diaphragm Valve
 -Manually Controlled
 -EPDM/PTFE Diaphragm

OD		Dimensions													SDR 21 / PN 10 / 150 PSI		
mm	inch	DN	DN2	s1	s2	L	L1	Z	H	A	t	t2	P	K	Weight (lbs)	Asahi PN	Agru PN
20/20	1/2/1/2	20	15	0.075	0.075	6.457	0.512	5.669	4.646	0.787	1.417	2.638	0.984	M6	1.364	1246005	35.343.2020.21
25/20	3/4/1/2	20	15	0.075	0.075	6.457	0.551	5.669	4.646	0.787	1.417	2.638	0.984	M6	1.320	1246101	35.343.2520.21
25/25	3/4/3/4	20	20	0.075	0.075	6.457	0.591	5.591	4.646	0.787	1.417	2.756	0.984	M6	1.342	1246007	35.343.2525.21
32/20	1/1/2	25	15	0.094	0.075	6.457	0.669	5.906	5.039	0.787	1.417	2.283	0.984	M6	1.958	1246130	35.343.3220.21
32/25	1/3/4	25	20	0.094	0.075	6.457	0.669	5.906	5.039	0.787	1.417	2.362	0.984	M6	1.958	1246131	35.343.3225.21
32/32	1/1	25	25	0.094	0.094	6.457	0.709	5.906	5.039	0.787	1.417	2.402	0.984	M6	2.046	1246010	35.343.3232.21
40/20	1-1/4/1/2	32	15	0.094	0.075	7.244	0.827	6.102	5.039	0.787	1.811	2.283	0.984	M6	2.090	1246166	35.343.4020.21
40/25	1-1/4/3/4	32	20	0.094	0.075	7.244	0.846	6.102	5.039	0.787	1.811	2.362	0.984	M6	2.090	1246167	35.343.4025.21
40/32	1-1/4/1	32	25	0.094	0.094	7.244	0.846	6.102	5.039	0.787	1.811	2.402	0.984	M6	2.024	1246168	35.343.4032.21
40/ 40	1-1/2/1/2	32	32	0.118	0.095	9.259	0.847	9.298	7.447	1.852	1.812	3.664	1.772	M8	5.896	1246012	35.343.4040.21
50/20	1-1/2/3/4	40	15	0.118	0.075	7.244	1.043	6.319	5.039	0.787	1.811	2.323	0.984	M6	2.288	1246208	35.343.5020.21
50/25	1-1/2/1	40	20	0.118	0.075	7.244	1.043	6.319	5.039	0.787	1.811	2.362	0.984	M6	2.266	1246210	35.343.5025.21
50/32	2/1/2	40	25	0.118	0.094	7.244	1.043	6.260	5.039	0.787	1.811	2.402	0.984	M6	2.288	1246211	35.343.5032.21
50/ 50	2/3/4	40	40	0.118	0.118	9.259	1.044	9.377	7.880	2.246	1.812	3.664	1.772	M8	6.556	1246246	35.343.5050.21
63/20	2/1	50	15	0.118	0.075	7.244	1.299	6.614	5.039	0.787	1.811	2.283	0.984	M6	2.464	1246248	35.343.6320.21
63/25	2/3/4	50	20	0.118	0.075	7.244	1.299	6.614	5.039	0.787	1.811	2.362	0.984	M6	2.464	1246249	35.343.6325.21
63/32	2/1	50	25	0.118	0.094	7.244	1.299	6.614	5.039	0.787	1.811	2.402	0.984	M6	2.486	1246015	35.343.6332.21

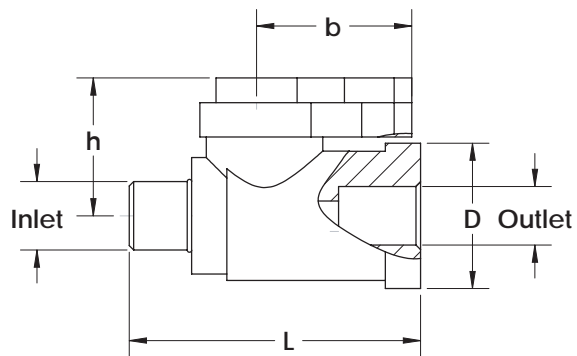
T-343 Diaphragm Valve
 -Manually Controlled
 -EPDM/PTFE Diaphragm
 (Continued)

OD		Dimensions													SDR 21 / PN 16 / 230 PSI		
mm	inch	DN	DN2	s1	s2	L	L1	Z	H	A	t	t2	P	K	Weight (lbs)	Asahi PN	Agro PN
63/40	2/1-1/4	50	32	0.118	0.094	9.252	1.299	9.528	7.835	2.244	1.811	3.484	1.772	M8	7.018	1246250	35.343.6340.21
63/50	2/1-1/2	50	40	0.118	0.118	9.252	1.299	9.528	7.835	2.244	1.811	3.661	1.772	M8	7.040	1246251	35.343.6350.21
63/63	2/2	50	50	0.118	0.118	9.252	1.299	9.528	7.835	2.244	1.811	3.937	1.772	M8	6.952	1246020	35.343.6363.21
75/25	2-1/2/3/4	65	20	0.142	0.075	8.268	0.906	7.047	5.236	1.299	1.299	2.382	0.984	M6	2.838	1246286	35.343.7525.21
75/32	2-1/2/1	65	25	0.142	0.094	8.268	0.906	7.047	5.236	1.299	1.299	2.559	0.984	M6	2.816	1246289	35.343.7532.21
75/40	2-1/2/1-1/4	63	32	0.142	0.094	8.268	1.535	9.764	7.835	2.480	1.299	3.465	1.772	M8	7.172	1246290	35.343.7540.21
75/50	2-1/2/1-1/2	63	40	0.142	0.118	8.268	1.535	9.764	7.835	2.480	1.299	3.661	1.772	M8	7.150	1246291	35.343.7550.21
75/63	2-1/2/2	63	50	0.142	0.118	8.268	1.535	9.764	7.835	2.480	1.299	3.937	1.772	M8	7.084	1246292	35.343.7563.21
90/20	3/1/2	80	15	0.169	0.075	8.268	0.925	7.402	5.315	1.417	1.299	2.283	0.984	M6	3.300	1246333	35.343.9020.21
90/25	3/3/4	80	20	0.169	0.075	8.268	0.925	7.402	5.315	1.417	1.299	2.382	0.984	M6	3.278	1246336	35.343.9025.21
90/32	3/1	80	25	0.169	0.094	8.268	0.925	7.402	5.315	1.417	1.299	2.520	0.984	M6	3.300	1246335	35.343.9032.21
90/40	3/1-1/4	80	32	0.169	0.094	8.268	1.831	10.039	7.835	2.677	1.299	3.465	1.772	M8	7.546	1246337	35.343.9040.21
90/50	3/1-1/2	80	40	0.169	0.118	8.268	1.831	10.039	7.835	2.559	1.299	3.681	1.772	M8	7.392	1246338	35.343.9050.21
90/63	3/2	80	50	0.169	0.118	8.268	1.831	10.039	7.835	2.559	1.299	3.937	1.772	M8	7.524	1246338	35.343.9063.21
110/20	4/1/2	100	20	0.209	0.075	8.268	1.319	7.677	5.512	1.909	1.299	2.165	0.984	M6	3.938	1246399	35.343.1120.21
110/25	4/3/4	100	20	0.209	0.075	8.268	1.319	7.795	5.512	1.693	1.299	2.264	0.984	M6	3.828	1246404	35.343.1125.21
110/32	4/1	100	25	0.209	0.094	8.268	1.319	7.795	5.512	1.693	1.299	2.402	0.984	M6	3.960	1246401	35.343.1132.21
110/40	4/1-1/4	100	32	0.209	0.094	8.268	2.224	10.512	7.835	2.953	1.299	3.484	1.772	M8	8.294	1246412	35.343.1140.21
110/50	4/1-1/2	100	40	0.209	0.118	8.268	2.224	10.512	7.835	3.071	1.299	3.681	1.772	M8	8.316	1246415	35.343.1150.21
110/63	4/2	100	50	0.209	0.118	8.268	2.224	10.512	7.835	2.953	1.299	3.937	1.772	M8	8.250	1246420	35.343.1163.21
90/20	3/1/2	80	15	0.110	0.075	8.268	0.925	7.402	5.315	1.417	1.299	2.283	0.984	M6	2.926	1246332	35.343.9020.31
90/25	3/3/4	80	20	0.110	0.075	8.268	0.925	7.402	5.315	1.417	1.299	2.382	0.984	M6	2.926	1246333	35.343.9025.31
90/32	3/1	80	25	0.110	0.094	8.268	0.925	7.402	5.315	1.417	1.299	2.520	0.984	M6	2.948	1246336	35.343.9032.31
90/40	3/1-1/4	80	32	0.110	0.094	8.268	1.831	10.039	7.835	2.677	1.299	3.465	1.772	M8	7.194	1246335	35.343.9040.31
90/50	3/1-1/2	80	40	0.110	0.118	8.268	1.831	10.039	7.835	2.559	1.299	3.681	1.772	M8	7.436	1246337	35.343.9050.31
90/63	3/2	80	50	0.110	0.118	8.268	1.831	10.039	7.835	2.559	1.299	3.937	1.772	M8	7.128	1246338	35.343.9063.31
110/20	4/1/2	100	20	0.134	0.075	8.268	1.319	7.559	5.512	1.909	1.299	2.165	0.984	M6	3.674	1246399	35.343.1120.31
110/25	4/3/4	100	20	0.134	0.075	8.268	1.319	7.795	5.512	1.693	1.299	2.264	0.984	M6	3.564	1246404	35.343.1125.31
110/32	4/1	100	25	0.134	0.094	8.268	1.319	7.795	5.512	1.693	1.299	2.402	0.984	M6	3.564	1246401	35.343.1132.31
110/40	4/1-1/4	100	32	0.134	0.094	8.268	2.224	10.512	7.835	2.953	1.299	3.484	1.772	M8	8.008	1246412	35.343.1140.31
110/50	4/1-1/2	100	40	0.134	0.118	8.268	2.224	10.512	7.835	3.071	1.299	3.681	1.772	M8	7.832	1246415	35.343.1150.31
110/63	4/2	100	50	0.134	0.118	8.268	2.224	10.512	7.835	2.953	1.299	3.937	1.772	M8	7.502	1246420	35.343.1163.31



Type 21 Ball Valve

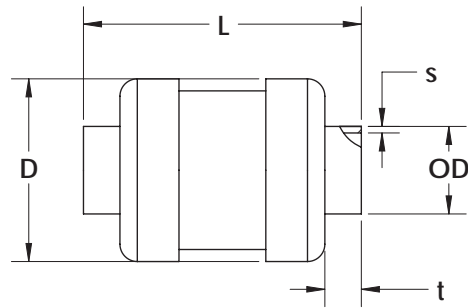
OD		Dimensions								SDR 21 / PN 16 / 230 PSI	
mm	inch	s	D1	H	H1	A	L	F	K	Asahi P/N	
20	1/2	0.075	1.890	2.030	1.140	3.620	4.882	0.728	0.290	1067005	
25	3/4	0.075	2.360	2.340	1.380	3.940	5.670	0.866	0.290	1067007	
32	1	0.094	2.760	2.680	1.540	4.330	6.063	0.866	0.290	1067010	
40	1-1/4	0.094	3.230	3.170	1.850	4.760	6.850	1.024	0.350	1067012	
50	1-1/2	0.118	3.940	3.500	2.170	5.160	7.638	1.260	0.350	1067015	
63	2	0.118	4.960	4.040	2.600	6.260	8.819	1.417	0.350	1067020	



Sampling Ball Valve

Size		Dimensions				PN 10 /150 PSI		
Inlet	Outlet	D	L	h	b	Weight (lbs)	Asahi P/N	Agru Code
1/4"MNPT	1/4" Female G	1.100	2.200	1.040	1.170	0.132	1068003	35.337.1000.11
1/4"MNPT	1/4" Hose Barb	1.100	3.550	1.040	1.170	0.132	1068003	35.337.1000.11
1/4"MNPT	1/4" FNPT	1.100	3.010	1.040	1.170	0.132	1068003	35.337.1000.11
1/4"MNPT	1/4" Plug	1.100	2.550	1.040	1.170	0.132	1068003	35.337.1000.11

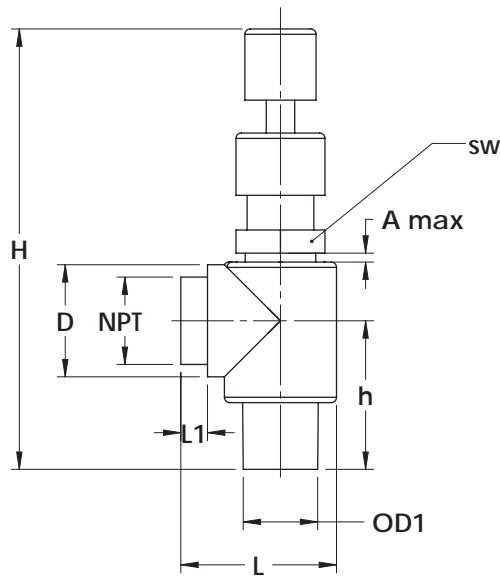
*Dimensions for all outlet connections.



**Ball Check Valve
Spigot End**

*Dimensions for Asahi machined butt/IR end

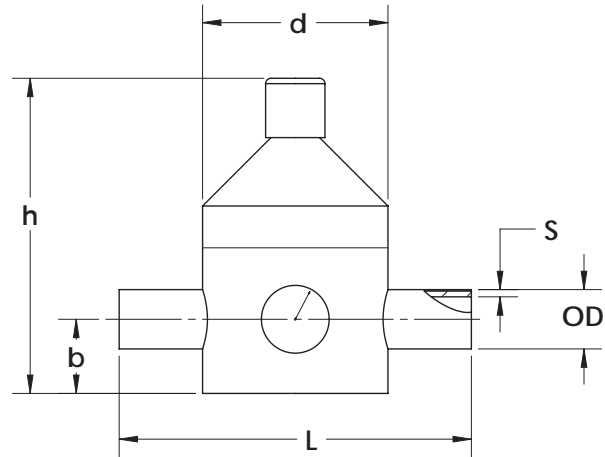
OD		Dimensions				SDR 21 / PN 16 / 230 PSI
mm	inch	D	L	t	s	Asahi P/N
20	1/2	1.890	4.000	0.728	0.075	1208005
25	3/4	2.360	4.350	0.866	0.075	1208007
32	1	2.760	4.750	0.866	0.094	1208010
40	1-1/4	3.780	5.750	1.024	0.094	1208012
50	1-1/2	3.780	5.750	1.260	0.118	1208015
63	2	4.170	6.500	1.417	0.118	1208020



Angle Needle Valve

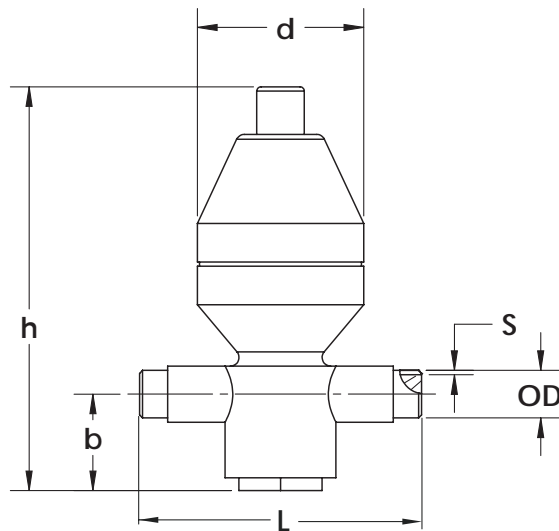
Size		Dimensions							PN 10 /150 PSI	
Inlet	Outlet	D	H	h	A max	L	L1	SW	Weight (lbs)	Asahi P/N
1/8" FNPT	1/8" FNPT	0.59	2.99	0.87	0.24	1.26	0.31	0.67	0.231	841003190
1/4" FNPT	1/4" FNPT	0.79	3.72	1.16	0.28	1.48	0.31	0.81	0.231	841003220
1/2" FNPT	1/2" FNPT	1.18	4.63	1.34	0.35	1.97	0.55	1.06	0.231	841003250
16mm Butt	1/8" FNPT	0.59	3.31	1.18	0.24	1.26	0.31	0.67	0.231	5482001
16mm Butt	1/4" FNPT	0.79	3.94	1.38	0.28	1.48	0.31	0.81	0.231	5482002
20mm Butt	1/2" FNPT	1.18	4.67	1.38	0.35	1.97	0.55	1.06	0.231	5482005

Purad™
 Ultra High Purity PVDF



V82 Pressure Regulator w/ Gauge Guard

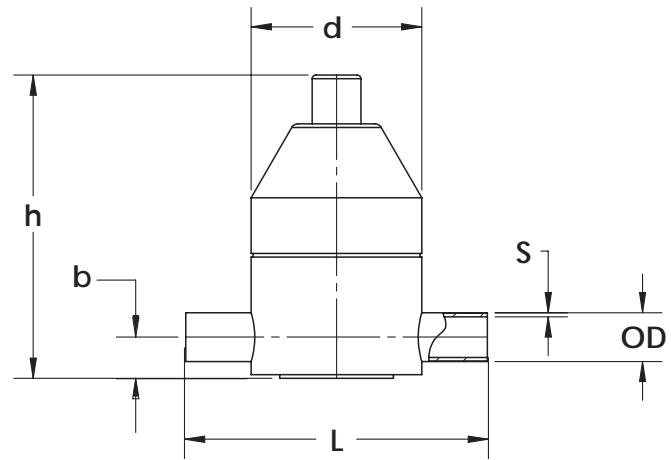
OD		Dimensions						Range psi	Weight (lbs)	Asahi Part #
mm	inch	DN	d	L	b	h	s			
20	1/2	15	2.756	5.906	1.181	5.118	0.075	7-145	1.166	540241005
25	3/4	20	3.937	7.480	1.575	6.693	0.075	7-145	2.376	540241007
32	1	25	3.937	7.480	1.575	6.693	0.094	7-145	2.904	540241010
40	1-1/4	32	5.118	9.449	2.165	9.055	0.094	7-145	5.522	540241012
50	1-1/2	40	5.118	9.449	2.165	9.055	0.118	7-145	5.522	540241015
63	2	50	6.102	10.236	2.953	11.220	0.118	7-145	8.712	540241020
75	2-1/2	65	7.480	11.811	3.937	13.780	0.142	7-.90	17.402	540241025



V782 Pressure Regulator

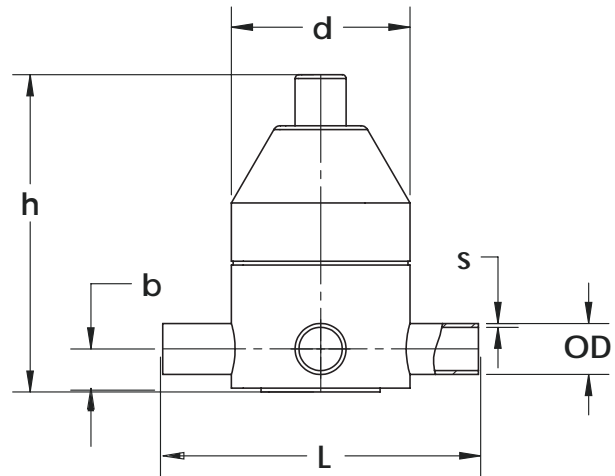
OD		Dimensions						Range psi	Weight (lbs)	Asah Part #
mm	inch	DN	d	L	b	h	s			
20	1/2	15	3.268	6.772	1.890	9.449	0.075	7-145	1.100	540243005
25	3/4	20	4.409	7.480	2.559	10.709	0.075	7-145	3.080	540243007
32	1	25	4.409	7.480	2.559	10.709	0.094	7-145	3.080	540243010
40	1-1/4	32	6.496	10.315	3.740	14.016	0.094	7.25-145	8.580	540243012
50	1-1/2	40	6.496	10.315	3.740	14.016	0.118	7.25-145	8.580	540243015

Purad™
Ultra High Purity PVDF



V186 Back Pressure Regulator

OD		Dimensions						Range psi	Weight (lbs)	Asahi Part #
mm	inch	DN	d	L	b	h	s			
20	1/2	15	3.268	6.220	0.787	5.394	0.075	7-145	0.858	540244005
25	3/4	20	3.268	6.220	0.787	5.394	0.075	7-145	0.880	540244007
32	1	25	4.409	7.795	1.063	7.835	0.094	7-145	2.266	540244010
40	1-1/4	32	4.409	7.795	1.063	7.835	0.094	7-145	2.266	540244012
50	1-1/2	40	6.496	10.315	1.693	11.417	0.118	7-145	9.680	540244015
63	2	50	6.496	10.315	1.693	11.417	0.118	7-145	9.900	540244020



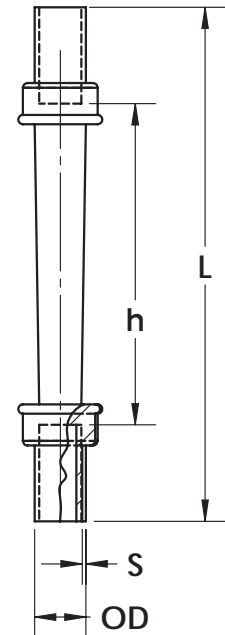
V185 Pressure Relief T-Valve

OD		Dimensions						Range psi	Weight (lbs)	Asahi Part #
mm	inch	DN	d	L	b	h	s			
20	1/2	15	3.268	6.220	0.787	5.394	0.075	7-145	0.880	540245005
25	3/4	20	3.268	6.220	0.787	5.394	0.075	7-145	1.980	540245007
32	1	25	4.409	7.795	1.063	7.835	0.094	7-145	1.980	540245010
40	1-1/4	32	4.409	7.795	1.063	7.835	0.094	7-145	2.398	540245012
50	1-1/2	40	6.496	10.315	1.693	11.417	0.118	7-145	9.680	540245015
63	2	50	6.496	10.315	1.693	11.417	0.118	7-145	9.900	540245020

M123 Flowmeter

OD		Dimensions				SDR 21/ 150 PSI / PN 10	
mm	inch	DN	L	h	s	FLOWRATE	Asahi Part #
20	1/2	15	11.535	7.283	0.075	0.03 - 0.35 gpm (8- 80 l/h)	540246001
20	1/2	15	11.535	7.283	0.075	0.07 - 0.66 gpm (15 - 150 l/h)	540246002
20	1/2	15	11.535	7.283	0.075	0.09 - 0.88 gpm (20 - 200 l/h)	540246003
32	1	25	12.598	7.874	0.094	0.07 - 0.66 gpm (15 - 150 l/h)	540246004
32	1	25	12.598	7.874	0.094	0.13 - 1.32 gpm (30 - 300 l/h)	540246005
32	1	25	12.598	7.874	0.094	0.22 - 2.20 gpm (50 - 500 l/h)	540246006
32	1	25	12.598	7.874	0.094	0.44 - 4.40 gpm (100 -1000 l/h)	540246007

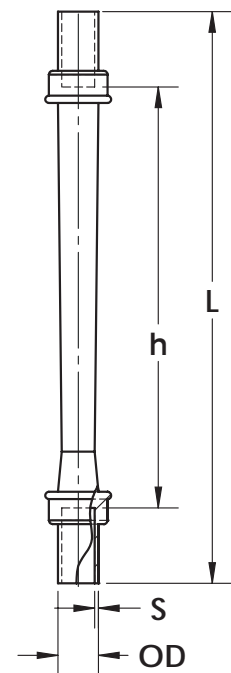
Non-stock item, 50% restock charge.



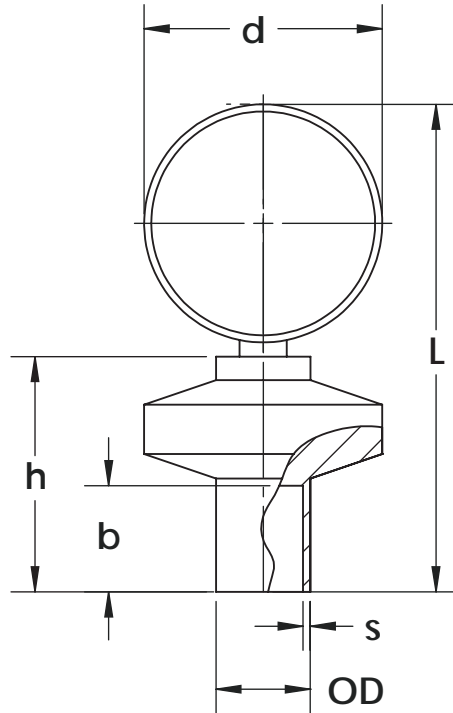
M23 Flowmeter

OD		Dimensions				SDR 21/ 150 PSI / PN 10	
mm	inch	DN	L	h	s	FLOWRATE	Asahi Part #
32	1	25	17.913	13.189	0.094	0.07 - 0.66 gpm (15 - 150 l/h)	540247001
32	1	25	17.913	13.189	0.094	0.22 - 2.20 gpm (50 - 500 l/h)	540247002
32	1	25	17.913	13.189	0.094	0.44 - 4.40 gpm (100 -1000 l/h)	540247003
50	1-1/2	40	18.386	13.189	0.118	0.88 - 8.81 gpm (200 - 2000 l/h)	540247004
50	1-1/2	40	18.386	13.189	0.118	1.32 - 13.21 gpm (300 - 3000 l/h)	540247005
63	2	50	18.622	13.189	0.118	2.64 - 26.42 gpm (600 - 6000 l/h)	540247006
63	2	50	18.622	13.189	0.118	5.28 - 52.83 gpm (1200 - 12000 l/h)	540247007
75	2-1/2	65	17.835	13.189	0.142	8.81 - 88.06 gpm (2000 - 20000 l/h)	540247008
75	2-1/2	65	17.835	13.189	0.142	13.21 - 132.09 gpm (3000 - 30000 l/h)	540247009

Non-stock item, 50% restock charge.



Purad™
Ultra High Purity PVDF



Z701 Guage Guard*

OD		Dimensions					SDR 11 / PN 10 / 150 PSI
mm	inch	L	b	d	h	s	Asahi P/N
20	1/2	6.270	3.870	1.810	1.200	0.075	630249005
25	3/4	6.670	3.870	2.200	1.400	0.075	630249007
32	1	6.870	3.870	2.640	1.500	0.094	630249010
40	1-1/4	7.270	3.870	3.230	1.700	0.094	630249012
50	1-1/2	7.670	3.870	3.860	1.900	0.118	630249015
63	2	8.070	3.870	4.720	2.100	0.118	630249020

*Guage not included

WARRANTY

Warranty; Limitation on Liability. Asahi/America, Inc., (“Seller”) warrants, to the original Buyer only, that all products delivered hereunder shall be free from defects in design and manufacture for a period of one year from the date of delivery, provided that such products are installed, used, operated, adjusted and serviced only in a proper and appropriate manner and in strict accordance with any instructions relating thereto furnished to Buyer by Seller. In no event shall the foregoing warranty extend to any products in any way caused or allowed to be, or installed, operated or used in such a manner as to be, subject or exposed to conditions of misuse, abuse or accident.

THE FOREGOING WARRANTY IS EXCLUSIVE AND IN LIEU OF ANY AND ALL OTHER WARRANTIES, EXPRESS OR IMPLIED. NO WARRANTY OF MERCHANTABILITY, NO IMPLIED WARRANTY OF FITNESS FOR ANY PARTICULAR PURPOSE, AND NO IMPLIED WARRANTY ARISING BY USAGE OF TRADE, COURSE OF DEALING OR COURSE OF PERFORMANCE IS GIVEN BY SELLER OR SHALL ARISE BY OR IN CONNECTION WITH THIS SALE AND/OR THE SELLER’S AND/OR BUYER’S CONDUCT IN RELATION THERETO OR TO EACH OTHER, AND IN NO EVENT SHALL SELLER BE LIABLE ON ANY SUCH WARRANTY WITH RESPECT TO ANY PRODUCT.

Liability of the Seller under or in connection with this sale and/or the foregoing warranty shall be limited, at the sole option of the Seller, to one repair of, replacement of, or a refund of the purchase price of any products or part thereof (a), with respect to which Seller receives, promptly after Buyer’s discovery of any alleged defect and prior to the expiration of the one-year warranty period as provided above, notice from Buyer or Buyer’s claim defect and (b) which shall be returned to Seller by Buyer, as provided herein, promptly after Buyer’s discovery of such alleged defect and which shall be determined by the Seller to have proven defective within the one-year warranty period provided above; failure by Buyer to notify Seller and return such products to Seller after Buyer’s discovery of such alleged defect shall constitute a waiver by Buyer of any and all claims of any kind with respect thereto. Any products returned by Buyer to Seller under the foregoing terms shall be returned to Seller’s place of business freight prepaid, accompanied or preceded by Buyer’s particularized statement of the claimed defect. The risk of loss and freight charges to and from Seller in connection with any returned products shall be borne by Buyer; but Seller shall bear such additional freight charges arising in connection with any such returned products ultimately determined by Seller to be defective under the terms of the foregoing warranty, the cost of repair or replacement (if any) of such products, and the risk of loss or damage which such products are in Seller’s possession at its place of business. The foregoing remedy shall constitute the sole and exclusive remedy of the Buyer under or in connection with this sale and/or warranty of the Seller. Except as specifically provided herein, Seller shall not be responsible or liable for any costs, expenses or damages of Buyer in connection with any removal, repair or replacement (including any attempts or actions relating thereto) of any allegedly defective products, and no charge of setoff of any kind of Buyer relating thereto shall be made against the Seller without prior and specific written approval of Seller.

IN NO EVENT SHALL SELLER BE RESPONSIBLE OR LIABLE FOR ANY SPECIAL, INDIRECT, INCIDENTAL OR CONSEQUENTIAL DAMAGES ARISING IN ANY WAY IN CONNECTION WITH ANY PRODUCTS OR THIS SALE.

The agreement of Seller to sell its products is expressly conditioned upon the Buyer’s assent to, and Seller agrees to sell its products only upon, all terms and conditions set forth above and on the face hereof. Buyer’s acceptance of any products provided under this sale shall constitute such assent.

Purad™
Ultra High Purity PVDF



35 Green Street, PO Box 653, Malden, MA 02148

Tel: (781) 321-5409 - Toll Free: (800) 343-3618 - Fax: (781) 397-8831 - (800) 787-6861

www.asahi-america.com - asahi@asahi-america.com

Direct Sales: East (800) 232-7244 / Central (800) 442-7244 / West (800) 282-7244