

Series 5L Needle Valve

High Media resistance with multiple materials

Compact, light and easy to use design

Weldable to Asahi Piping material

Ideal for use with instrumentation fittings as a sampling valve



SPECIFICATION

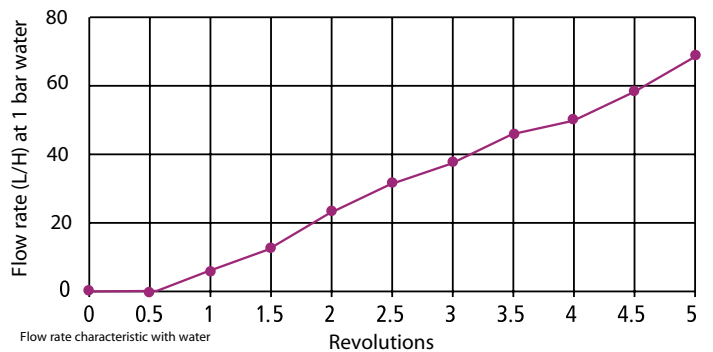
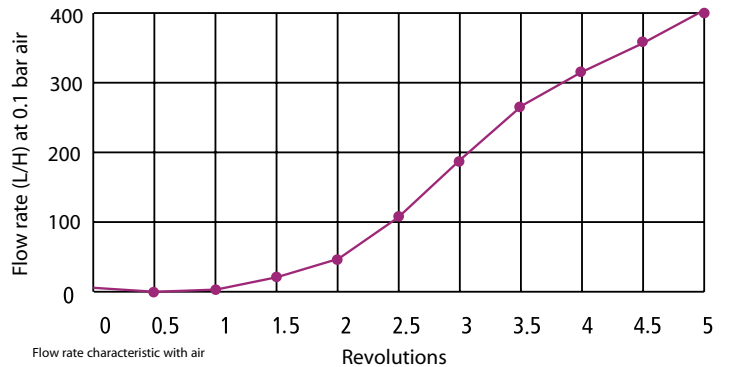
Series 5L Needle Valves shall be available in PP, PPn, PVDF & PFA. Needle Valves shall be designed for panel mounting in a compact design. Valves are available in angle and straight flow patterns. Outlets shall be female national pipe thread. Inlet shall be available in female NPT, male NPT & spigot ends (where applicable).

See second page for available configurations and part numbers.

TECHNICAL SPECIFICATIONS

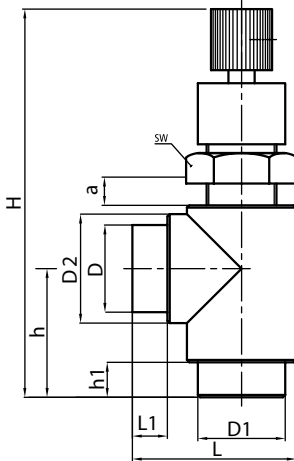
Body Material	PPn, PVDF, PFA
O-Ring	FKM*
Spindle	PCTFE
Maximum Pressure	10 bar @ 20C
Maximum Temp.	PP - 90C
	PVDF - 120C
	PFA - 180C

* EPDM or FFKM available upon request



ANGLE NEEDLE VALVE

INLET	OUTLET	MAT'L	PART #
16mm Bu \square	1/8" FNPT	PPn	6382001
16mm Bu \square	1/4" FNPT	PPn	6382002
20mm Bu \square	1/2" FNPT	PPn	6382005
1/4" MNPT	1/4" FNPT	PPn	6380002
1/2" MNPT	1/2" FNPT	PPn	6380005
16mm Bu \square	1/8" FNPT	PVDF	5482001
16mm Bu \square	1/4" FNPT	PVDF	5482002
20mm Bu \square	1/2" FNPT	PVDF	5482005
1/4" MNPT	1/4" FNPT	PVDF	5480002
1/2" MNPT	1/2" FNPT	PVDF	5480005

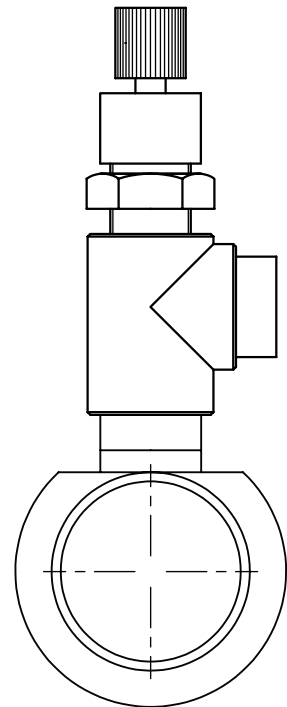
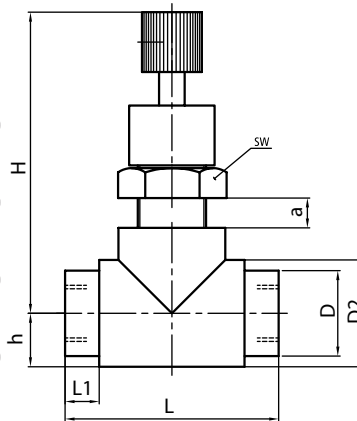


INLET	OUTLET	MAT'L	PART #
1/8" FNPT	1/8" FNPT	PP	841003200
1/4" FNPT	1/4" FNPT	PP	841003230
1/2" FNPT	1/2" FNPT	PP	841003260
1/8" FNPT	1/8" FNPT	PVDF	841003190
1/4" FNPT	1/4" FNPT	PVDF	841003220
1/2" FNPT	1/2" FNPT	PVDF	841003250
1/8" FNPT	1/8" FNPT	PFA	841003210
1/4" FNPT	1/4" FNPT	PFA	841003240
1/2" FNPT	1/2" FNPT	PFA	841003270

INLET	OUTLET	D	D1	D2	H	h	a _{max}	L	L1	SW
1/8" FNPT	1/8" FNPT	0.59	0.79	0.79	2.99	0.87	0.24	1.26	0.31	0.67
1/4" FNPT	1/4" FNPT	0.79	0.98	0.98	3.72	1.16	0.28	1.48	0.31	0.87
1/2" FNPT	1/2" FNPT	1.18	1.26	1.26	4.63	1.34	0.35	1.97	0.55	1.06
16mm Bu \square	1/8" FNPT	0.59	0.63	0.79	3.31	1.18	0.24	1.26	0.31	0.67
16mm Bu \square	1/4" FNPT	0.79	0.63	0.98	3.94	1.38	0.28	1.48	0.31	0.87
20mm Bu \square	1/2" FNPT	1.18	0.79	1.26	4.67	1.38	0.35	1.97	0.55	1.06

STRAIGHT NEEDLE VALVE

INLET	OUTLET	MAT'L	PART #
1/8" FNPT	1/8" FNPT	PP	841003110
1/4" FNPT	1/4" FNPT	PP	841003140
1/2" FNPT	1/2" FNPT	PP	841003170
1/8" FNPT	1/8" FNPT	PVDF	841003100
1/4" FNPT	1/4" FNPT	PVDF	841003130
1/2" FNPT	1/2" FNPT	PVDF	841003160
1/8" FNPT	1/8" FNPT	PFA	841003120
1/4" FNPT	1/4" FNPT	PFA	841003150
1/2" FNPT	1/2" FNPT	PFA	841003180



INLET	OUTLET	D	D2	H	h	a _{max}	L	L1	SW
1/8" FNPT	1/8" FNPT	0.59	0.79	2.32	0.39	0.24	1.73	0.31	0.67
1/4" FNPT	1/4" FNPT	0.79	0.98	2.78	0.49	0.28	1.97	0.31	0.87
1/2" FNPT	1/2" FNPT	1.26	1.42	3.37	0.71	0.35	2.36	0.55	1.06

