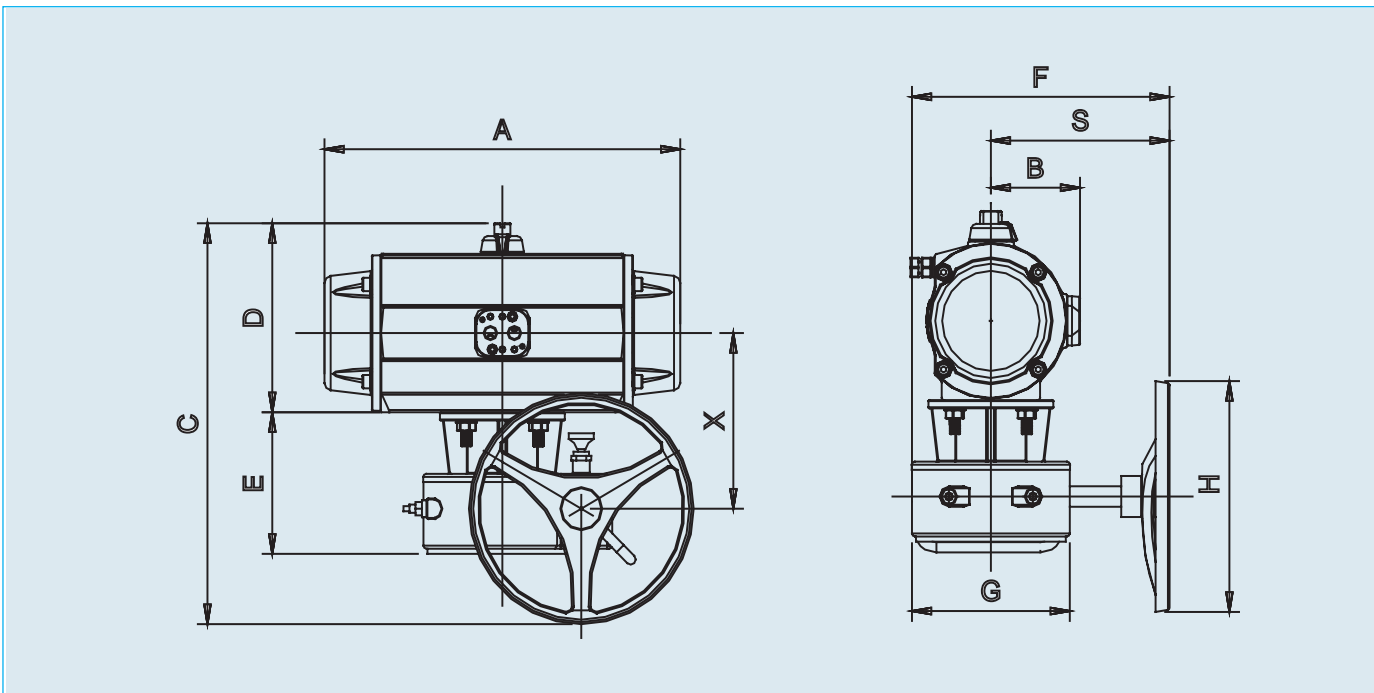


Declutchable Manual Override for Series 79P



Standard Features:

- Outout torque range of 1100 in/lbs through 65.938 in/lbs
- Polyester Coating
- End Position Travel Stop
- ISO Mounting
- Direct Mount



Dimensions

Model	Gearbox	A		B	C	D	E	F	G	S	H	X
		S.R	D.A									
B79PA	RD-415	5.98	5.98	2.05	10.51	4.37	4.57	7.40	4.65	5.08	5.51	5.08
B579PA	RD-415	7.91	7.91	2.45	11.18	5.04	4.57	7.40	4.65	5.08	5.51	5.31
C79PA	RD-415	8.82	8.82	2.48	11.34	5.20	4.57	7.40	4.65	5.08	5.51	5.43
C579P	RD-415	10.39	10.39	2.80	11.97	5.83	4.57	7.40	4.65	5.08	5.51	5.75
D79PA	RD-420	12.20	12.20	2.95	13.50	6.14	4.80	9.53	5.59	6.73	8.87	5.94
D579PA	RD-420	14.02	14.02	3.50	14.61	7.24	4.80	9.53	5.59	6.73	7.87	6.46
E79PA	RD-535	18.86	13.74	3.70	17.72	8.31	5.12	12.09	5.31	9.45	11.81	7.24
F79PA	RD-550.12	23.54	17.48	4.72	25.00	10.71	6.14	15.67	7.09	12.13	19.68	9.02
G79P	RD-560	27.32	20.63	5.31	29.84	12.32	7.91	20.28	11.10	14.88	23.62	10.94
L79P	RD-560	26.42	26.42	6.77	32.00	14.49	7.91	20.28	11.10	14.88	23.62	12.09
M79P	RD-370	29.25	29.25	8.50	38.00	16.85	8.23	22.24	13.58	16.10	31.50	12.91