

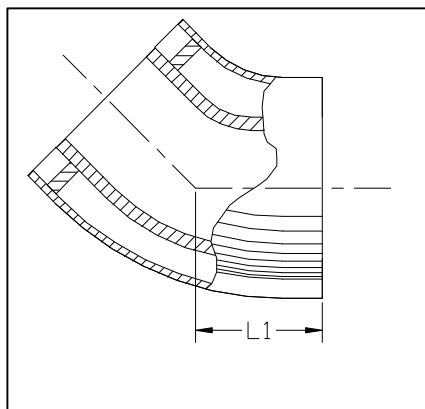


Asahi/America, Inc.
Duo-Pro Double Containment Pipe System

PVDF x PVDF

45° ELBOW

Part number: 6201



SIZE (Size Code)	L1 (in.)
*1 x 3 (134)	5.00
*2 x 4 (420)	5.00
3 x 6 (531)	6.00
4 x 8 (583)	6.00
6 x 10 (627)	6.00
8 x 12 (660)	8.00

1" – 2" SDR 21

3" – 12" SDR 33

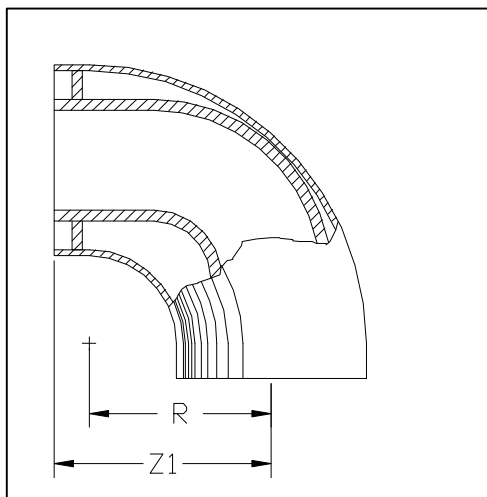


Asahi/America, Inc.
Duo-Pro Double Containment Pipe System

PVDF x PVDF

90° ELBOW

Part number: 6203



SIZE (Size Code)	Z1 (in.)	R (in.)
*1 x 3 (134)	4.06	3.58
*2 x 4 (420)	4.85	4.25
3 x 6 (531)	7.13	6.18
4 x 8 (583)	8.55	7.72
6 x 10 (627)	11.31	9.85
8 x 12 (660)	13.32	11.82

1" – 2" SDR 21
3" – 12" SDR 33

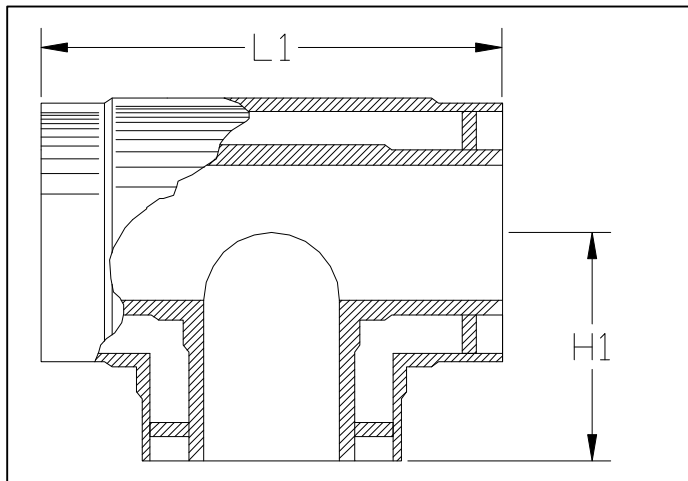


Asahi/America, Inc.
Duo-Pro Double Containment Pipe System

PVDF x PVDF

TEE

Part Number: 6205



SIZE (Size Code)	L1 (in.)	H1 (in.)
*1 x 3 (134)	7.13	3.62
*2 x 4 (420)	8.50	4.33
3 x 6 (531)	10.98	5.51
4 x 8 (583)	17.56	8.78
6 x 10 (627)	17.59	8.54
8 x 12 (660)	21.85	10.83

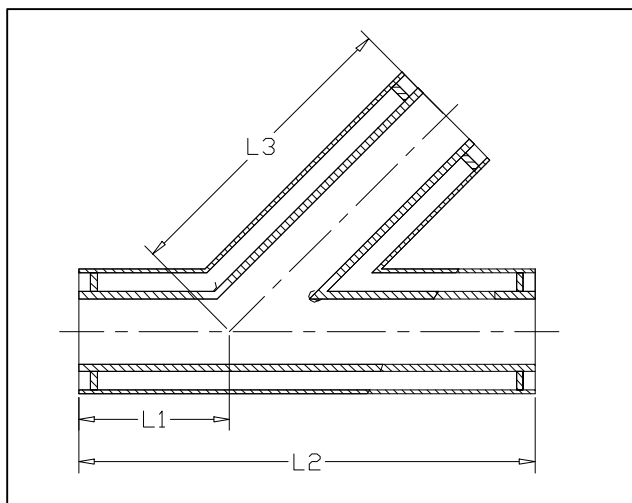
1" – 2" SDR 21
3" – 12" SDR 33



Asahi/America, Inc.
Duo-Pro Double Containment Pipe System

PVDF x PVDF
LATERAL

Part Number: 6209



SIZE (Size Code)	L1 (in.)	L2 (in.)	L3 (in.)
*2 x 4 (420)	6	18	12
3 x 6 (531)	8	24	16
4 x 8 (583)	10	30	20
6 x 10 (627)	12	36	24
8 x 12 (660)	14	42	28

1" – 2" SDR 21
3" – 12" SDR 33
Drainage Fitting

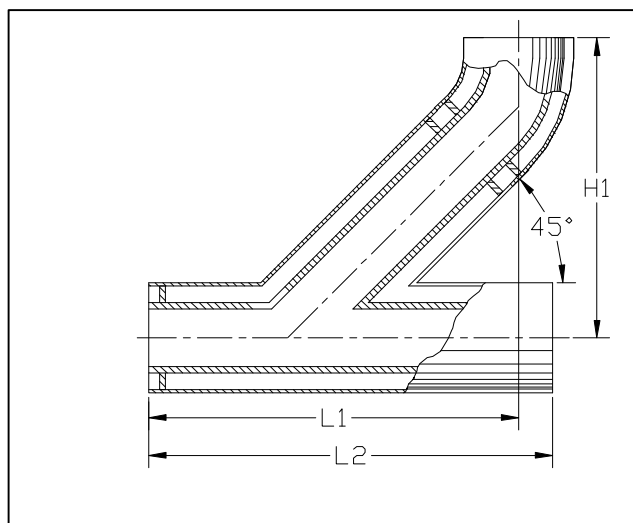


Asahi/America, Inc.
Duo-Pro Double Containment Pipe System

PVDF x PVDF

**LATERAL AND 1/8TH BEND
 COMBO**

Part Number: 6211



SIZE (Size Code)	L1 (in.)	L2 (in.)	H1 (in.)
2 x 4 (420)	18.0	18.0	16.5
3 x 6 (531)	23.25	24.0	21.5
4 x 8 (583)	28.5	30.0	24.0
6 x 10 (627)	33.0	36.0	26.75
8 x 12 (660)	38.125	42.0	30.375

1" – 2" SDR 21
3" – 12" SDR 33
 Drainage Fitting

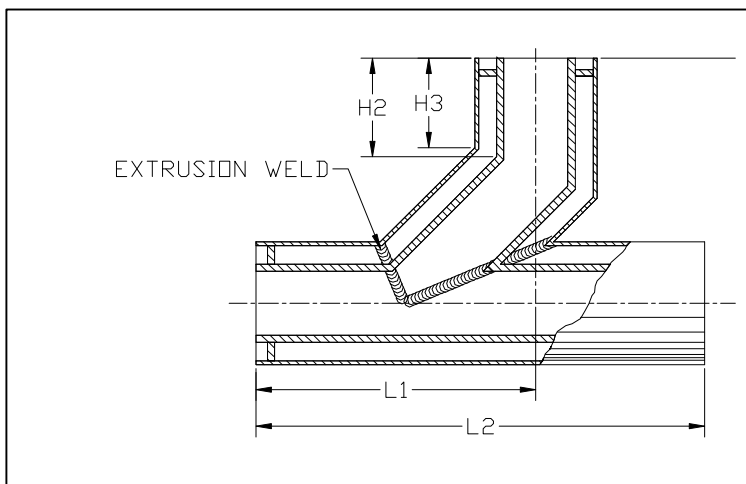


Asahi/America, Inc.
Duo-Pro Double Containment Pipe System

PVDF x PVDF

SANITARY TEE

Part Number: 6213



SIZE (Size Code)	L1 (in.)	L2 (in.)	H1 (in.)	H2 (in.)	H3 (in.)
*1 x 3 (134)	12	18	9	3	2 5/8
*2 x 4 (420)	12	18	9	3	2 5/8
3 x 6 (531)	16	24	12 1/9	4	3 3/8
4 x 8 (583)	20	30	15 3/8	5	4 1/4
6 x 10 (627)	24	36	18 1/2	5 3/4	5
8 x 12 (660)	28	42	21 3/4	6 1/2	5 5/8

1" – 2" SDR 21
3" – 12" SDR 33
 Drainage Fitting

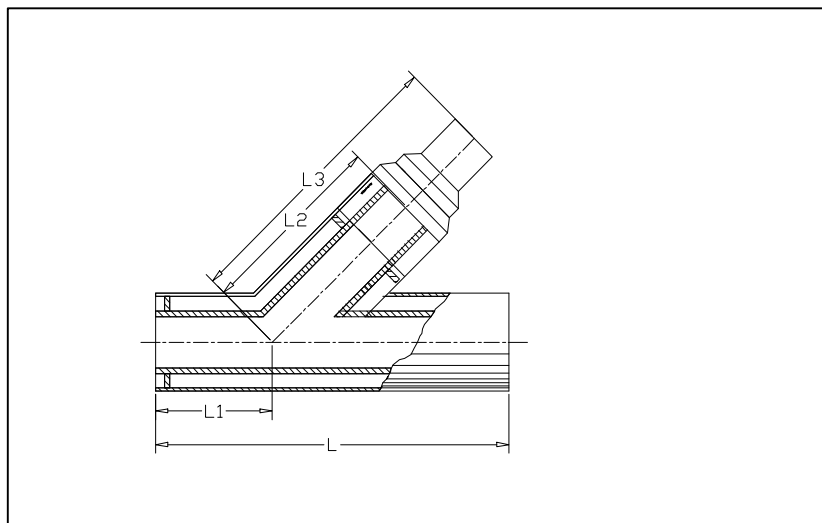


Asahi/America, Inc.
Duo-Pro Double Containment Pipe System

PVDF x PVDF

REDUCING LATERAL

Part Number 6219



SIZE (Size Code)	L1 (in.)	L (in.)	L2 (in.)	L3 (in.)
[3x2*][6x4](743)	8	24	10.25	16.50
[4x2*][8x4](744)	10	30	16.5	25.25
[4x3][8x6](746)	10	30	16.5	22.00
[6x3][10x6](747)	12	36	18.25	27.00
[6x4][10x8](748)	12	36	18.25	25.25
[8x3][12x6](896)	14	42	22.75	34.50
[8x4][12x8](895)	14	42	22.75	32.75
[8x6][12x10](893)	14	42	22.75	29.75

1" – 2" SDR 21
3" – 12" SDR 33
 Drainage Fitting

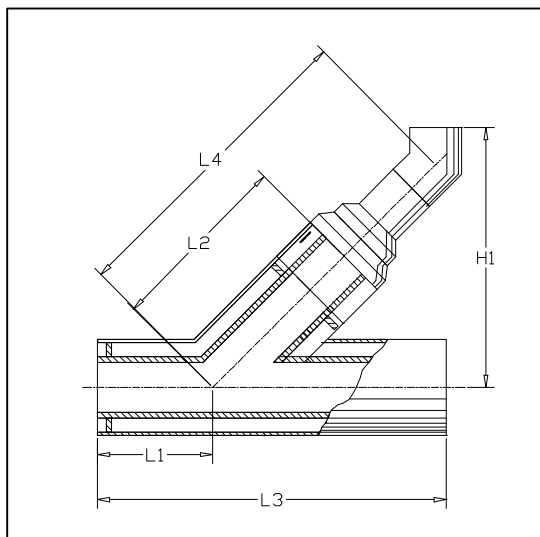


Asahi/America, Inc.
Duo-Pro Double Containment Pipe System

PVDF x PVDF

REDUCING COMBO

Part Number: 6221



SIZE (Size Code)	L1 (in.)	L2 (in.)	L3 (in.)	L4 (in.)	H1 (in.)
[3x2*][6x4](743)	8	10.25	24	21.50	20.25
[4x2*][8x4](744)	10	16.50	30	30.00	26.25
[4x3][8x6](746)	10	16.50	36	28.00	25.75
[6x3][10x6](747)	12	18.25	36	32.75	29.25
[6x4][10x8](748)	12	18.25	36	31.00	28.00
[8x3][12x6](896)	14	22.75	42	40.50	34.75
[8x4][12x8](895)	14	22.75	42	38.75	33.50
[8x6][12x10](893)	14	22.75	42	35.75	31.25

1" – 2" SDR 21
3" – 12" SDR 33
 Drainage Fitting



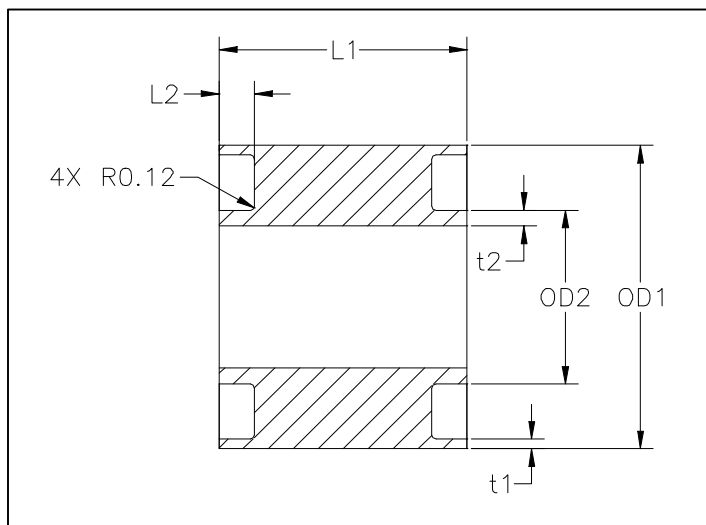
Asahi/America, Inc.

Duo-Pro Double Containment Pipe System

Duo-Pro PVDFxPVDF

DOGBONE

Part Number: 6226



SIZE (Size Code)	OD2 (in.)	OD1 (in.)	L1 (in.)	L2 (in.)	t2 (in.)	t1 (in.)	PROD. APR.
1 x 3 (134)	1.26	3.54	3.00	.50	.094	.110	
2 x 4 (420)	2.48	4.33	3.00	.50	.118	.134	
3 x 6 (531)	3.54	6.30	3.00	.50	.110	.193	
4 x 8 (583)	4.33	7.87	3.00	.50	.134	.244	
6 x 10 (627)	6.30	9.84	2.25	.50	.193	.303	
8 x 12 (660)	7.87	12.40	2.25	.50	.244	.382	

1" – 2" SDR 21

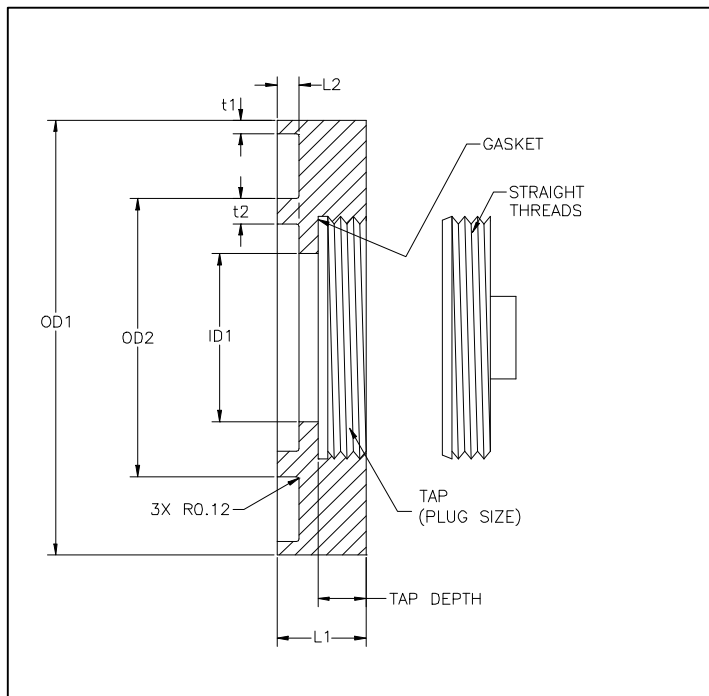
3" – 12" SDR 33



Asahi/America, Inc.
Duo-Pro Double Containment Pipe System

Duo-Pro PVDF X PVDF
CLEANOUT W/PLUG

Part Number 6243



SIZE (Size Code)	OD2 (in.)	OD1 (in.)	L1 (in.)	L2 (in.)	ID1 (in.)	t2 (in.)	t1 (in.)	NPT TAP (in.)	TAP DEPTH (in.)	PROD SIGN OFF
*1 x 3 (134)	1.26	3.54	3.0	.50	1.00	.094	.110	2	1.06	
*2 x 4 (420)	2.48	4.33	3.0	.50	2.00	.118	.134	2	1.06	
3 x 6 (531)	3.54	6.30	3.0	.50	2.50	.110	.193	3	1.26	
4 x 8 (583)	4.33	7.87	3.0	.50	3.00	.134	.244	4	1.26	
6 x 10 (627)	6.30	9.84	3.0	.50	5.00	.193	.303	6	1.26	
8 x 12 (660)	7.87	12.40	3.0	.50	5.00	.244	.382	6	1.52	

1" – 2" SDR 21
3" – 12" SDR 33

Drainage Fitting

Asahi/America, Inc. 35 Green Street Malden, MA 02148 Phone: 781-321-5409 Fax: 781-321-4421

www.asahi-america.com

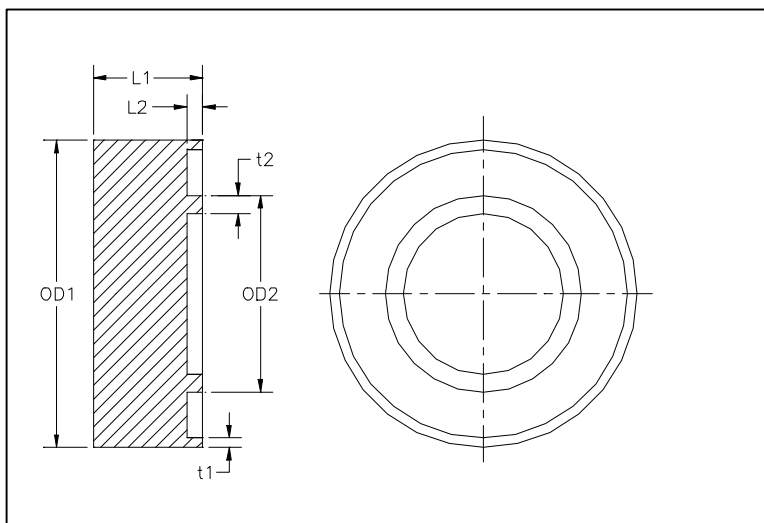
Rev A



Asahi/America, Inc.
Duo-Pro Double Containment Pipe System

**Duo-Pro PVDF
 CAP**

Part number: 6251



SIZE (Size Code)	OD2 (in.)	OD1 (in.)	L1 (in.)	L2 (in.)	t2 (in.)	t1 (in.)	INT.
1 x 3 (134)	1.26	3.54	2.0	.50	.094	.110	
2 x 4 (420)	2.48	4.33	2.0	.50	.118	.134	
3 x 6 (531)	3.54	6.30	2.0	.50	.110	.193	
4 x 8 (583)	4.33	7.87	2.0	.50	.138	.244	
6 x 10 (627)	6.30	9.84	2.0	.50	.197	.307	
8 x 12 (660)	7.87	12.4	2.0	.50	.244	.386	

1" – 2" SDR 21
3" – 12" SDR 33