



Series 92 Electric Actuators

Standard Features (Sizes 1-1/2" – 8")

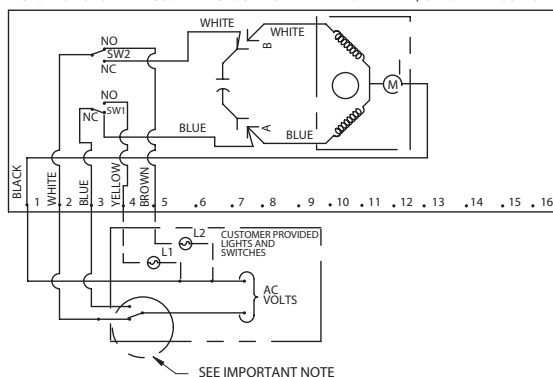
- Brushless, capacitor-run motors (AC models)
- Integral thermal overload protection with auto-reset (AC models)
- Permanently lubricated gear train
- Duty cycle 100% for high cycle applications
- Combination NEMA Type 4X, 7 and 9 enclosure with thermally bonded powder coating/304 SS trim
- ISO bolt circle
- Two 1/2" NPT conduit ports prevent interference between control and power signals
- Declutchable manual override
- Standard travel-stop limit switches can simultaneously be used for indicator lights
- Highly visible position indicator

Options

- Failsafe battery pack
- Extra limit switches
- Feedback potentiometer
- Heater and thermostat (to -40° F)
- Positioner: 4-20mA or 0-10VDC input
- 4-20mA output w/transmitter
- Voltages: 220 VAC, 24 VAC, 12 VAC, 24 VDC, 12 VDC
- Mechanical brake eliminates seating oscillation

AC Wiring (For 115 VAC and 220 VAC only)

ACTUATOR SHOWN IN COUNTER-CLOCKWISE EXTREME OF TRAVEL, OR "OPEN" POSITION



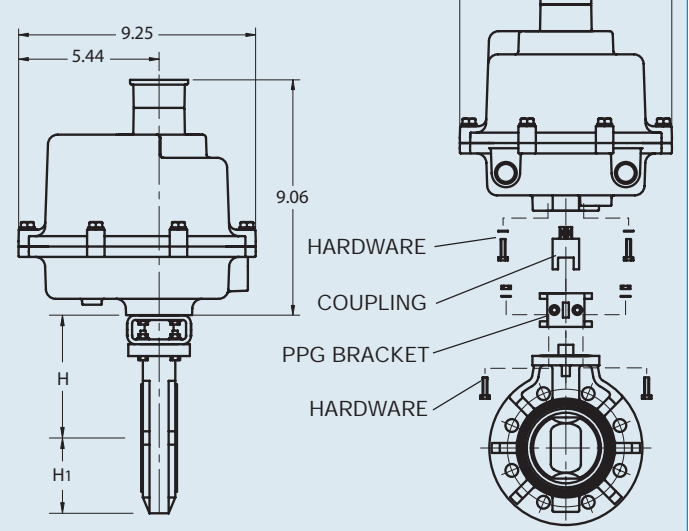
Specifications

Series 92: Motor Type – Reversing, 1/4 turn single phase
 Models – S92, A92, B92, C92 for sizes 1-1/2" – 8"
 Contact factory for sizes 10" – 24"
 Torque – 400 – 2000 in.-lbs.
 Voltage – 120 VAC, 50/60 Hz
 Max Ambient Temp – 150° F
 Switches – Two single pole, double throw (15 Amp rating)



UL - 508
Listed

SERIES 92 ON
TYPE 57 BUTTERFLY VALVE



Engineering Data

Duty cycle shown above is for 115 Vac at ambient temperature.

Actuator Model	Torque (in.-lbs.)	Duty Cycle	Cycle Time* (sec.)	Weight (lbs.)	Amp Draw					
					115 Vac	220 Vac	24 Vac	12 Vac	24 Vdc	12 Vdc
S92	400	100	15	15.3	0.5	0.4	3.0	2.0	4.0	2.0
A92	700	75	15	15.3	0.8	0.6	3.0	2.0	4.0	2.0
B92	1100	100	32	15.3	0.5	0.4	3.0	2.0	4.0	2.0
C92	2000	50	32	18.3	1.0	0.6	3.0	2.0	4.0	2.0

Cycle times are approximate.

(Contact factory for sizes above 8")

NOTE TO WIRING DIAGRAM:

1. EACH ACTUATOR MUST BE POWERED THROUGH ITS OWN INDIVIDUAL SWITCH CONTACTS TO AVOID CROSS FEED.
2. MOTOR LEADS "A" AND "B" ARE REVERSED FOR B92 & C92
3. MOTOR HAS A THERMAL PROTECTOR AS SHOWN BY (M) IN DIAGRAM. (115 AND 220 VAC MODEL).
4. IF 115 & 220 VAC MODELS ARE PLC DRIVEN, OUTPUT CONTACTS OF PLC SHOULD BE RATED AT A MINIMUM OF 1.5 TIMES REQUIRED INPUT VOLTAGE OF ACTUATOR.

Dimensions/ Actuator Model

NOMINAL SIZE		MODEL	H	H1
INCHES	mm			
1 1/2	40	S92	5.51	2.95
2	50	S92	5.75	3.27
2 1/2	65	S92	6.18	3.66
3	80	S92	6.46	3.94
4	100	S92	7.16	4.53
5	125	A92	8.46	5.00
6	150	B92	8.97	5.63
8	200	C92	11.25	6.70

ASAHI/AMERICA

Rev. F 8-11