



Series 94 Electric Actuators

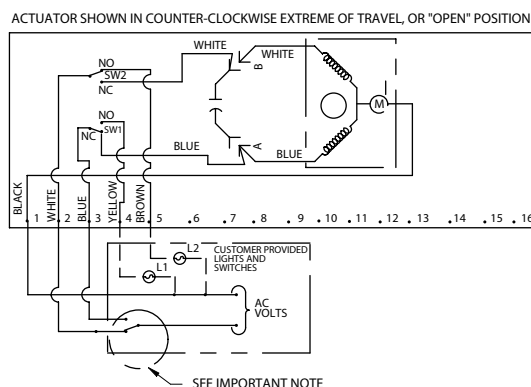
Standard Features (Sizes 1/2" – 3")

- Brushless, capacitor-run motors (AC models)
- Integral thermal overload protection with auto-reset (AC models)
- Permanently lubricated gear train
- Duty cycle 100% for high cycle applications
- Corrosion-proof/weatherproof Type 4X thermoplastic housing with stainless steel trim
- ISO bolt circle
- Two 1/2" NPT conduit ports prevent interference between control and power signals
- Compact design
- Declutchable manual override
- Standard travel-stop limit switches can simultaneously be used for indicator lights
- Visible position indicator

Options


- Extra limit switches
- Feedback potentiometer
- Heater and thermostat (to -40° F)
- Positioner: 4-20 mA or 0-10 VDC input signal
- 4-20 mA output position transmitter
- Voltages: 220 Vac, 24 VAC, 12 VAC, 24 VDC, 12 VDC
- Mechanical brake eliminates seating oscillation

AC Wiring (For 115 VAC and 220 VAC only)

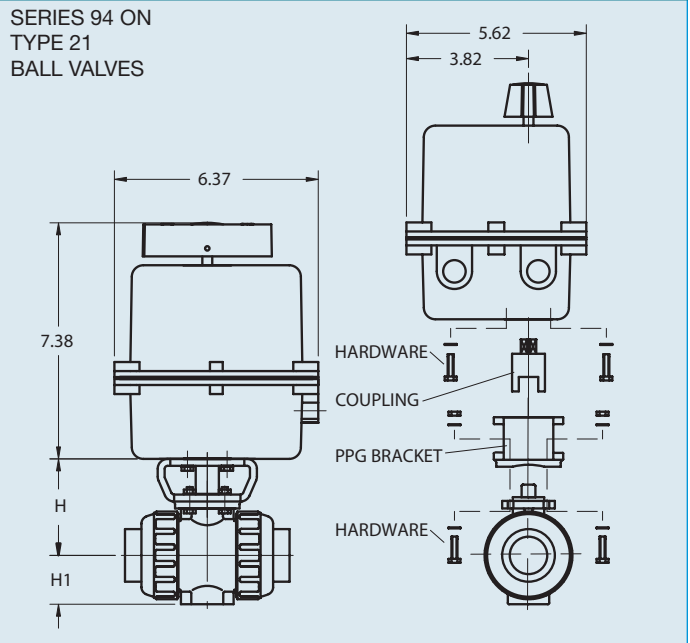


Specifications

Series 94: Motor Type – Reversing, 1/4 turn, single phase
 Sizes – A94, B94 for sizes 1/2" – 3" ball valves
 Torque – 150 to 300 in-lbs
 Voltage – 120 VAC, 50/60 Hz
 Amp Draw – For A94: .50 Amps
 For B94: .80 Amps
 Max Ambient Temp – 150° F
 Switches – Two single pole, double throw (15 Amp rating)



UL-508 Listed



Engineering Data

Actuator Model	Torque (in-lbs)	Duty Cycle	Cycle Time (sec)	Weight (lbs)	Amp Draw					
					115 Vac	220 Vac	24 Vac	12 Vac	24 Vdc	12 Vdc
A94	150	100	5	3.5	0.50	0.4	4.0	2.0	4.0	2.0
B94	300	75	5	3.5	0.80	0.6	4.0	2.0	4.0	2.0

Duty cycle shown above is for 115 VAC at ambient temperature.

NOTE TO WIRING DIAGRAM:

1. EACH ACTUATOR MUST BE POWERED THROUGH ITS OWN INDIVIDUAL SWITCH CONTACTS TO AVOID CROSS FEED.
2. WIRING AS SHOWN IS FOR A94 AND B94 MOTOR.
3. MOTOR HAS A THERMAL PROTECTOR AS SHOWN BY (M) IN DIAGRAM. (115 AND 220 VAC MODEL).
4. IF 115 & 220 VAC MODELS ARE PLC DRIVEN, OUTPUT CONTACTS OF PLC SHOULD BE RATED AT A MINIMUM OF 1.5 TIMES REQUIRED INPUT VOLTAGE OF ACTUATOR.

Dimensions

NOMINAL SIZE		H	H1
INCHES	mm		
1/2	15	2.76	1.14
3/4	20	3.01	1.38
1	25	3.29	1.54
1 1/4	32	3.64	1.85
1 1/2	40	3.98	2.17
2	50	4.43	2.60
2 1/2	65	5.12	2.83
3	80	5.47	3.35