

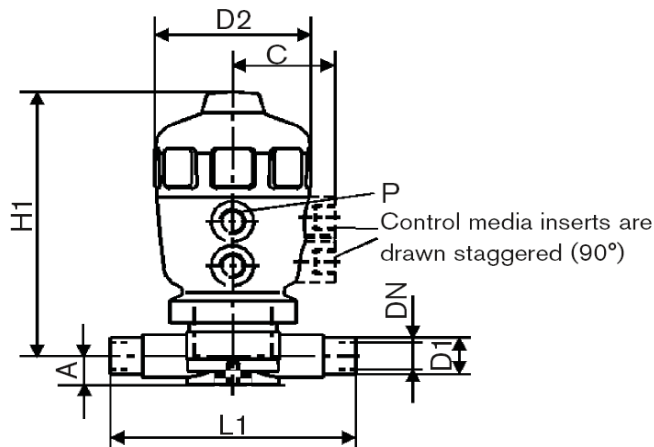
## High Purity Diaphragm Valve Actuators & Accessories

- Normally Open, Closed & Air/Air
- Electric/Mechanical Position Sensor
- Electric/Pneumatic Actuator
- Stroke Limitor
- Remote Control (Field Bus) Capable

### SPECIFICATION

All actuators are designed to be easily installed on Asahi/America High Purity Diaphragm Valves including T-342 & T-343 Purad PVDF, PolyPure PPN & Proline PP. Valves come assembled from the factory with actuator.

### DIMENSIONAL INFORMATION



DN	Drive	C	D1	D2	P
15	63	52	20	80	G1/4
20	80	60	25	101	G1/4
25	80	60	32	101	G1/4
32	100	73	40	127	G1/4
40	100	73	50	127	G1/4
50	125	86	63	153	G1/4

Consult Asahi/America for configuration specific dimensions



### PILOT PRESSURE FOR NC

DN	Drive	Pm=0	Pm=max
15	63	72.5	50
20	80	72.5	58
25	80	72.5	58
32	100	80	58
40	100	80	58
50	125	80	58

Pm = Media Pressure  
Pressure in PSI

### MATERIALS OF CONSTRUCTION

