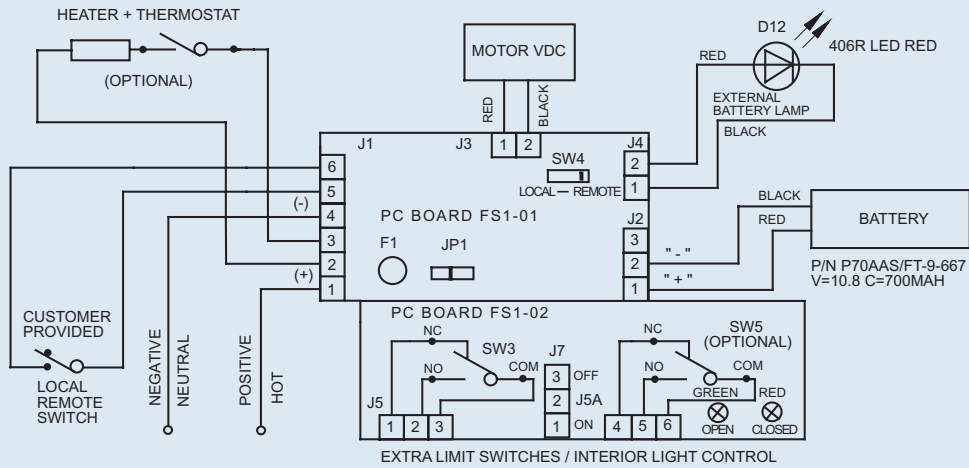


Series 92, 94 & 87 Wiring Schematics

Wiring Diagram for Series 92 & 94 with Protek Failsafe Battery Pack

Motor Leads at J3 reversed for B + C92



Wiring Diagram for Series 87 115/230VAC

