

## High Temperature Pneumatic Actuator



The HT Series Pneumatic Actuator has been specifically designed for valves that are installed on or close to furnaces, boilers, kilns, reactor vessels; or valves handling thermal fluids in heat exchangers, thermal transfer equipment, process vessels, etc. Typically the valves are insulated, however, conductive and radiant heat can increase the temperature around the actuator to levels higher than recommended for our standard pneumatic actuator (195°F).

With this in mind, the HT Series Actuator was developed. Dimensions and operation are the same as our standard Series 79 Pneumatic Actuators, however; the materials of construction have been re-engineered to allow for temperatures up to 450°F.

### Externals:

The body and end caps are die-cast aluminum alloy specially treated to prevent deformation at high temperatures, and fully jacketed in Xylan®.

### Internals:

The shaft and pinion are 303 SS, the pistons are bichromated steel with graphite-filled PTFE piston guides, and FKM (VITON) O-rings. Spring return models have SS captive spring sets.

### Double Acting

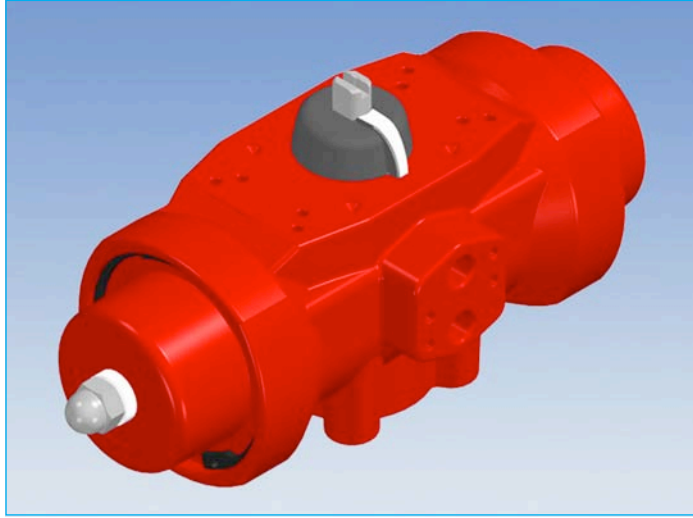
Model No.	Output Torque IN/LBS	Weight LBS
BHT79P	199	3.2
CHT79P	567	6.4
DHT79P	1325	12.9
EHT79P	3776	26.3

Note: Torque based on 80psi Air Supply

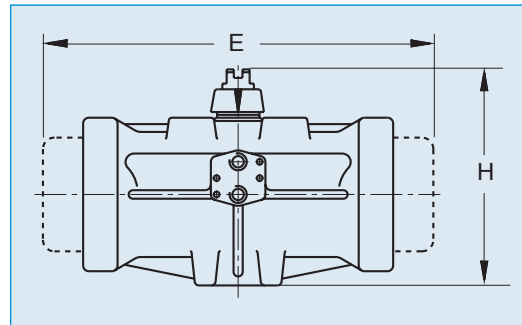
### Single Acting

Model No.	Output Torque IN/LBS	Weight LBS
BHT79PS	62	3.7
CHT79PS	230	8.2
DHT79PS	416	17.4
EHT79PS	1433	41

## 180° Pneumatic Actuator



The 180° Actuator is for a 3-way or multiport valve, diverting flow from left port to right port and is available with an optional center-off position. This actuator is offered in cataphoresis and rilsan coated aluminum (inside and outside) with a cataphoresis coated aluminum alloy rack and SS pinion. Mounting dimensions are the same as our standard pneumatic actuators (see page 144 for mounting details), output torques are different; please see table below.



### Double Acting

Model No.	Output Torque in/lbs	E Dimensions Inches	H Dimensions Inches	Weight LBS
C79P-180	354	9.76	5.00	8.6
D79P-180	783	11.65	6.34	10.8
E79P-180	2049	18.46	8.31	21.3

Note: Torque based on 80psi Air Supply

### Single Acting

Model No.	Output Torque in/lbs	E Dimensions Inches	H Dimensions Inches	Weight LBS
C79P-180	160	11.89	5.00	10
D79P-180	303	14.72	6.34	14.9
E79P-180	783	23.58	8.31	36.2

Note: Torque based on 80psi Air Supply