

Series 79P PST-202 SMART (Electro-Pneumatic)



Standard Features

- Simple calibration of positioner with Autocal pushbuttons located inside of positioner housing
- Transmitter
- Type 4X Enclosure
- Corrosion Resistant Polyester Powder Coated Enclosure
- SS Trim
- LCD Visual Position Indication shown in percentage
- Pressure Gauges
- 1/2" Conduit Entry
- 1/4" NPT Air Connection
- Split Range Capability
- Reverse Acting Capability
- Temperature limit of 185° F

Options

- 2-SPDT Mechanical Switches
- Hart Capability
- 316SS Enclosure
- ATEX Enclosure

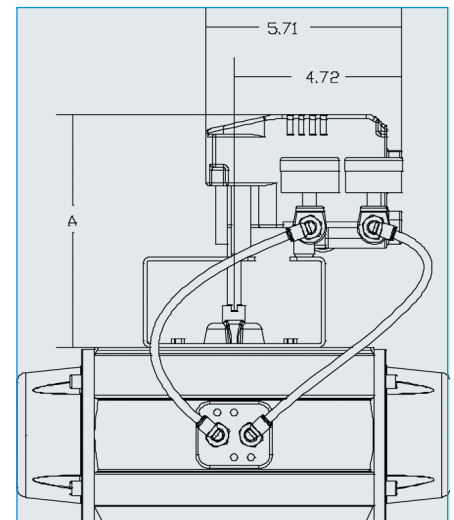
Specifications

Input Current: 4 to 20mA
Supply Air Pressure: 60 to 100psi
Resolution: 0.2% of Span
Linearity: (plus/minus) 0.51% of Span
Hysteresis: 0.5% of Span
Repeatability: 0.2% of Span
Air Connections: 1/4" NPT
Conduit Entry: 1/2" NPT

Sample Specification

All PST-202 I/P modulating valves shall be equipped with the PST-202 SMART (Electro-Pneumatic) Positioner. Positioner housing shall be polyester powder coated meeting Type 4X, with SS shaft and hardware, and visual position indication (LCD). Positioner shall be Autocal design, equipped with pressure gauges, and a transmitter as supplied by Asahi America, Inc.

ACTUATOR	A
A79P	6.22
B79P	6.61
B579P	6.61
C79P	6.61
C579P	6.61
D79P	6.61
D579P	6.61
E79P	6.61
F79P	7.40
G79P	7.40
L79P	7.40
M79P	7.40



Series 79P PST-101 Pneumatic Positioner



Specifications

Input Signal: 3-15 psi
Supply Air Pressure: 60 to 100 psi
Air Consumption: 0.4 CFM @ 60 psi
Linearity: (plus/minus) 2% of Span
Hysteresis: (plus/minus) 1% of Span
Repeatability: (plus/minus) 0.5% of Span
Conduit Entry: 1/2" NPT
Air Connection: 1/4" NPT

Sample Specification

All PST-101 modulating valves shall be equipped with the PST-101 Pneumatic Positioner. Positioner housing shall be polyester powder coated meeting Type 4X, with SS shaft and hardware, and visual position indication. Positioner shall be capable of operating in high vibration environments with short and precise response time, equipped with pressure gauges, and be a low air consumption unit as supplied by Asahi America, Inc.

Standard Features

- Simple calibration of positioner with independent Zero and Span
- Short and precise response time
- Type 4X Enclosure
- Corrosion Resistant Polyester Powder Coated Enclosure
- SS Trim
- Low air consumption
- Pressure Gauges
- 1/4" NPT Air Connection
- Can operate in high vibration environments
- Reverse Acting Capability
- Temperature limit of 185° F

Options

- 2-SPDT Mechanical Switches
- 2-SPST Inductive Switches
- 4-20mA Transmitter

ACTUATOR	A
A79P	5.04
B79P	5.43
B579P	5.43
C79P	5.43
C579P	5.43
D79P	5.43
D579P	5.43
E79P	5.43
F79P	6.22
G79P	6.22
L79P	6.22
M79P	6.22

