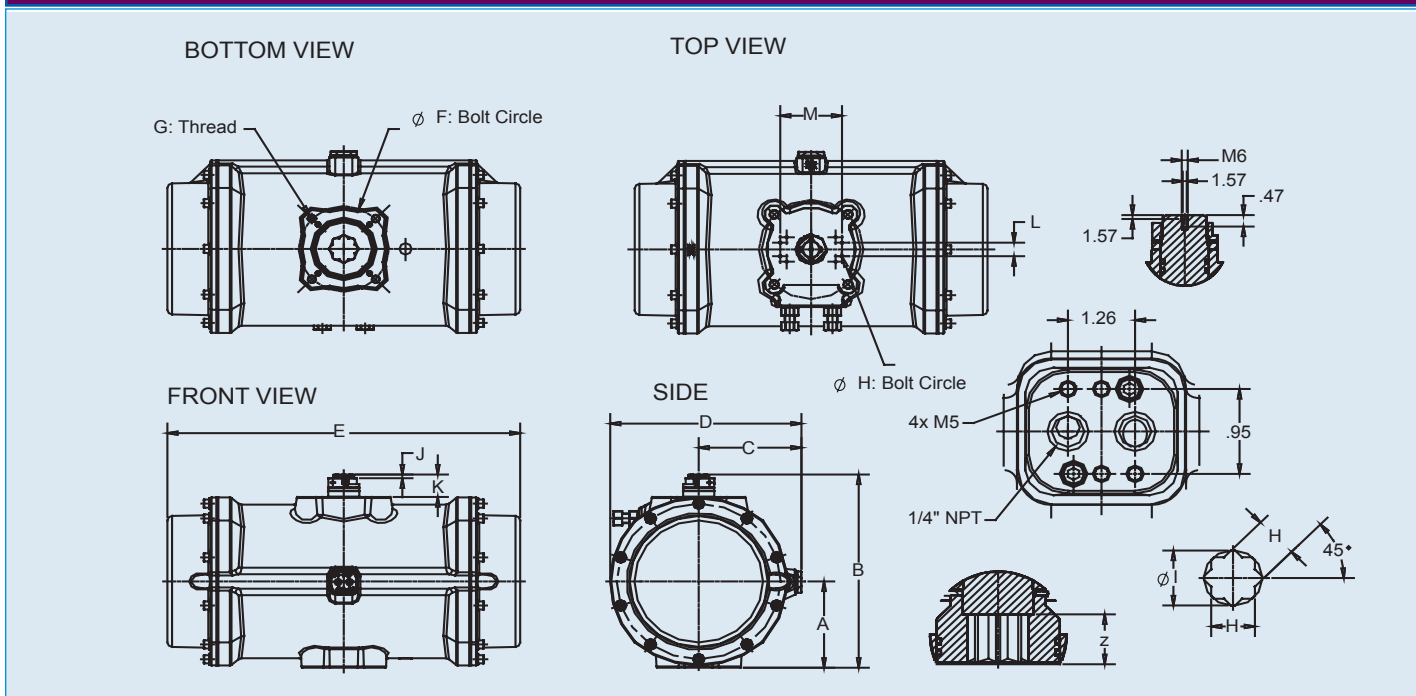


# Aluminum Pneumatic Actuators P Series



## Dimensions (IN.)

Model	A	B	C	D	E		F	G	H	I	J	K	L	M	Z
					A-A	A-S									
E79P	3.78	8.31	3.70	6.97	13.74	18.86	4.02	10 mm	1.06	1.44	0.43	1.18	1.18	3.15	1.18
F79P	4.57	10.71	4.72	8.90	17.48	23.54	4.92	12 mm	1.42	1.93	0.79	1.97	1.18	5.12	1.50
G79P	5.24	12.32	5.32	10.14	20.63	27.32	5.51	16 mm	1.42	1.93	0.79	1.97	1.18	5.12	1.50
M79P	7.52	16.85	8.50	15.85	29.23	29.23	6.50	20 mm	1.81	2.40	0.32	1.97	1.18	5.12	2.05

## Air Consumption (Cubic Inches.)

Model No.	Air to Air		Air to Spring
	Open Port A	Close Port B	Air Stroke
E79P	125.10	115.95	125.10
F79P	323.43	323.43	323.43
G79P	640.75	427.17	640.75
M79P	1896.74	1830.71	1891.74

## Cycle Time (Seconds per Stroke)

Model No.	Air to Air		Air to Spring	
	Open Port A	Close Port B	Open Port A	Close Port B
E79P	0.60	0.60	1.20	1.20
F79P	1.20	1.20	2.00	2.00
G79P	2.00	2.00	6.00	6.00
M79P	6.00	6.00	15.00	10.00

Note: Actuator supplied with 80 psi, and no load

## Weight (In Pounds)

Model No.	Aluminum	
	A-A	A-S
E79P	20.02	34.98
F79P	38.80	80.20
G79P	67.50	128.50
M79P	171.74	260.59