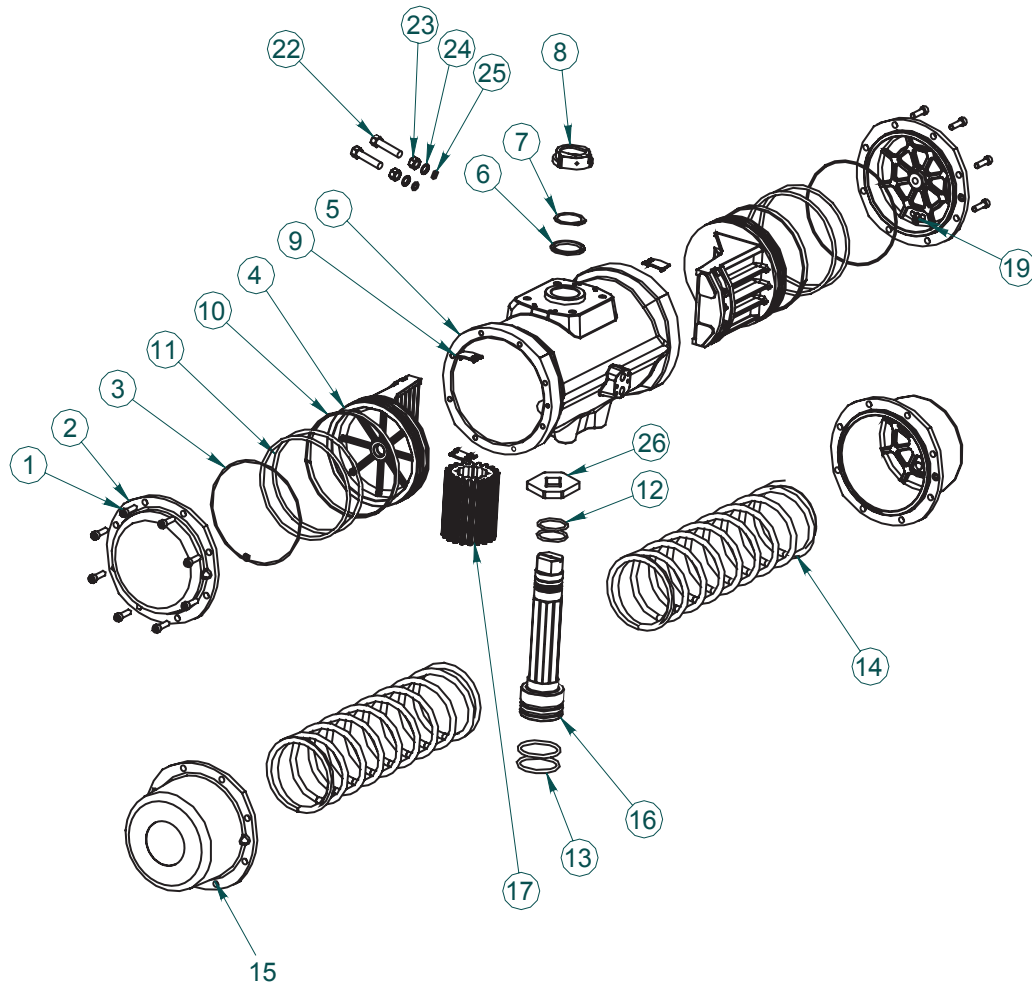


Aluminum Pneumatic Actuators E, F & G79



Parts List (E79P, F79P & G79P)

PARTS			
NO.	DESCRIPTION	PCS.	MATERIAL
1	End Cap Bolt*	16	304 Stainless Steel
2	Double Acting End Cap	2	Cataphoresis & Rilsan Coated Aluminum Alloy
3	End Cap O-Ring	2	NBR
4	Piston	2	Aluminum Alloy
5	Actuator Body	1	Cataphoresis & Rilsan Coated Aluminum Alloy
6	Washer	1	Polyamide 6
7	Shaft Retaining Ring	1	Nickel PTFE Coated Steel
8	Position Indicator	1	Polyamide for E79 - PP for F79 & G79
9	Piston Guide	4	PTFE + Bronze
10	Guide Ring	2	PTFE + Bronze
11	Piston O-Ring	4	NBR
12	Upper Shaft O-Ring	2	NBR
13	Lower Shaft O-Ring	2	NBR
14	Spring Set	2	Cataphoresis Coated DIN-17223-C
15	Spring Return End Cap	2	Cataphoresis & Rilsan Coated Aluminum Alloy
16	Shaft	1	Cataphoresis Coated Steel
17	Piston Gear	1	Aluminum Alloy
19	End Cap Gasket	2	NBR
22	Adjustment Bolt	2	Steel
23	Adjustment Locknut	2	304 Stainless Steel
24	Bushing	2	303 Stainless Steel
25	Travel Stop O-Ring	2	NBR
26	Travel Stop Cam	1	Zinc Coated Steel

* E79 uses 12 Allen Screws